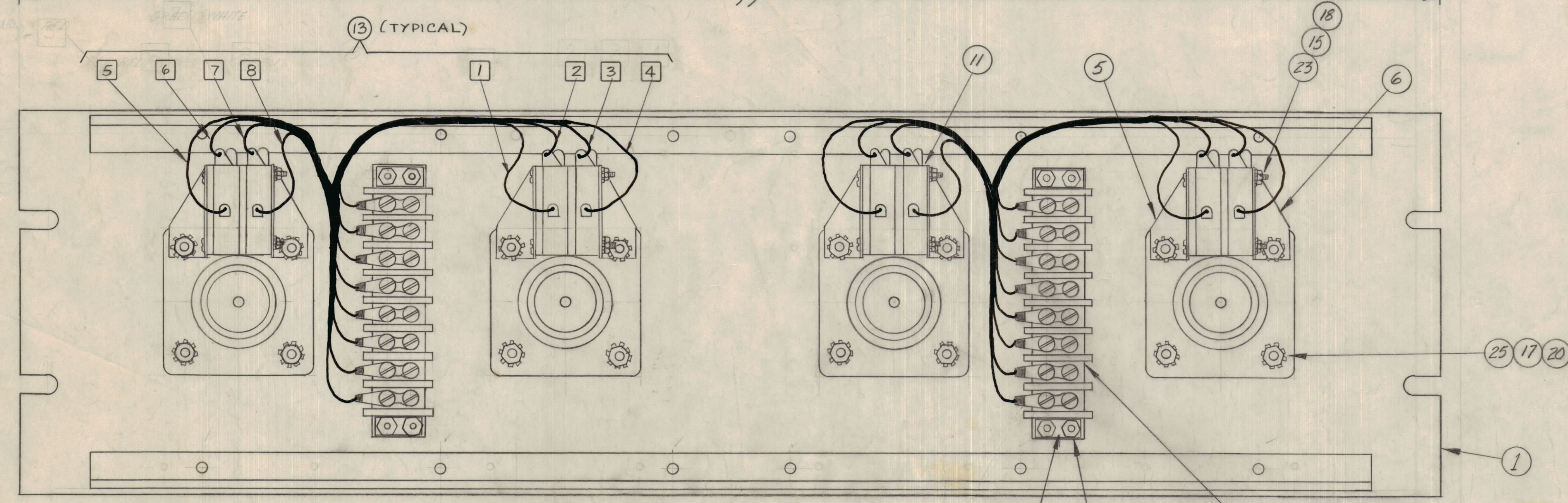
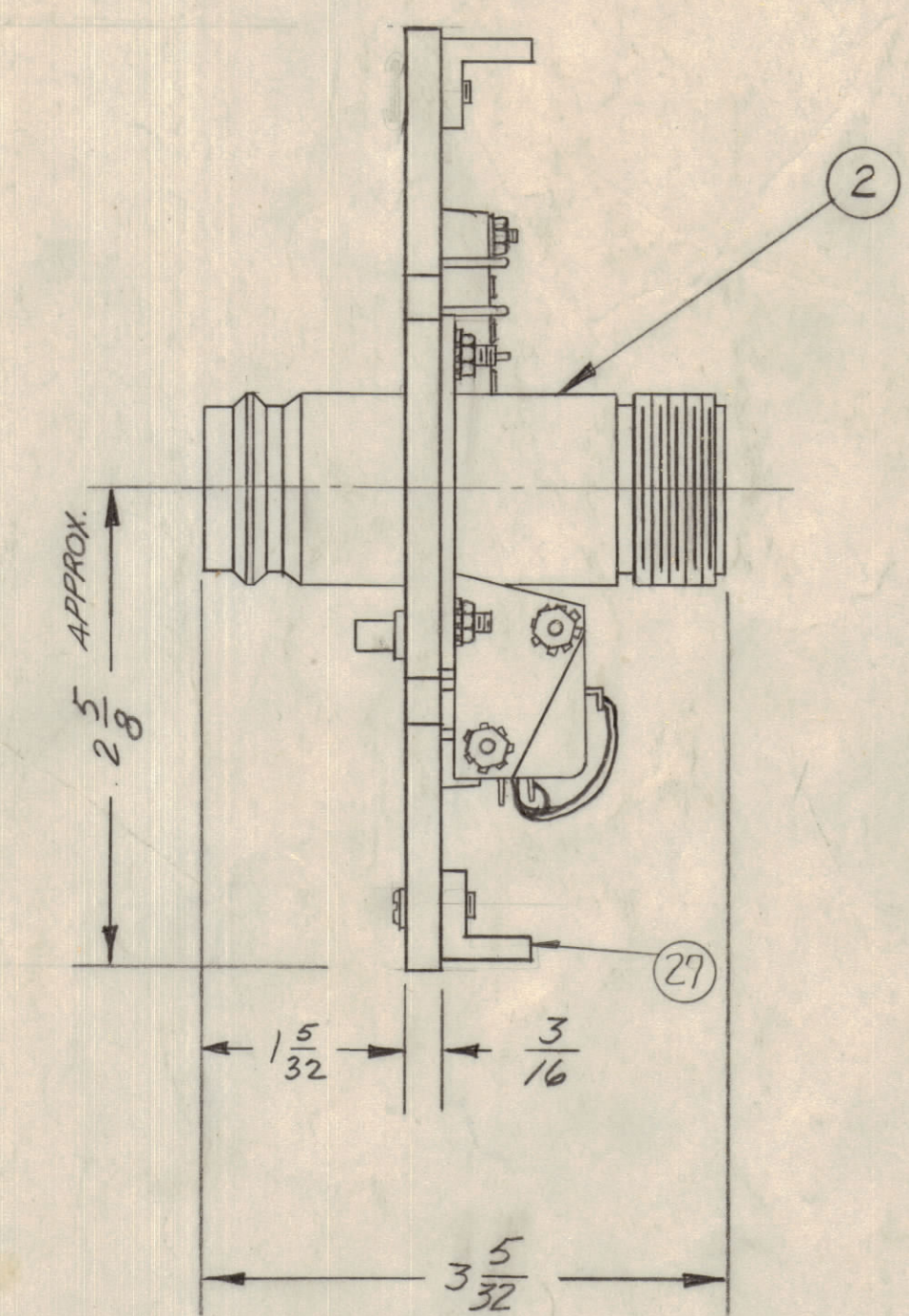
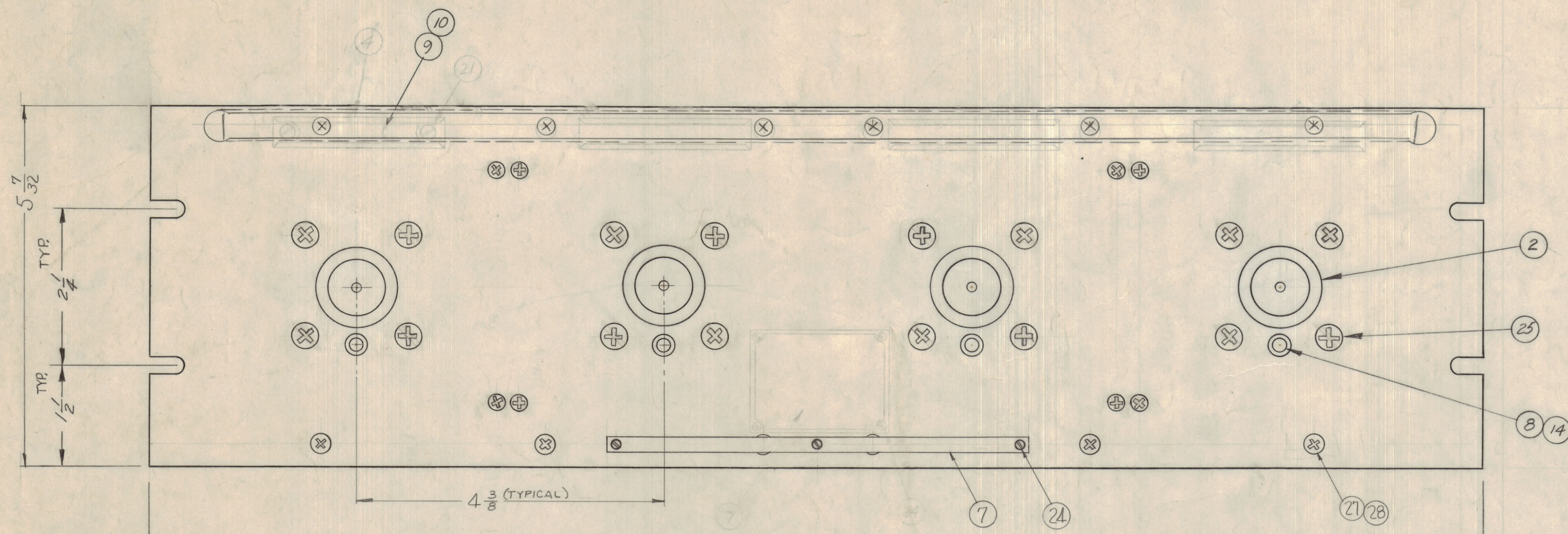


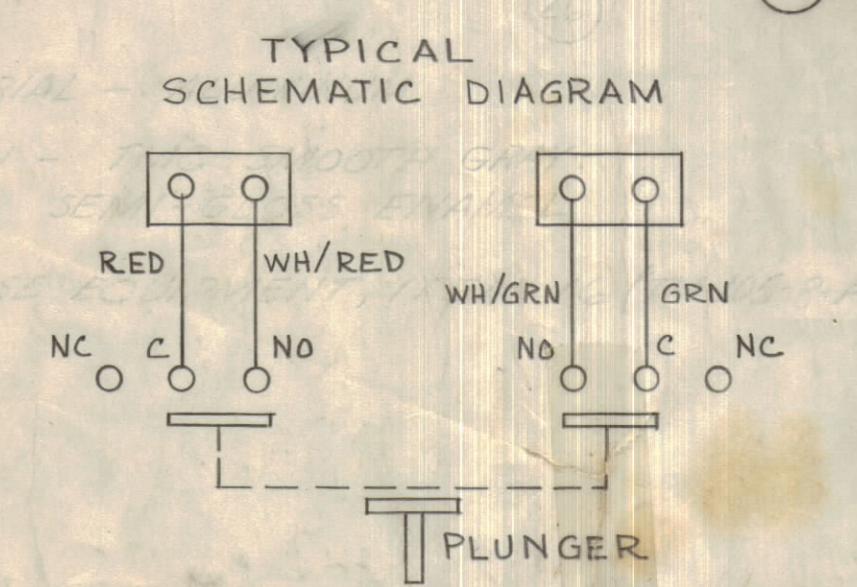
NOTICE TO PERSONS RECEIVING THIS DRAWING
 THE TECHNICAL MATERIEL CORPORATION claims proprietary right in the material disclosed herein. This drawing is issued in confidence for engineering information only and may not be re-produced or used to manufacture any part shown hereon without permission from THE TECHNICAL MATERIEL CORPORATION to the user. This drawing is loaned for mutual assistance and is subject to recall at any time.
 Property of:
 THE TECHNICAL MATERIEL CORPORATION
 MAMARONECK, NEW YORK



| REQ. ITEM | PART NO. | DESCRIPTION | SYMBOL |
|-----------|--------------|-------------------------------|--------|
| X 29 | S-716 | TEST PROCEDURE | |
| 12 28 | SCFP0632BN5 | SCREW, MACHINE | |
| 2 27 | PM-490 | BRACE PANEL | |
| + 26 | DELETED | | |
| 16 25 | SCFP1032BN9 | SCREW, MACHINE | |
| 3 24 | SFB0256SN3 | SCREW, THREAD CUTTING | |
| 8 23 | SCBP0440BN16 | SCREW, MACHINE | |
| 8 22 | SCFP0440BN10 | SCREW, MACHINE | |
| - 21 | DELETED | | |
| 16 20 | NTH1032BN10 | NUT, HEX | |
| 8 19 | NTH0440BN8 | NUT, HEX | |
| 8 18 | NTH0440BN6 | NUT, HEX | |
| 16 17 | LWE10MRC | LOCKWASHER, EXTERNAL | |
| 2 16 | TM-105-8-AR | FANNING STRIP (LOOSE ITEM) | |
| 16 15 | LWE04MRC | LOCKWASHER, EXTERNAL | |
| 4 14 | BB-115 | BEARING, OILITE (PID A-1349) | |
| 2 13 | CA-345 | CABLE ASSEMBLY | |
| 2 12 | TM-102-8 | TERMINAL SWITCH, BARRIER TYPE | |
| 8 11 | SW-189 | SWITCH, MICRO, PUSH | |
| 4 10 | PX-250 | FREQUENCY TAB | |
| 4 9 | PX-249 | GUARD, FREQ. TAB | |
| 4 8 | PM-427-1 | PLUNGER, SWITCH | |
| 1 7 | NP-250 | NAMEPLATE | |
| 4 6 | MS-987 | BRACKET, SWITCH, RIGHT | |
| 4 5 | MS-986 | BRACKET, SWITCH, LEFT | |
| - 4 | DELETED | | |
| 4 3 | MS-154-1 | STRADDLE PLATE | |
| 4 2 | JJ-174 | CONNECTOR, RECEPTACLE | |
| 1 1 | A-1349-1 | FRONT PANEL | |

| SYM | ZONE | DESCRIPTION | DATE | CH. NO. | DRAFTS | CHECKER | ENG. APP. |
|-----|------|--|--------|---------|--------|---------|-----------|
| C | | ITEM 4 MS6766 ITEM 21 0348 THD SCREW MACHINE DELETED - PICTORIAL UPDATED | 4-4-64 | 2050 | GDL | | |
| B | E3 | ITEM 25 WAS SCFP1032BN9 | 5/4/64 | 11303 | A.M. | | |
| A | | 1A, D1 TYPICAL SCHEM DIAG ADDED; DIM. ADDED 1 5/32, 82, D2 ITEM 16 WAS 1 DE81, ITEM 29 ADDED | | | | | |
| | | 22 ITEM (2) TE-120-2, LREQ DELETED | | | | | |
| | | C2 ITEM (2) WAS SCBP0440BN10 (2) WAS SCBP0348B54 | | | | | |
| | | C2 ITEM (2) WAS SCBP0256SN3, 4 REQ. | | | | | |
| | | C2, E2 ITEM (2) (2) ADDED, ITEM (2) WAS NP-102-14 | | | | | |

- ITEM 13 INSTALLATION (COLOR CODE)
- | | |
|---------------|---------------|
| 1 RED | 5 RED |
| 2 WHITE/RED | 6 WHITE/RED |
| 3 WHITE/GREEN | 7 WHITE/GREEN |
| 4 GREEN | 8 GREEN |



NOTE:
 ITEM 16 SUPPLIED AS LOOSE ITEM

| REQ. PER UNIT | MODEL | SECTION | ASSY. NO. | DATE |
|---------------|-----------|---------|-----------|---------|
| | QDP-9C254 | | | 1-10-62 |

| THE TECHNICAL MATERIEL CORP. MAMARONECK, NEW YORK | | | |
|--|---------|--|--|
| STOCK SIZE | | ALUMINUM | |
| QUICK DISCONNECT PATCH PANEL ASSEMBLY (LC TO QDL) | | | |
| DRAWN | CHECKED | FINAL APPROVAL | |
| WH | RUFFO | JM | |
| TYPE & TEMPER | | HEAT TREAT. SPEC. | |
| TMC SMOOTH GREAT SEMI-GLOSS ENAMEL | | QDP-9C254 C | |
| FINISH & SPEC. NO. | | ELEC. DES. APP. MECH. DES. APP. SHEET OF | |

QDP-9C254 C