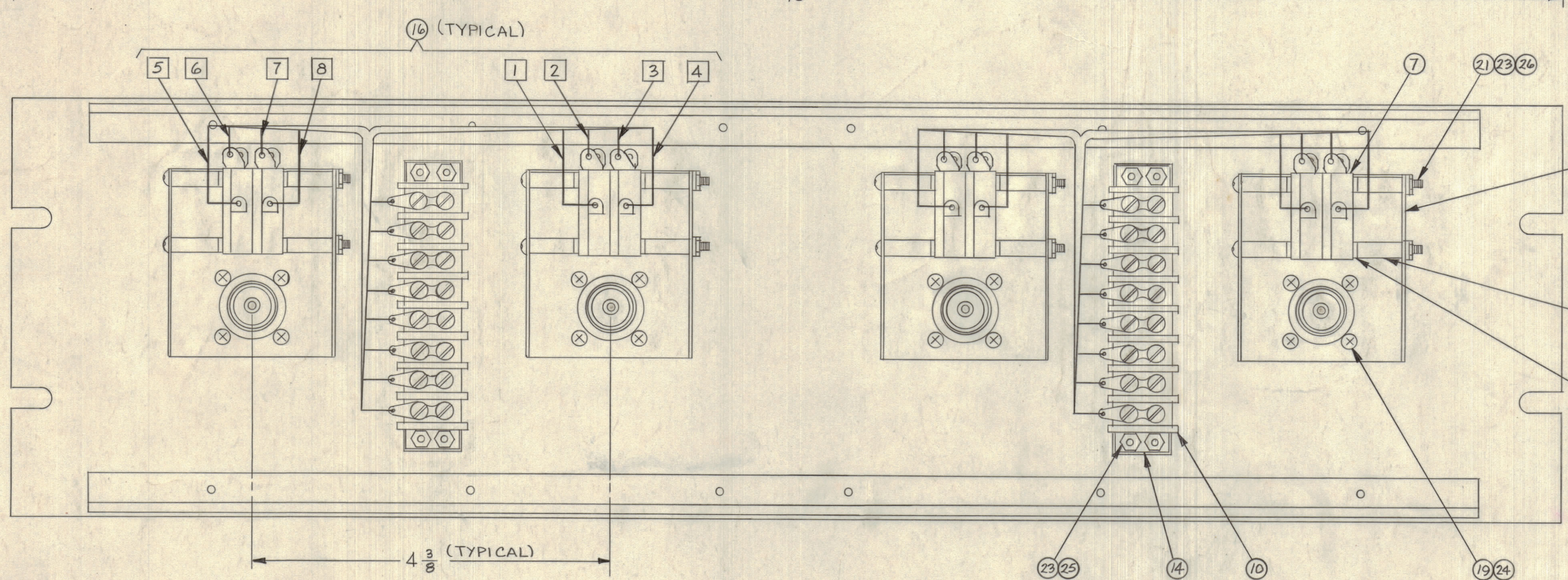
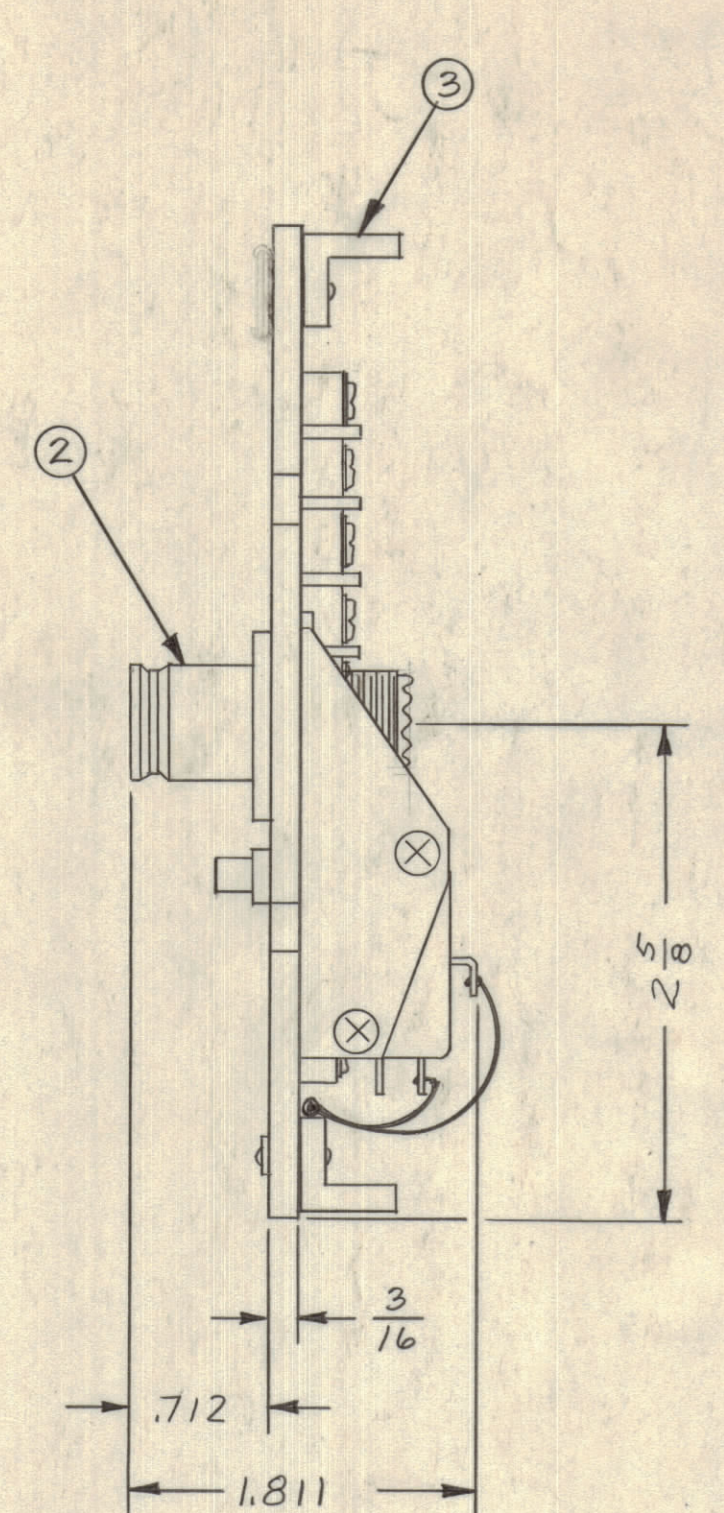
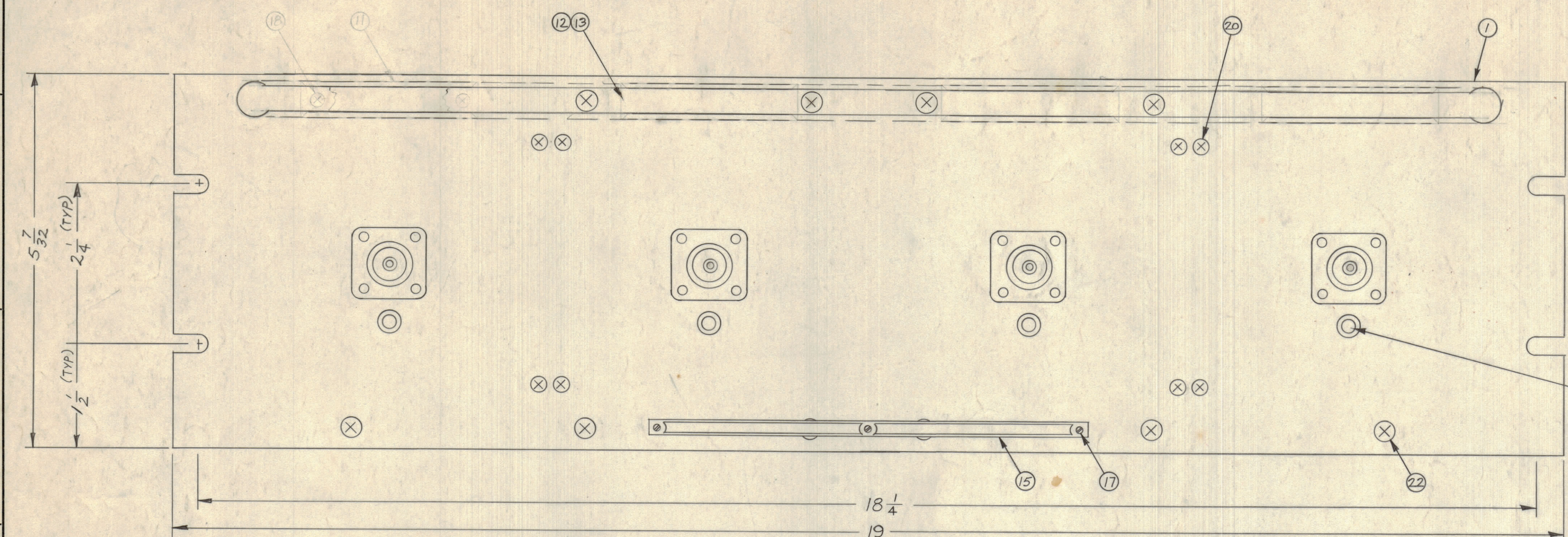
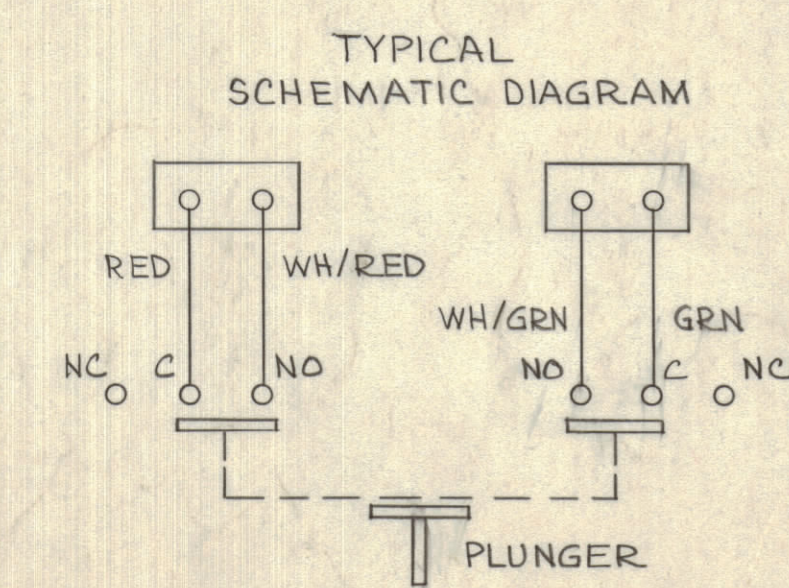


ZONE		SYM	DESCRIPTION	DATE	EM.N. NO.	DRAFT	CHKD	APPD
A			ITEM(21) WAS SCRP, (18) WAS (BN4), (5) WAS PM427-2	7/4/66	15695			
B			ITEM(11) & ITEM(18) DEL. PICT. UPDATED					



QTY	UNIT	DESCRIPTION	SYMBOL
X	28	S-716	TEST PROCEDURE
2	27	TM-105-BAR	FANNING STRIP (LOOSE ITEM)
8	26	NTH 0440 BN8	NUT, HEXAGON
8	25	NTH 0440 BN6	NUT, HEXAGON
16	24	LWS04MRN	LOCKWASHER, SPLIT
16	23	LWE04MRN	LOCKWASHER EXTERNAL
12	22	SCFP0632 BN5	SCREW, MACHINE
8	21	SCBP0440 BN36	SCREW, MACHINE
8	20	SCFP0440 BN10	SCREW, MACHINE
16	19	SCBP0440 BN8	SCREW, MACHINE
X	8	SCFP0440 BN6	SCREW, MACHINE
3	17	SFB0256 SN3	SCREW, THREAD CUTTING
2	16	CA-345	CABLE ASSEMBLY
1	15	NP-250	NAMEPLATE, IDENTIFICATION
2	14	MS-154-1	STRADDLE, PLATE
4	13	PR-101-7	FREQUENCY, TAB
4	12	PX-396-	GUARD, FREQUENCY TAB
X	11	MS-276	HOLDER, CARD
2	10	TM-102-8	TERMINAL, STRIP BARRIER TYPE
16	9	WA-109-17	WASHER, FIBER
16	8	PM-426	SPACER, SWITCH
8	7	SW-189	SWITCH, MICRO, PUSH
4	6	MS-1124	BRACKET, SWITCH
4	5	PM-427-6	PLUNGER, SWITCH
4	4	BB-115	BEARING OILITE (P/O A-1448)
2	3	PM-490	BRACE, PANEL
4	2	JJ-147	CONNECTOR, RECEPTACLE
1	1	A-1448	MACHINING, FRONT PANEL

- ITEM 16 INSTALLATION COLOR CODE
- |               |               |
|---------------|---------------|
| 1 RED         | 5 RED         |
| 2 WHITE/RED   | 6 WHITE/RED   |
| 3 WHITE/GREEN | 7 WHITE/GREEN |
| 4 GREEN       | 8 GREEN       |



NOTICE TO PERSONS RECEIVING THIS DRAWING

THE TECHNICAL MATERIEL CORPORATION claims proprietary right in the material disclosed herein. This drawing is issued in confidence for engineering information only and may not be reproduced or used to manufacture anything shown herein without permission from THE TECHNICAL MATERIEL CORPORATION to the user. This drawing is loaned for mutual assistance and is subject to recall at any time.

Property of:  
THE TECHNICAL MATERIEL CORPORATION  
MAMARONECK, NEW YORK

ITEM 27 SUPPLIED AS LOOSE ITEM

MATERIAL		THE TECHNICAL MATERIEL CORP. MAMARONECK, NEW YORK	
FINISH	TMC SMOOTH GRAY SEMI-GLOSS ENAMEL	TITLE	PATCH PANEL, QUICK DISCONNECT "QDS" TO "UHF"
SCALE	1 QDP-7C1S4	DRAWN	MT ANTILLO
MODEL USED ON		CHECKED	
CODE		DATE	11-21-62
ASBY. NO.		DATE	11/20/62
UNLESS OTHERWISE SPECIFIED DIMENSIONS ARE IN INCHES AND INCLUDE CHEMICALLY APPLIED OR PLATED FINISHES		FINAL APPROVAL	
DECIMALS	± .05	DATE	11/20/62
ANGLES	± 1/64	DATE	11/20/62
FRACTIONS	± 1/64	DATE	11/20/62
TOLERANCES	± .01	DATE	11/20/62
	± .005	DATE	11/20/62
THE CONTENTS OF THIS DRAWING ARE THE EXCLUSIVE PROPERTY OF THE TECHNICAL MATERIEL CORP. ITS UNAUTHORIZED USE OR REPRODUCTION IN WHOLE OR IN PART IS STRICTLY FORBIDDEN.		ELECT. DES.	
		MECH. DES.	
		DATE	11/20/62
		SHEET	1
		REV. LTR.	B

QDP-7C1S4 B