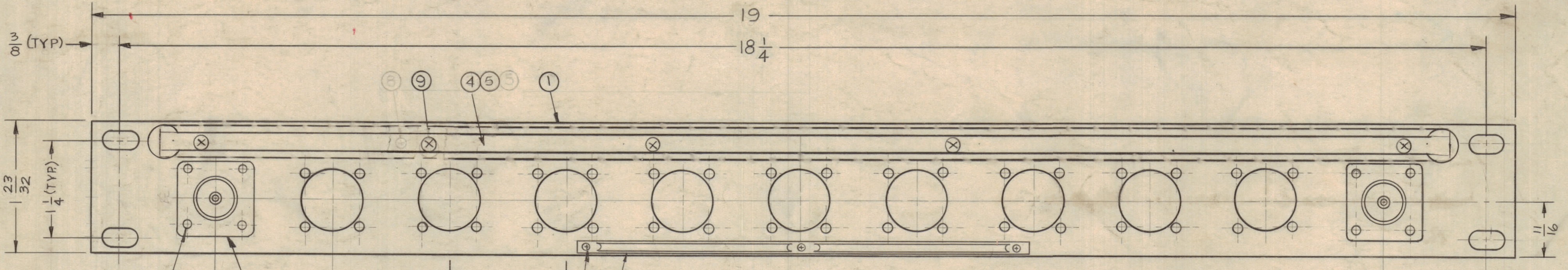
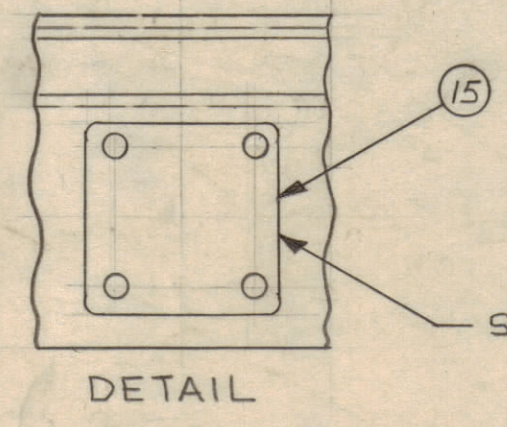
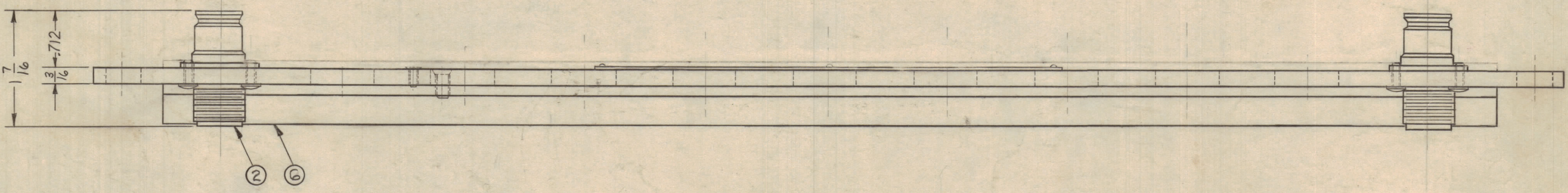


REVISIONS							
ZONE	SYM	DESCRIPTION	DATE	E.M.N. NO.	DRAFT	CHKD	APPD
C2	A	ITEM (14) WAS S-689	2-19-63	8331			
	B	P/N & MODEL BLOCK WAS QDP-7AIXII	6-30-67	18316	L.A.K.		E.M.
	C	ITEM'S 3, 4 & 8 DELETED PCT. UPDATED	4-12-83	22037	GDL		



SEE NOTE 1
START ASSEMBLY FROM
LEFT TO RIGHT



- NOTE:
- CONNECTORS ARE MOUNTED FROM LEFT TO RIGHT.
 - WHEN CONNECTOR MOUNTING HOLES ARE NOT UTILIZED, COVER BLANKS (ITEM 15) ARE TO BE MOUNTED ON FACE OF FRONT PANEL.
 - REFER TO CHART FOR APPLICATION OF COVER BLANK (ITEM 15) WHEN REQUIRED.

THIS UNIT REPLACES NAVY JACK PANEL J-237/G

MODEL	QUAN. ITEM 2	QUAN. ITEM 15
QDP-7AIXII	0	0
QDP-7AIX10	10	1
QDP-7AIX9	2	2
QDP-7AIX8	3	3
QDP-7AIX7	4	4
QDP-7AIX6	5	5
QDP-7AIX5	6	6
QDP-7AIX4	7	7
QDP-7AIX3	8	8
QDP-7AIX2	9	9
QDP-7AIX1	10	10

SEE CHART	ITEM	PART NUMBER	DESCRIPTION	SYMBOL
15	MS-3015-2		COVER, BLANK (QDS)	
X	14	S-721	TEST PROCEDURE & SPEC	
1	13	TG-100	WARNING CARD	
1	12	NP-250	NAMEPLATE IDENTIFICATION	
44	11	LW104MRN	LOCKWASHER, EXTERNAL	
44	10	SCBPO440BN5	SCREW, MACHINE	
6	9	SCFPO632BN5	SCREW, MACHINE	
6	8	SCFPO632BN5	SCREW, MACHINE	
3	7	SFFO256SO3	SCREW, THREAD CUTTING	
1	6	PM-486	BRACE, PANEL	
1	5	PX-396-17	GUARD, TAB	
1	4	PR-101-17	TAB, PAPER	
	3	MS-1184	PC BOARD	
SEE CHART	2	JJ-147	ADAPTOR, CONNECTOR	
1	1	MS-1233	MACHINING, FRONT PANEL	

LIST OF MATERIAL			
MATERIAL	ALUMINUM	THE TECHNICAL MATERIEL CORP. MAMARONECK, NEW YORK	
FINISH	TMC SMOOTH GRAY SEMI-GLOSS ENAMEL	TITLE PATCH PANEL, R.F. QDS TO UHF	
DRAWN	R. Jurehin	DATE	7-17-62
CHECKED	J. De	DATE	7/27/62
ELECT. DES.		DATE	
MECH. DES.		DATE	8/16/62

QDP-7AIX		
QTY./UNIT	MODEL USED ON	ASS'Y. NO.
SCALE	DO NOT SCALE	CODE
THE CONTENTS OF THIS DRAWING ARE THE EXCLUSIVE PROPERTY OF THE TECHNICAL MATERIEL CORP. ITS UNAUTHORIZED USE OR REPRODUCTION IN WHOLE OR IN PART IS STRICTLY FORBIDDEN.		