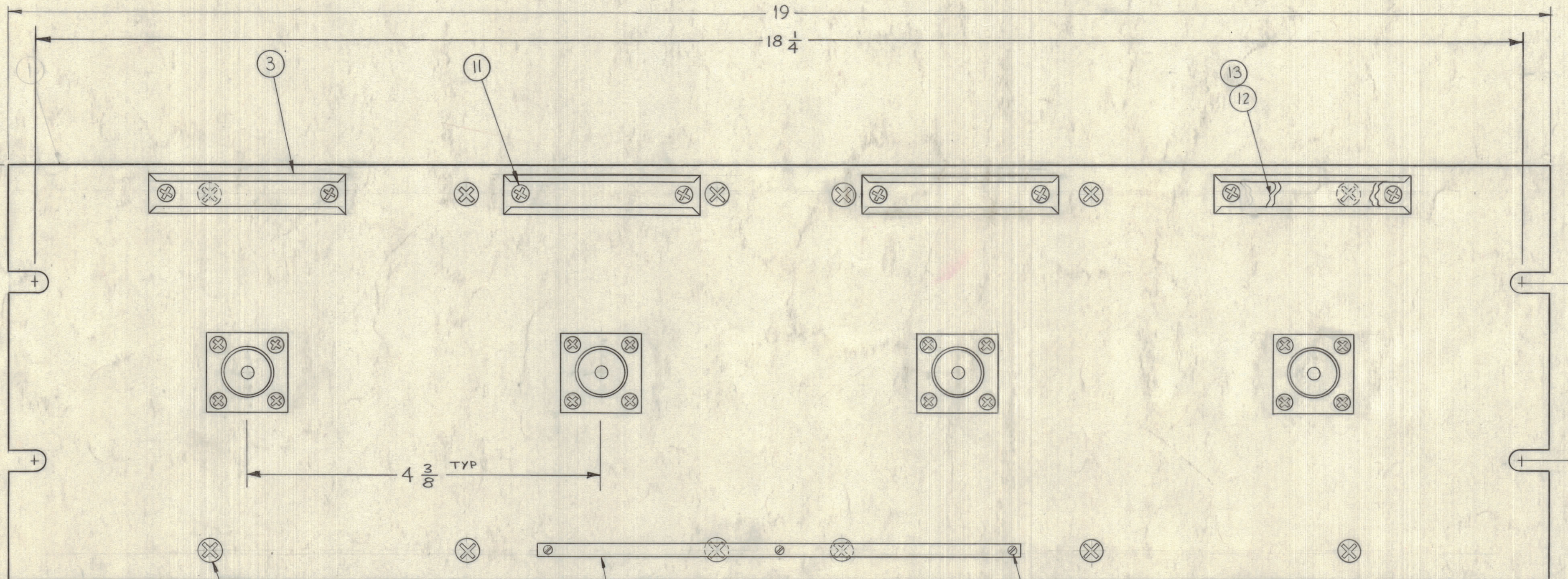
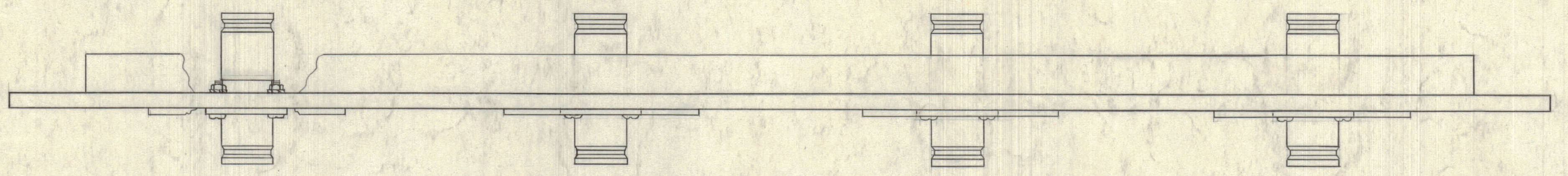


REVISIONS					
ZONE	SYM	DESCRIPTION	DATE	E.M.N. NO.	APPD

NOTICE TO PERSONS RECEIVING THIS DRAWING
 THE TECHNICAL MATERIEL CORPORATION claims proprietary right in the material disclosed herein. This drawing is issued in confidence for engineering information only and may not be reproduced or used to manufacture anything shown herein without permission from THE TECHNICAL MATERIEL CORPORATION to the user. This drawing is loaned for mutual assistance and is subject to recall at any time.
 Property of:
 THE TECHNICAL MATERIEL CORPORATION
 MAMARONECK, NEW YORK



REQ'D.	ITEM	PART NUMBER	DESCRIPTION	SYMBOL
X	14	S-721	TEST PROCEDURE	
4	13	PX-249	GUARD FREQ. TAB (PLASTIC)	
4	12	PX-250	FREQ. TAB (PAPER)	
8	11	SCFP0348BN4	SCREW, MACHINE	
3	10	SFB0256BN3	SCREW, MACHINE	
12	9	SCFP0632BN5	SCREW, MACHINE	
2	8	PM-490	BRACE, PANEL	
16	7	NTH0440BN8	NUT, HEX	
16	6	LWE04MRN	WASHER, LOCK, EXTERNAL	
16	5	SCBP0440BN8	SCREW, MACHINE	
1	4	NP-250	NAMEPLATE, IDENTIFICATION	
4	3	MS-576	CARD HOLDER	
4	2	JJ-141	ADAPTER, CONNECTOR	
1	1	MS-300B	PANEL, FRONT	

PRITCHARD		LIST OF MATERIAL	
MATERIAL	ALUMINUM	TITLE	QUICK DISCONNECT PANEL ASS'Y
FINISH	TMC SMOOTH GRAY SEMI-GLOSS ENAMEL	THE TECHNICAL MATERIEL CORP. MAMARONECK, NEW YORK	
QTY./UNIT	SCALE	MODEL USED ON	ASS'Y. NO.
UNLESS OTHERWISE SPECIFIED DIMENSIONS ARE IN INCHES AND INCLUDE CHEMICALLY APPLIED OR PLATED FINISHES		DRAWN	DATE
DECIMALS	FRACTIONS	CHECKED	DATE
XX ± .005	± 1/64	ELECT. DES.	DATE
	± 9° 30'	MECH. DES.	DATE

NOTES

THE CONTENTS OF THIS DRAWING ARE THE EXCLUSIVE PROPERTY OF THE TECHNICAL MATERIEL CORP. ITS UNAUTHORIZED USE OR REPRODUCTION IN WHOLE OR IN PART IS STRICTLY FORBIDDEN.

QDP-IC1X4