

PX 901

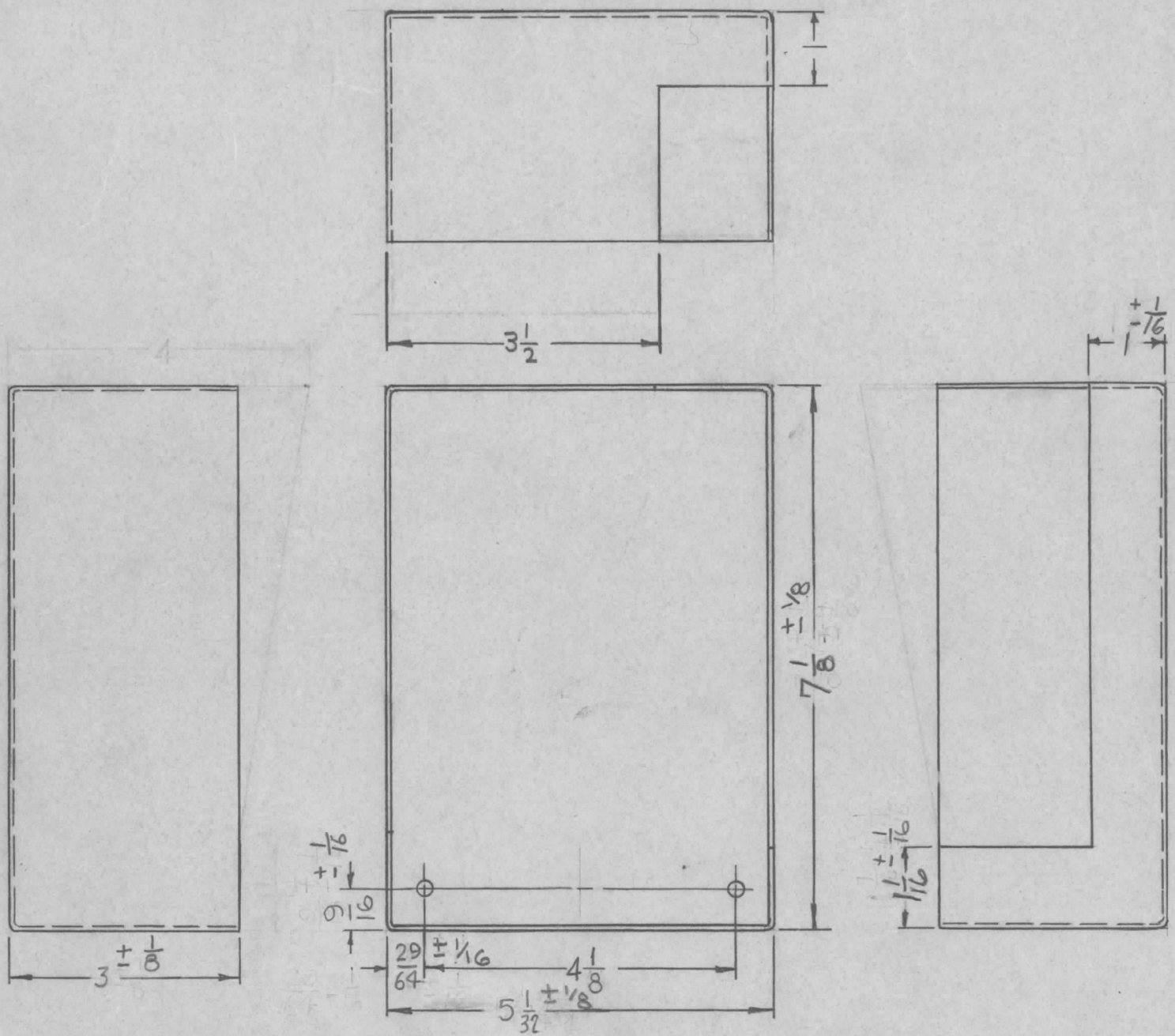
REVISIONS						
SYM	DESCRIPTION	DATE	E.M.N. NO.	DRAFT	CHKD	APPD
Ø	ORIGINAL RELEASE FOR PRODUCTION	3/13/69		RG		JAS

HOLES	DESCRIPTION	REQ.
A	.234 DIA.	21
B	15/16 DIA.	8
C	1-1/8 DIA.	1
D	DR. 169 DIA. C'SINK 82° X .337 DIA.	

REQ'D.	ITEM	PART NUMBER	DESCRIPTION	SYMBOL
F. BUDETTI LIST OF MATERIAL				
MATERIAL 1/4 THICK G-7 SILICONE GLASS			THE TECHNICAL MATERIEL CORP. MAMARONECK, NEW YORK	
FINISH NATURAL			TITLE BOARD, TOP, CONTACTS MTG.	
UNLESS OTHERWISE SPECIFIED DIMENSIONS ARE IN INCHES AND INCLUDE CHEMICALLY APPLIED OR PLATED FINISHES			DRAWN <i>[Signature]</i>	DATE 7-20-65
			CHECKED <i>[Signature]</i>	DATE 3/13/69
			ELECT. DES. <i>[Signature]</i>	DATE
			MECH. DES. <i>[Signature]</i>	DATE 2/10/68
DECIMALS .X ± .05 .XX ± .01 .XXX ± .005			TOLERANCES ± 1/64 ANGLES ± 0° 30'	
			FINAL APPROVAL <i>[Signature]</i> DATE	
			PX 901	
			SHEET	
			REV. LTR.	

1	TST-10K	
Q'TY./UNIT	MODEL USED ON	ASS'Y. NO.
SCALE	CODE A	
THE CONTENTS OF THIS DRAWING ARE THE EXCLUSIVE PROPERTY OF THE TECHNICAL MATERIEL CORP. ITS UNAUTHORIZED USE OR REPRODUCTION IN WHOLE OR IN PART IS STRICTLY FORBIDDEN.		

NOTES



PX910

REVISIONS					
SYM	DESCRIPTION	DATE	E.M.N. NO.	DRAFT	CHKD APPD
X	EXP. RELEASE	2-4-65	X	SRG	
Ø	ORIGINAL RELEASE FOR PRODUCTION	10-5-65	A	E	
A	ON MTL. BLK. KYDEX 100 PEWTER GREY 52001 WAS FIBER GLASS	10/27/65	15021	AVJ	OCB MM
B	4" DIM DELETED; PICT. REVISED	10/19/66	17072	WFW	OCB
C	TOL'S ADDED, MATERIAL WAS KYDEX 100, PEWTER GRAY 52001	8/25/67	18474	H.G.	FB

HOLES:
11/64 DIA. (2REQ.)

MATES WITH MS4342

REQ'D.	ITEM	PART NUMBER	DESCRIPTION	SYMBOL
F. BUDETTI LIST OF MATERIAL				
MATERIAL 1/16 TK (MIN) GRAY, HI-IMPACT, POLYSTYRENE OR EQUIV.			THE TECHNICAL MATERIEL CORP. MAMARONECK, NEW YORK	
FINISH			TITLE SHIELD, CIRCUIT BREAKER	
UNLESS OTHERWISE SPECIFIED DIMENSIONS ARE IN INCHES AND INCLUDE CHEMICALLY APPLIED OR PLATED FINISHES			DRAWN SRG	DATE 2-4-65
DECIMALS .X ± .05 .XX ± .01 .XXX ± .005			CHECKED	DATE
FRACTIONS ± 1/64 ANGLES ± 0° 30'			ELECT. DES.	DATE
TOLERANCES			MECH. DES.	DATE
THE CONTENTS OF THIS DRAWING ARE THE EXCLUSIVE PROPERTY OF THE TECHNICAL MATERIEL CORP. ITS UNAUTHORIZED USE OR REPRODUCTION IN WHOLE OR IN PART IS STRICTLY FORBIDDEN.			FINAL APPROVAL PX 910	
			DATE 10/1/65	
			SHEET	
			REV. LTR. C	

1	GPT-10K() 7	
Q'TY./UNIT	MODEL USED ON	ASS'Y. NO.
SCALE 1/2:1	CODE A	

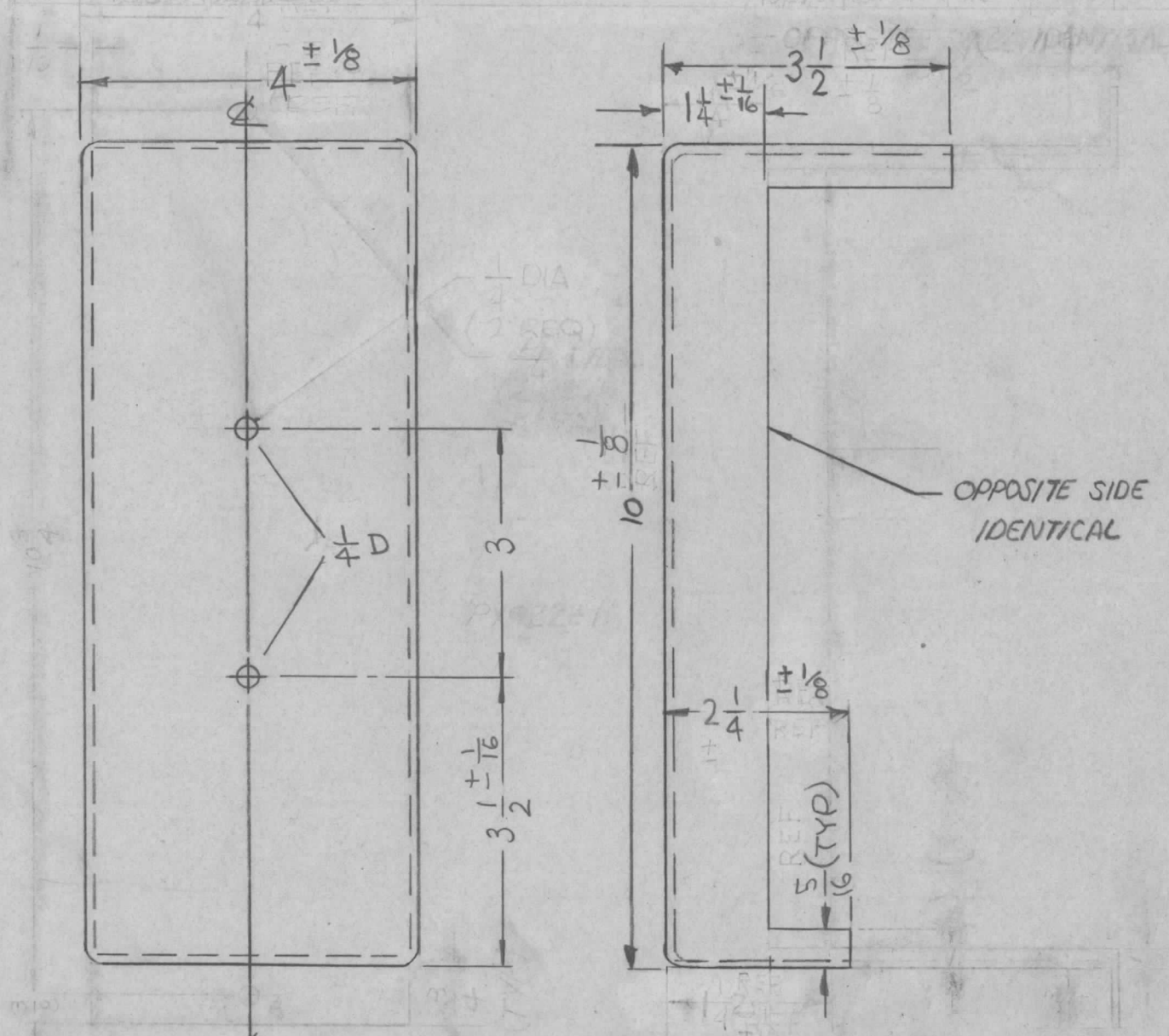
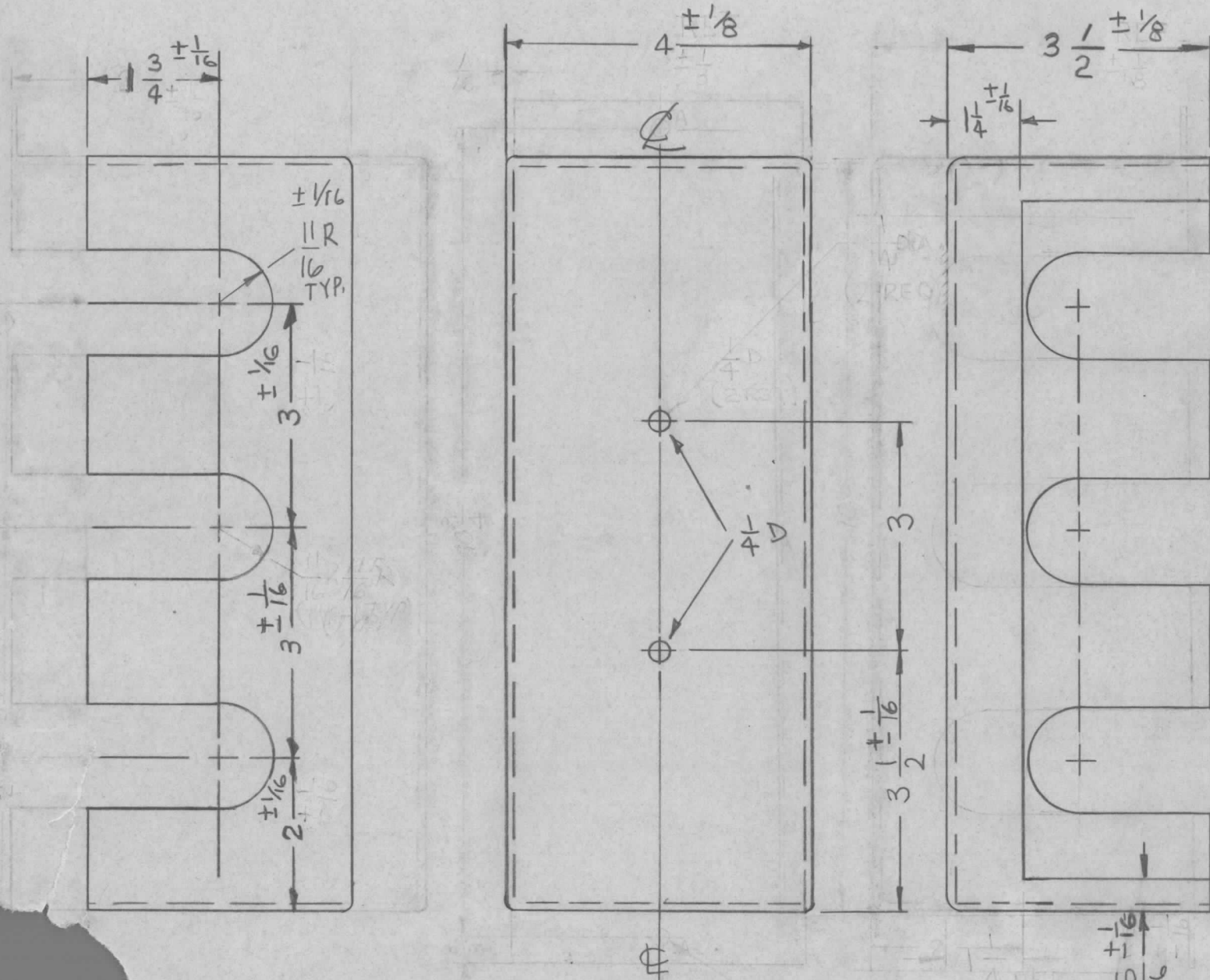
NOTES

PX922

B

REVISIONS

SYM	DESCRIPTION	DATE	E.M.N. NO.	DRAFT	CHKD	APPD
X1	REDRAWN & REVISED	4/20/65		CJL	CA	
Ø	ORIGINAL RELEASE FOR PRODUCTION	4/20/65		CJL		
A	REDRAWN & REVISED (LIPS DELETED)	11/30/66	17301	WLD		
B	TOL'S ADDED TO DIMENSIONS	8/21/67	18474	HG		



NOTES
 PX922-2
 REF LD1798-2 (2 REQ)

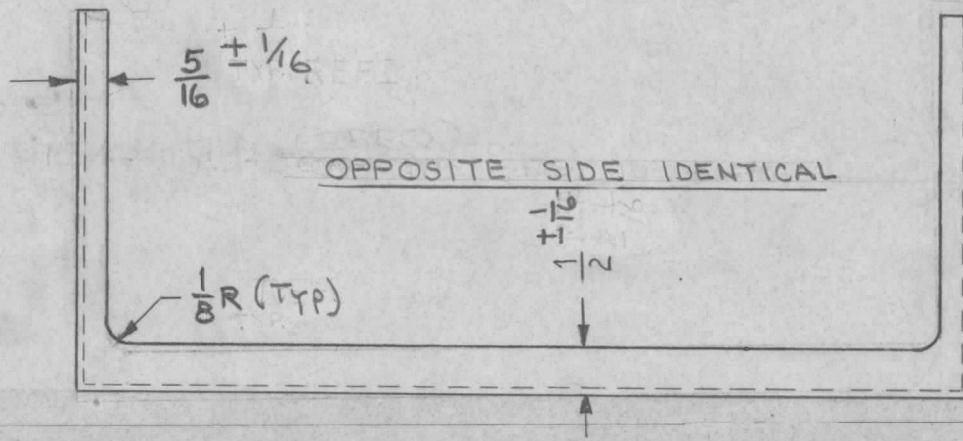
2	GPT-200K	
Q'TY./UNIT	MODEL USED ON	ASS'Y. NO.
SCALE DO NOT SCALE	CODE A	

THE CONTENTS OF THIS DRAWING ARE THE EXCLUSIVE PROPERTY OF THE TECHNICAL MATERIEL CORP. ITS UNAUTHORIZED USE OR REPRODUCTION IN WHOLE OR IN PART IS STRICTLY FORBIDDEN.

REQ'D.	ITEM	PART NUMBER	DESCRIPTION	SYMBOL
F. BUDETTI LIST OF MATERIAL				
MATERIAL 3 LAYERS FIBERGLASS			THE TECHNICAL MATERIEL CORP. MAMARONECK, NEW YORK	
FINISH S115 SMOOTH GRAY ENAMEL			TITLE SHIELD, BREAKER	
UNLESS OTHERWISE SPECIFIED DIMENSIONS ARE IN INCHES AND INCLUDE CHEMICALLY APPLIED OR PLATED FINISHES				
DRAWN CJL		DATE 4/20/65		FINAL APPROVAL OB
CHECKED JCB		DATE 4/20/65		
ELECT. DES.		DATE		PX922
MECH. DES.		DATE		B
SHEET				REV. LTR.

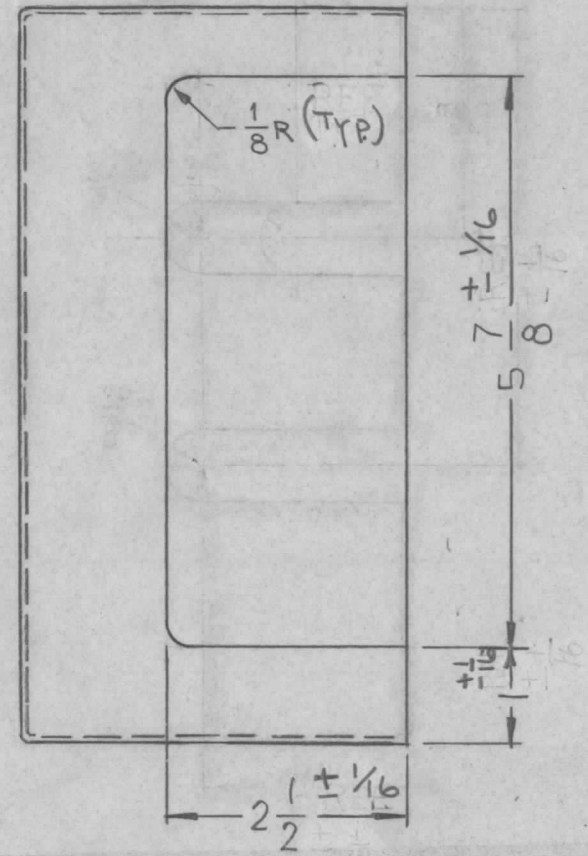
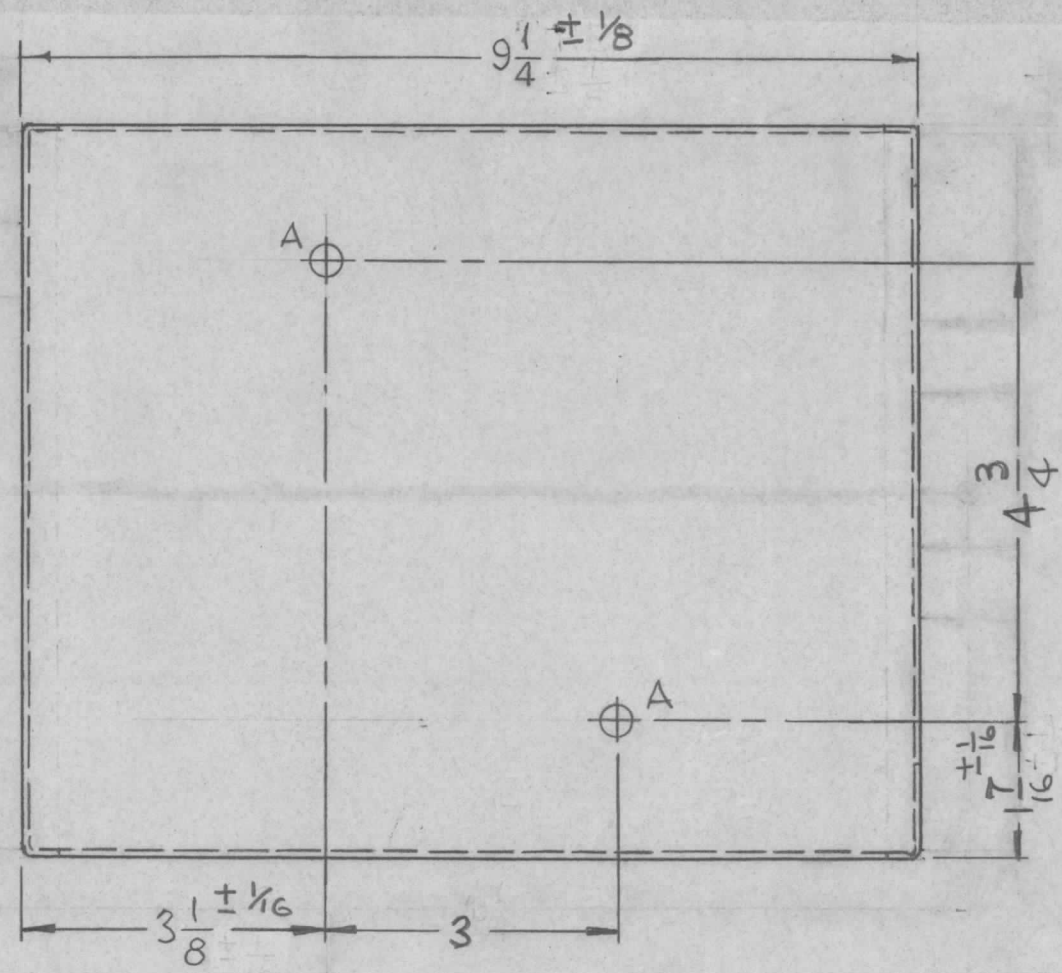
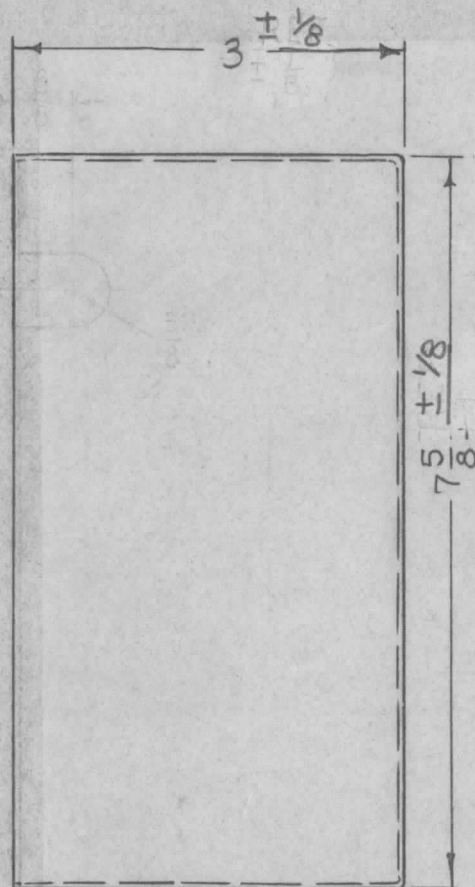
NOTES

HOLES
A - 15/64 DIA. (2 REQ.)



PX 923

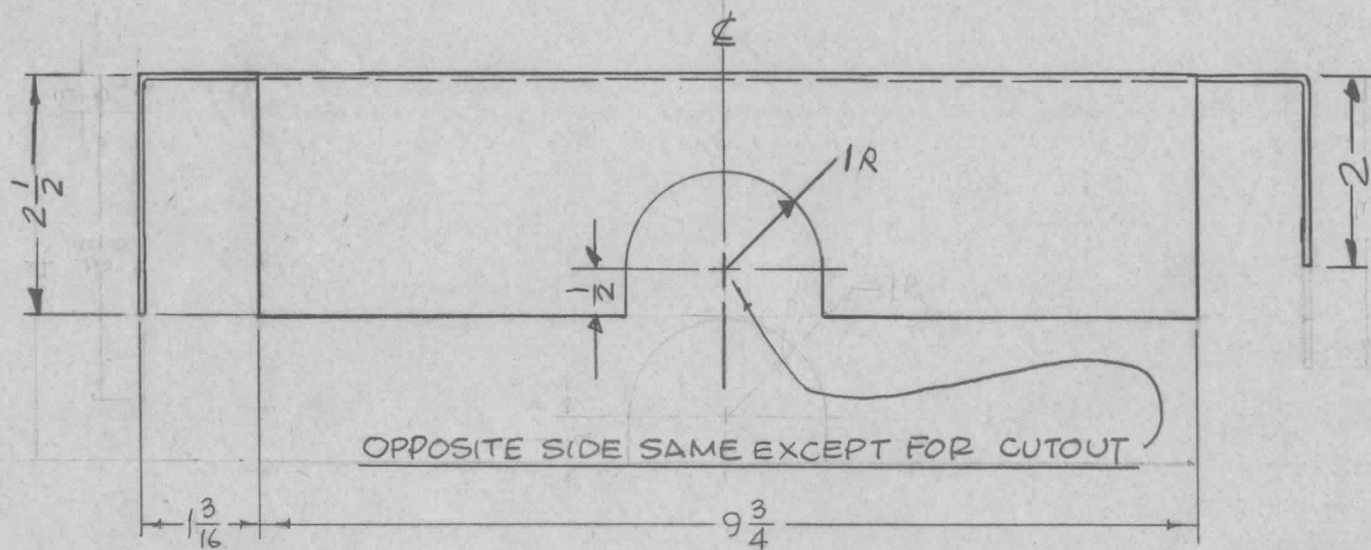
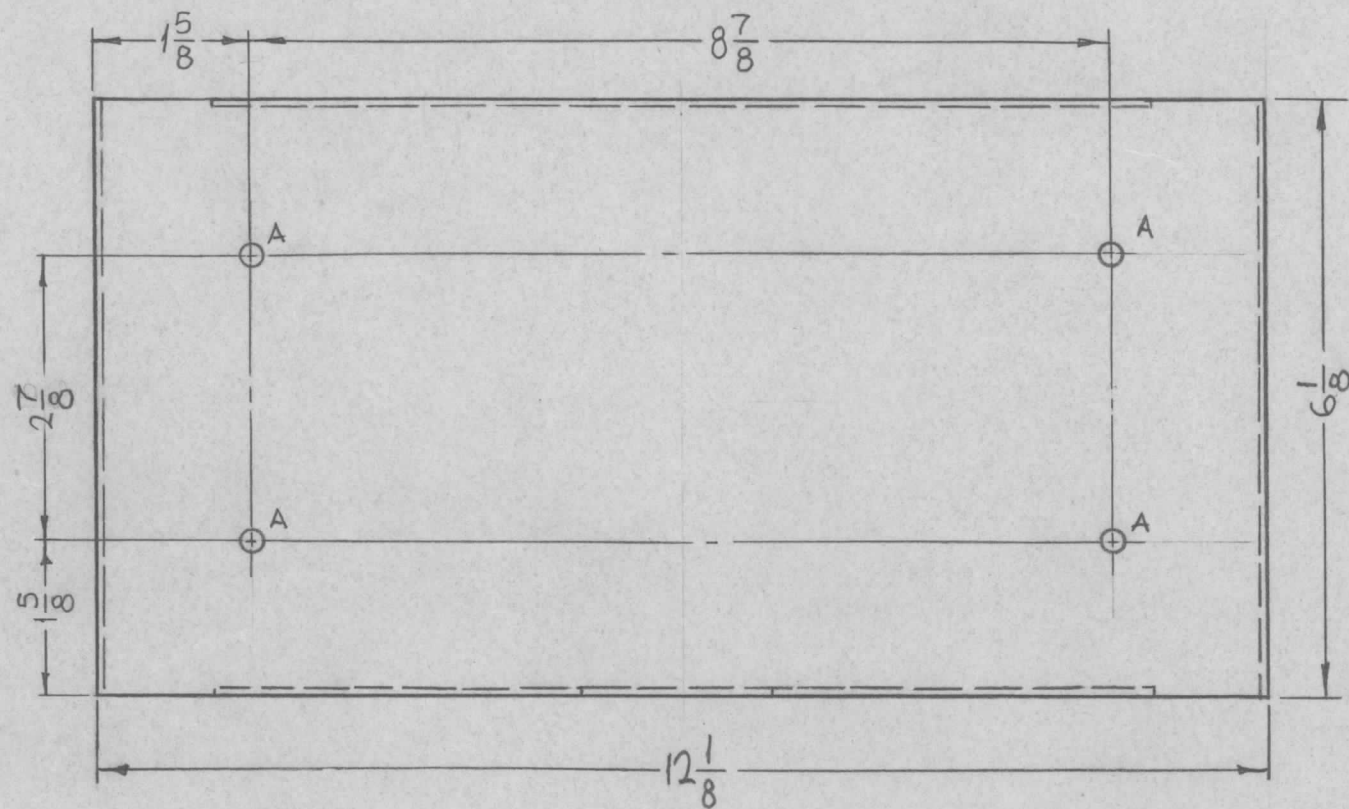
REVISIONS					
SYM	DESCRIPTION	DATE	E.M.N. NO.	DRAFT	CHKD APPD
X	EXP. RELEASE	2-23-65	X	SRG	
XI	RIGHT SIDE VIEW, SLOT CLARIFIED	4/20/65		CJL	
Ø	ORIGINAL RELEASE FOR PRODUCTION	4/20/65	-M-	SRG	
A	(2) LIPS DELETED; (2) "A" HOLES RELOC ADDED TOP VIEW. TITLE WAS SHIELD, HV, BREAKER	11/28/66	17301	WU	<i>[Signature]</i>
B	TOL'S ADDED	8/21/67	18474	HG	<i>[Signature]</i> FB
C	1/8 ± 1/16 ADDED TO DIMENSIONS	5/25/68	18504	HG	



REF. LD 1800

REQ'D.	ITEM	PART NUMBER	DESCRIPTION	SYMBOL
F. BUDETTI LIST OF MATERIAL				
MATERIAL 3 LAYERS FIBERGLASS			THE TECHNICAL MATERIEL CORP. MAMARONECK, NEW YORK	
FINISH SI15 SMOOTH GREY ENAM.			TITLE COVER, PROTECT BUSS BARS	
2		GPT-200K		
O'TY./UNIT		MODEL USED ON	ASS'Y. NO.	
SCALE		CODE A		
UNLESS OTHERWISE SPECIFIED DIMENSIONS ARE IN INCHES AND INCLUDE CHEMICALLY APPLIED OR PLATED FINISHES			DRAWN <i>SRG</i> DATE 2-23-65	
DECIMALS .X ± .05 .XX ± .01 .XXX ± .005			CHECKED <i>[Signature]</i> DATE 4/20/65	
FRACTIONS ± 1/64 ANGLES ± 0° 30'			ELECT. DES. <i>[Signature]</i> DATE	
TOLERANCES			MECH. DES. <i>[Signature]</i> DATE	
THE CONTENTS OF THIS DRAWING ARE THE EXCLUSIVE PROPERTY OF THE TECHNICAL MATERIEL CORP. ITS UNAUTHORIZED USE OR REPRODUCTION IN WHOLE OR IN PART IS STRICTLY FORBIDDEN.			FINAL APPROVAL <i>[Signature]</i> PX 923	
			DATE	
			SHEET	
			REV. LTR. B	

NOTES



PX924

REVISIONS					
SYM	DESCRIPTION	DATE	E.M.N. NO.	DRAFT	CHKD APPD
X	EXP. RELEASE	2-23-65	X	SRG	
XI	SLOT ADDED	4-13-65		CJL	
Ø	ORIGINAL RELEASE FOR PRODUCTION	4/20/65	AA	SRG	

HOLES:
A ~ 15/64 DIA. (4REQ.)

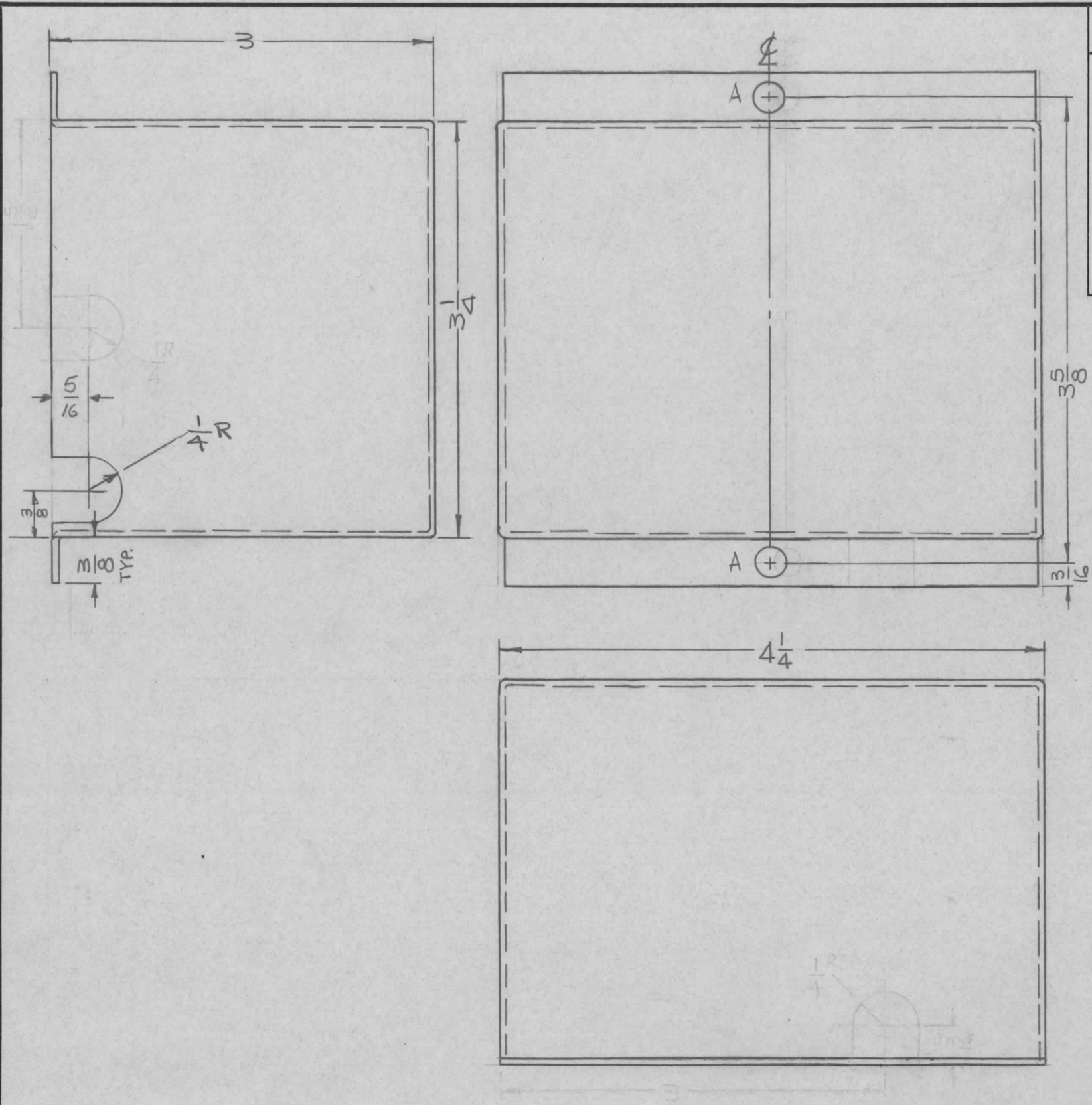
REF: LD 1801

REQ'D.	ITEM	PART NUMBER	DESCRIPTION	SYMBOL
F. BUDETTI LIST OF MATERIAL				
MATERIAL		THE TECHNICAL MATERIEL CORP. MAMARONECK, NEW YORK		
3 LAYERS FIBERGLASS		TITLE		
FINISH		SHIELD, TERMINAL BD.		
S115 SMOOTH GREY ENAM,		DRAWN SRG DATE		
UNLESS OTHERWISE SPECIFIED		FINAL APPROVAL		
DIMENSIONS ARE IN INCHES AND INCLUDE		DATE		
CHEMICALLY APPLIED OR PLATED FINISHES		DATE		
DECIMALS		ELECT. DES. DATE		
.X ± .05		MECH. DES. DATE		
.XX ± .01		SHEET		
.XXX ± .005		REV. LTR.		
FRACTIONS		DATE		
± 1/64		DATE		
ANGLES		DATE		
± 0° 30'		DATE		

2	GPT-200K	ASS'Y. NO.
Q'TY./UNIT	MODEL USED ON	ASS'Y. NO.
SCALE	CODE	
1/2:1	A	

THE CONTENTS OF THIS DRAWING ARE THE EXCLUSIVE PROPERTY OF THE TECHNICAL MATERIEL CORP. ITS UNAUTHORIZED USE OR REPRODUCTION IN WHOLE OR IN PART IS STRICTLY FORBIDDEN.

NOTES



PX928

REVISIONS					
SYM	DESCRIPTION	DATE	E.M.N. NO.	DRAFT	CHKD APPD
X1	SLOT RELOCATED	4-12-65		CVL	
Ø	ORIGINAL RELEASE FOR PRODUCTION	4/20/65	AA	SRG	

HOLES:
A 15/64 DIA. (2REQ.)

REF: LD1829

REQ'D.	ITEM	PART NUMBER	DESCRIPTION	SYMBOL
F. BUDETTI LIST OF MATERIAL				
MATERIAL		THE TECHNICAL MATERIEL CORP.		
3 LAYERS FIBERGLASS		MAMARONECK, NEW YORK		
FINISH		TITLE		
S115 SMOOTH GREY ENAM.		COVER, RESISTOR & RELAY		
UNLESS OTHERWISE SPECIFIED		DRAWN	DATE	FINAL APPROVAL
DIMENSIONS ARE IN INCHES AND INCLUDE		SRG	3-15-65	CVL
CHEMICALLY APPLIED OR PLATED FINISHES		CHECKED	DATE	
		CVL	4/20/65	
DECIMALS		ELECT. DES.	DATE	
.X ± .05				
.XX ± .01		MECH. DES.	DATE	
.XXX ± .005				
TOLERANCES		SHEET		REV. LTR.
FRACTIONS		PX928		Ø
± 1/64				
ANGLES				
± 0° 30'				

2	GPT-200K	ASS'Y. NO.
Q'TY./UNIT	MODEL USED ON	
SCALE 1:1	CODE A.	

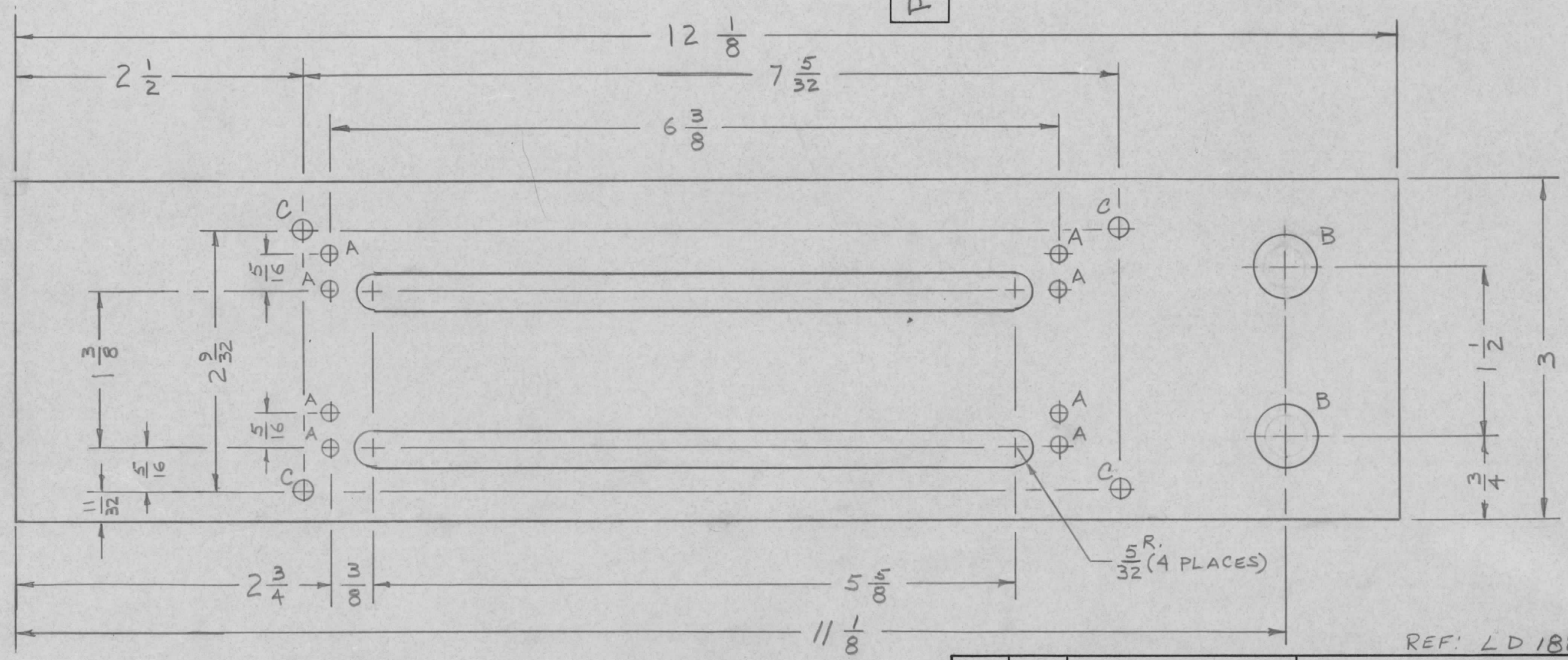
NOTES

THE CONTENTS OF THIS DRAWING ARE THE EXCLUSIVE PROPERTY OF THE TECHNICAL MATERIEL CORP. ITS UNAUTHORIZED USE OR REPRODUCTION IN WHOLE OR IN PART IS STRICTLY FORBIDDEN.

PX 937

REVISIONS

SYM	DESCRIPTION	DATE	E.M.N. NO.	DRAFT	CHKD	APPD
Ø	ORIGINAL RELEASE FOR PRODUCTION	5/4/65	-M	MS		
A	"B" HOLES WERE 3/8 DIA., "C" HOLES WERE 9/64 DIA.	5-14-65	14088	CJL	JL	



REF: LD 1888

- A - 1/8 DIA. (8 REQ.)
- B - 1/2 DIA. (2 REQ'D)
- C - 1/64 DIA. (4 REQ.)

Q'TY./UNIT	MODEL USED ON	ASS'Y. NO.
1	DDRR-5M	A4070
1	DDR-5L	A4070
SCALE	CODE	

NOTES

THE CONTENTS OF THIS DRAWING ARE THE EXCLUSIVE PROPERTY OF THE TECHNICAL MATERIEL CORP. ITS UNAUTHORIZED USE OR REPRODUCTION IN WHOLE OR IN PART IS STRICTLY FORBIDDEN.

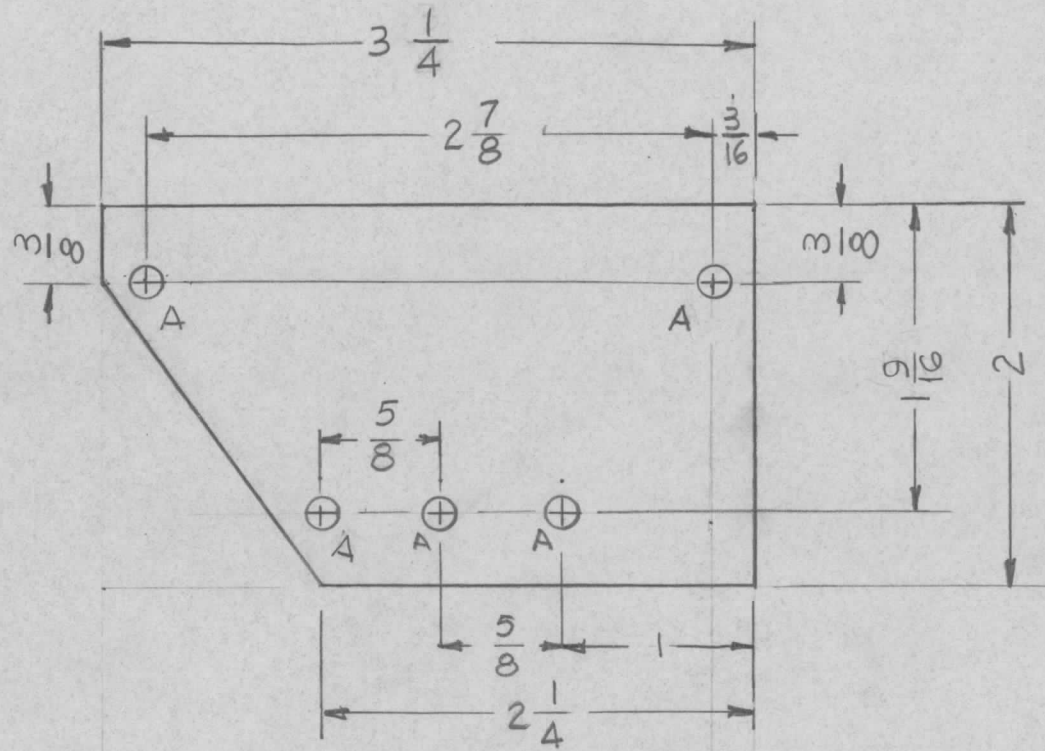
REQ'D.	ITEM	PART NUMBER	DESCRIPTION	SYMBOL
STURMER LIST OF MATERIAL				
MATERIAL		THE TECHNICAL MATERIEL CORP.		
PHENOLIC, 1/4 THK		MAMARONECK, NEW YORK		
GRADE XXXP		TITLE		
FINISH		PANEL, PATCH		
BLACK, SEMI-GLOSS		DRAWN		
UNLESS OTHERWISE SPECIFIED		M.H. STURMER		DATE
DIMENSIONS ARE IN INCHES AND INCLUDE		5-3-65		FINAL APPROVAL
CHEMICALLY APPLIED OR PLATED FINISHES		CHECKED		DATE
DECIMALS		ELECT. DES.		DATE
.X ± .05		MECH. DES.		DATE
.XX ± .01		5-		SHEET
.XXX ± .005		PX 937		REV. LTR.
TOLERANCES		± 1/64		A
		± 0° 30'		

HOLE -
A - 11/64 DIA 5 REQ.

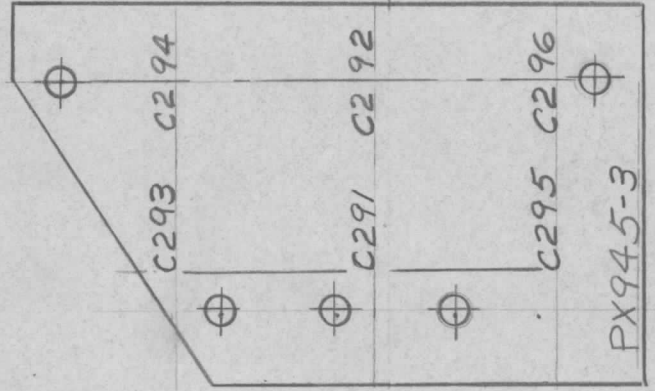
PX945 A

REVISIONS

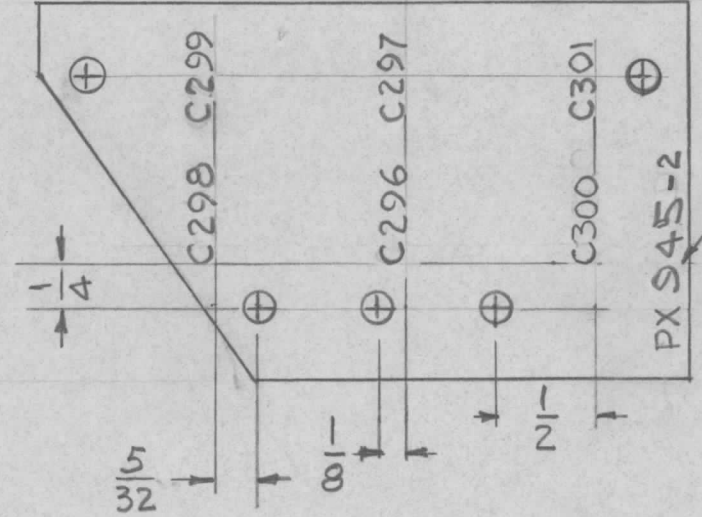
SYM	DESCRIPTION	DATE	E.M.N. NO.	DRAFT	CHKD	APPD
X1	1-9/16 WAS 1-5/8	5-21-65	X1	SRG		
Ø	ORIGINAL RELEASE FOR PRODUCTION	5-21-65	X2	CUL		
A	PX945-3 PICT ADDED RFC-1B ADDED	9/15/65	14797	HVY	JSD	MMR



PX 945 - 1 (MACHINING)
MATERIAL : 1/8 THK. SILICON GLASS G-7
FINISH : NATURAL



SAME DIMENSIONS AS PX945-2
PX 945-3 (MARKING)
FOR RFD-1B



PX 945-2 (MARKING)
FOR RFC-1B

MARK TMC P/N. WITH LATEST REV. LETTER

MARKING PROCESS: AS PER TMC SPECIFICATION S-727.
LETTERING: 1/8 HIGH BLACK GOTHIC, LOCATED AS SHOWN.

NOTES

Q'TY./UNIT	MODEL USED ON	ASS'Y. NO.
1(-3)	RFD-1B	
1(-2)	RFC-1B (KIT 187)	
SCALE	CODE	
1:1	A	

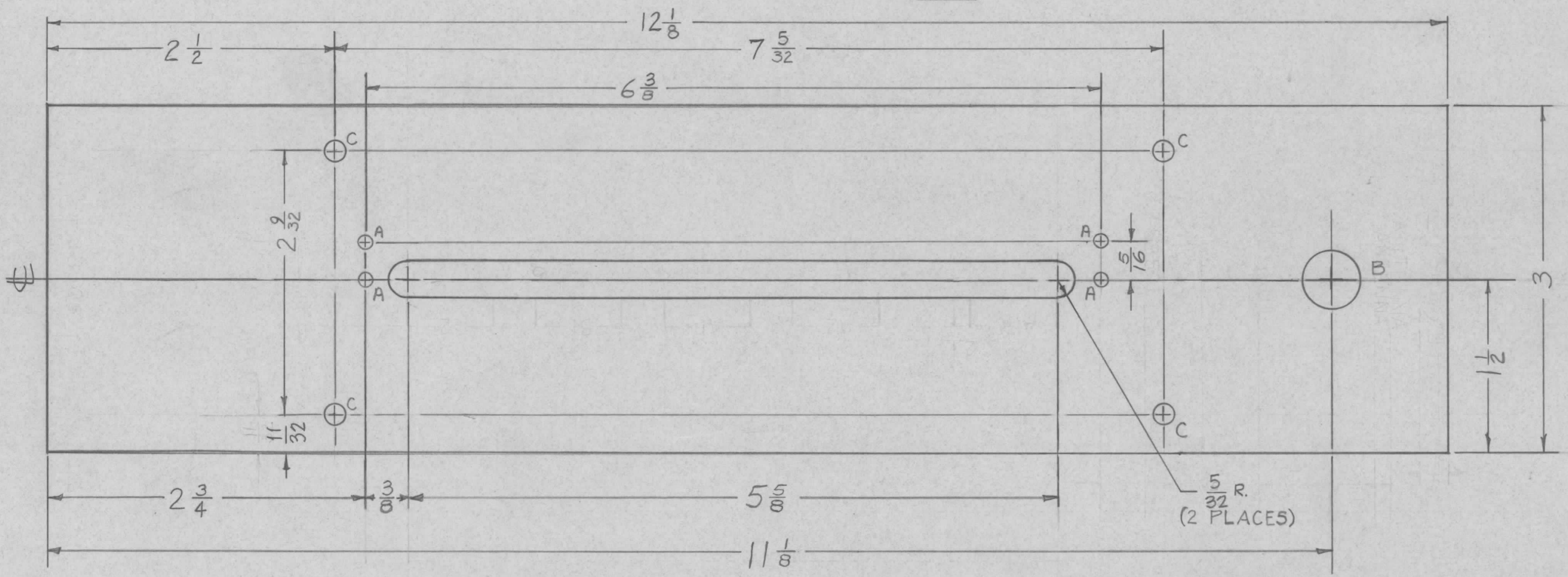
THE CONTENTS OF THIS DRAWING ARE THE EXCLUSIVE PROPERTY OF THE TECHNICAL MATERIEL CORP. ITS UNAUTHORIZED USE OR REPRODUCTION IN WHOLE OR IN PART IS STRICTLY FORBIDDEN.

REQ'D.	ITEM	PART NUMBER	DESCRIPTION	SYMBOL
F. BUDETTI LIST OF MATERIAL				
MATERIAL		THE TECHNICAL MATERIEL CORP. MAMARONECK, NEW YORK		
FINISH		TITLE BOARD MTG. CAPACITOR		
UNLESS OTHERWISE SPECIFIED DIMENSIONS ARE IN INCHES AND INCLUDE CHEMICALLY APPLIED OR PLATED FINISHES				
DECIMALS	TOLERANCES	FRACTIONS	DRAWN G.D.L. DATE 5-19-65	
.X ± .05		± 1/64	CHECKED H.D. DATE 5/19/65	FINAL APPROVAL J.B. M... DATE 5/24/65
.XX ± .01		ANGLES ± 0° 30'	ELECT. DES. H.D. DATE	PX 945 A
.XXX ± .005			MECH. DES. DATE	SHEET
				REV. LTR.

PX950 A

REVISIONS

SYM	DESCRIPTION	DATE	E.M.N. NO.	DRAFT	CHKD	APPD
X1	MAT'L WAS BAKELITE, 1/4 XXXD (ERROR) S113 FUNGUS PROOF VARNISH.	8-11-65	AA	JC		
Ø	ORIGINAL RELEASE FOR PRODUCTION	8/13/65	Ø	A.V.V		<i>[Signature]</i>
A	Clerical Change	5-22-67	AA	RG		RA



LD2225, MSG-21
REF TMC DWG LD1933, DDR-5K

HOLE	REQ.
A 1/8 DIA. THRU	4
B 1/2 DIA. THRU	1
C 11/64 DIA.	4

REQ'D.	ITEM	PART NUMBER	DESCRIPTION	SYMBOL
STURMER LIST OF MATERIAL				
MATERIAL		1/4 THICK, PHENOLIC, XXXP, BLACK, SEMI-GLOSS		
FINISH		S113-FUNGUS RES. VARNISH		
TITLE		PANEL, PATCH		
UNLESS OTHERWISE SPECIFIED DIMENSIONS ARE IN INCHES AND INCLUDE CHEMICALLY APPLIED OR PLATED FINISHES		DRAWN <i>[Signature]</i> DATE 6-8-65		FINAL APPROVAL <i>[Signature]</i> DATE 8/13/65
DECIMALS .X ± .05 .XX ± .01 .XXX ± .005		FRACTIONS ± 1/64 ANGLES ± 0° 30'		SHEET PX950 A
TOLERANCES		ELECT. DES. <i>[Signature]</i> DATE 8-12-65		
MECH. DES. <i>[Signature]</i>		DATE 8-12-65		REV. LTR.

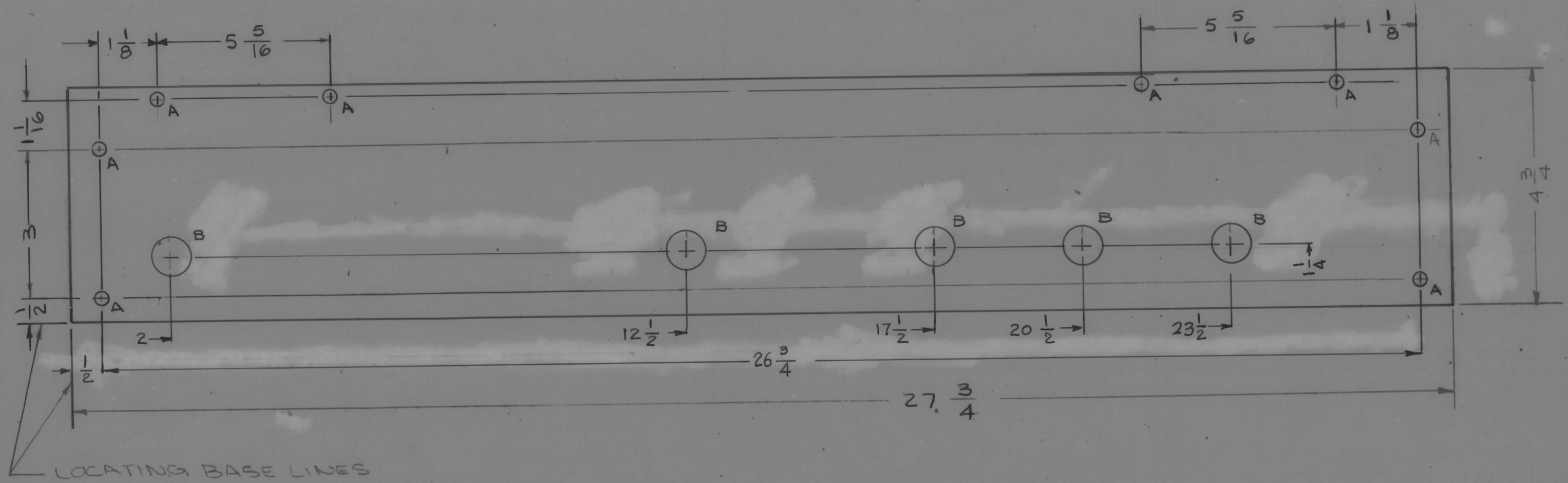
Q'TY./UNIT	MODEL USED ON	ASS'Y. NO.
1	MSG-21	
1	DDR-5K	
SCALE 1:1	CODE A	
THE CONTENTS OF THIS DRAWING ARE THE EXCLUSIVE PROPERTY OF THE TECHNICAL MATERIEL CORP. ITS UNAUTHORIZED USE OR REPRODUCTION IN WHOLE OR IN PART IS STRICTLY FORBIDDEN.		

NOTES

PX 960

REVISIONS

SYM	DESCRIPTION	DATE	E.M.N. NO.	DRAFT	CHKD	APPD
X1	REVISED & REDRAWN	8-31-65	X1	G.D.L		
Ø	RELEASED FOR PRODUCTION	9/1/65	Ø			



HOLE	DESCRIPTION	REQ
A	15/64 DIA	8
B	3/4 DIA	5

REF. LD 1987

REQ'D.	ITEM	PART NUMBER	DESCRIPTION	SYMBOL
BUDETTI LIST OF MATERIAL				
MATERIAL			THE TECHNICAL MATERIEL CORP. MAMARONECK, NEW YORK	
1/2 THK XXXP PHENOLIC COLOR: NATURAL			BOARD, CONTACTS MTG; REAR	
FINISH			TITLE	
FUNGUS PROOFING PER TMC SPECIFICATION S-113			DRAWN G.D.L DATE 8-31-65	
UNLESS OTHERWISE SPECIFIED DIMENSIONS ARE IN INCHES AND INCLUDE CHEMICALLY APPLIED OR PLATED FINISHES			CHECKED [Signature] DATE 9/1/65	
DECIMALS			ELECT. DES [Signature] DATE 9/1/65	
.X ± .05			MECH. DES [Signature] DATE 9/1/65	
.XX ± .01			SHEET	
.XXX ± .005			PX 960	
TOLERANCES			REV. LTR. Ø	
FRACTIONS			DATE 9/1/65	
± 1/64			SHEET	
ANGLES			REV. LTR. Ø	
± 0° 30'			SHEET	

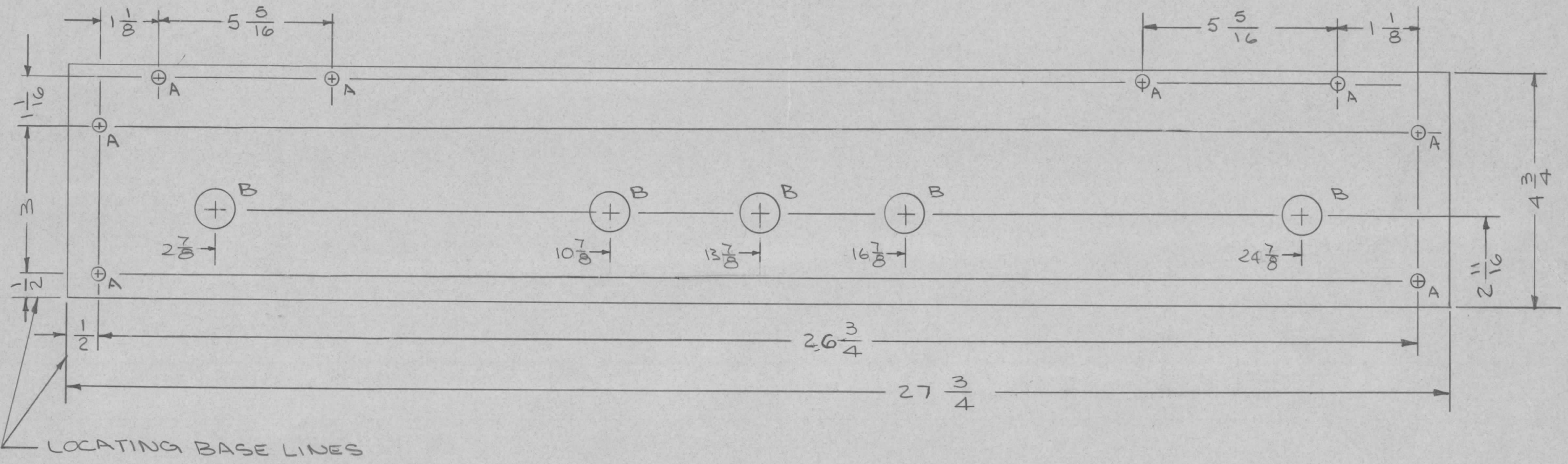
1	HVRB-2	ASS'Y. NO.
QTY./UNIT	MODEL USED ON	
SCALE 1/2	CODE A	
THE CONTENTS OF THIS DRAWING ARE THE EXCLUSIVE PROPERTY OF THE TECHNICAL MATERIEL CORP. ITS UNAUTHORIZED USE OR REPRODUCTION IN WHOLE OR IN PART IS STRICTLY FORBIDDEN.		

NOTES

PX961-A

REVISIONS

SYM	DESCRIPTION	DATE	E.M.N. NO.	DRAFT	CHKD	APPD
X1	2" DIA HOLES DEL. 4" DIA HOLES RELOCATED	8-31-65	TT	E		
Ø	ORIGINAL RELEASE FOR PRODUCTION	8/31/65	Ø	WV		
Δ	"B" HOLES RELOCATED; 2 7/8 WAS 3; 10 7/8 WAS 11; 13 7/8 WAS 14; 16 7/8 WAS 17; 24 7/8 WAS 25	5.5.66	16221	WV	JBda	

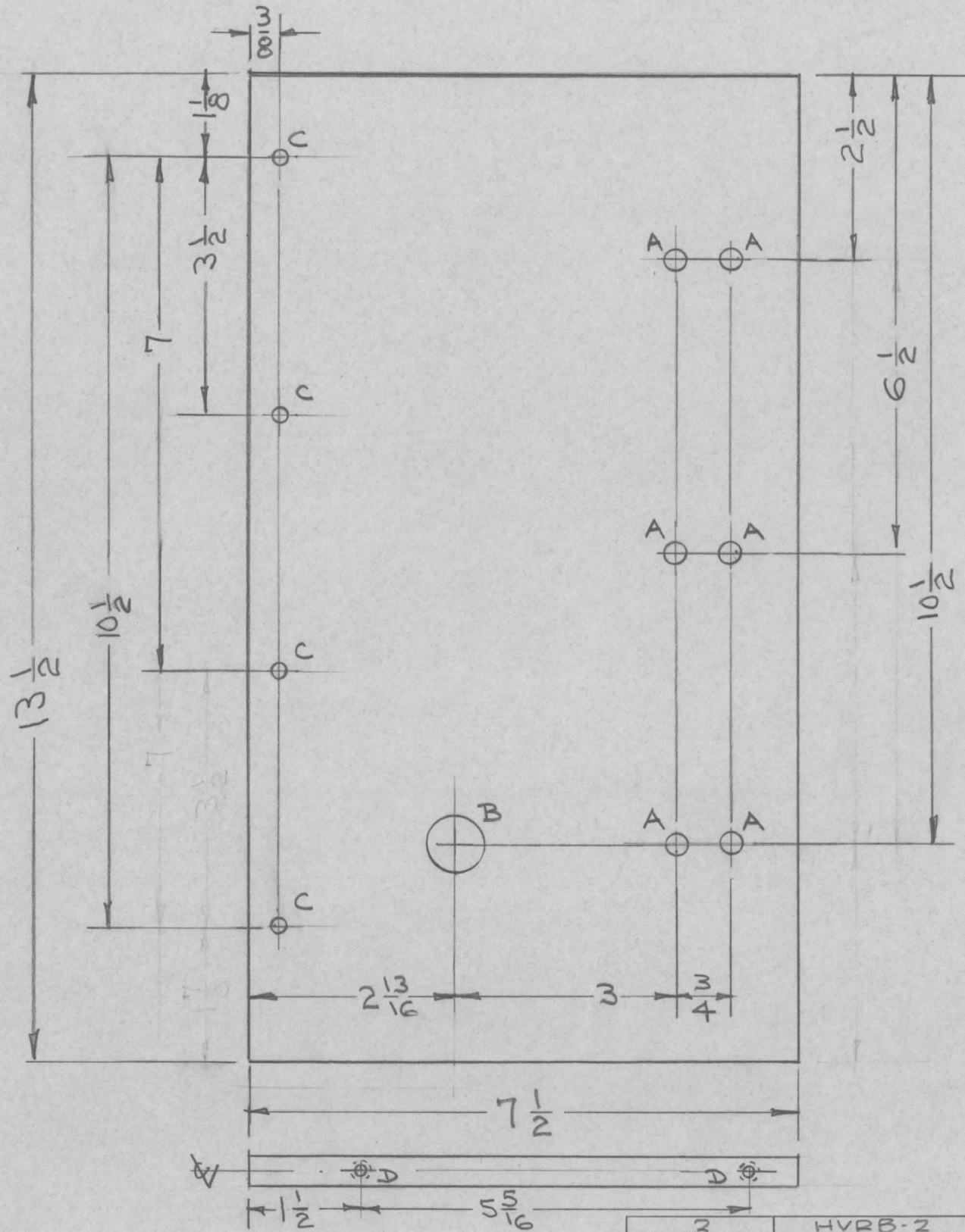


HOLE	DESCRIPTION	REQ
A	15/64 DIA	8
B	3/4 DIA	5

REF: LD1988

REQ'D.	ITEM	PART NUMBER	DESCRIPTION	SYMBOL
LIST OF MATERIAL				
MATERIAL			THE TECHNICAL MATERIEL CORP.	
NATURAL PHENOLIC 3/8 THICK XXXP			MAMARONECK, NEW YORK	
FINISH			TITLE	
SI13 FUNGUS PROOF VARNISH			BOARD, CONTACTS MTG; REAR	
UNLESS OTHERWISE SPECIFIED DIMENSIONS ARE IN INCHES AND INCLUDE CHEMICALLY APPLIED OR PLATED FINISHES			DRAWN	DATE
			EANEN	8-30-65
			CHECKED	DATE
			JTB	8/31/65
			ELECT. DES.	DATE
			MECH. DES.	DATE
			J.P.S.	8/31/65
DECIMALS			FRACTIONS	
.X ± .05			± 1/64	
.XX ± .01			ANGLES	
.XXX ± .005			± 0° 30'	
TOLERANCES			SHEET	
			PX961	
THE CONTENTS OF THIS DRAWING ARE THE EXCLUSIVE PROPERTY OF THE TECHNICAL MATERIEL CORP. ITS UNAUTHORIZED USE OR REPRODUCTION IN WHOLE OR IN PART IS STRICTLY FORBIDDEN.			REV. LTR.	
			A	

NOTES



PX964

REVISIONS					
SYM	DESCRIPTION	DATE	E.M.N. NO.	DRAFT	CHKD
Ø	ORIGINAL RELEASE FOR PRODUCTION	8/31/65	Ø	AKV	

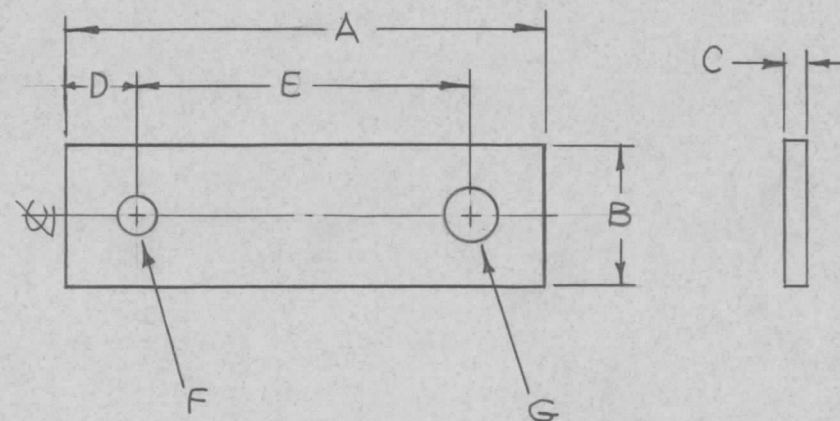
SYMBOL	DESCRIPTION	REQ
A	9/32 DIA	6
B	3/4 DIA	1
C	15/64 DIA	4
D	DR.#5 (.203) X .625 DP & C'SK 120° TO .24-.27 DIA. TAP .410 MIN DEPTH USE HELI-COILTAP #3FPA-H3 BREAK OFF DRIVING TANG	4

4	1	NT139-SF1-20	INSERT, SCREW, THREAD	D
REQ'D.	ITEM	PART NUMBER	DESCRIPTION	SYMBOL
BUDETTI LIST OF MATERIAL				
MATERIAL 3/8 THICK, XXXP NATURAL PHENOLIC			THE TECHNICAL MATERIEL CORP. MAMARONECK, NEW YORK	
FINISH SI13 FUNGUS PROOF VARNISH			TITLE BOARD, MOUNTING, RECT.	
UNLESS OTHERWISE SPECIFIED DIMENSIONS ARE IN INCHES AND INCLUDE CHEMICALLY APPLIED OR PLATED FINISHES			DRAWN	DATE
DECIMALS .X ± .05 .XX ± .01 .XXX ± .005			CHECKED	DATE
			ELECT. DES.	DATE
FRACTIONS ± 1/64 ANGLES ± 0° 30'			MECH. DES.	DATE
				DATE
THE CONTENTS OF THIS DRAWING ARE THE EXCLUSIVE PROPERTY OF THE TECHNICAL MATERIEL CORP. ITS UNAUTHORIZED USE OR REPRODUCTION IN WHOLE OR IN PART IS STRICTLY FORBIDDEN.			FINAL APPROVAL <i>[Signature]</i> 8/31/65	
SCALE			DATE 8/31/65	
CODE A			DATE 8/31/65	
ASS'Y. NO.			DATE 8/31/65	
NOTES			SHEET	
			REV. LTR.	

TMC P/N	A	B	C	D	E	F DIA.	G DIA.	MATERIAL	FINISH
PX965-1	2-1/2	3/4	1/8	3/8	1-3/4	3/16	17/64	G10, EPOXY	SEE NOTE

PX965

REVISIONS						
SYM	DESCRIPTION	DATE	E.M.N. NO.	DRAFT	CHKD	APPD
Ø	ORIGINAL RELEASE FOR PRODUCTION	4/12/66	Ø	HLA		J. De



FUNGUS PROOFING PER
TMC SPECIFICATION S-113

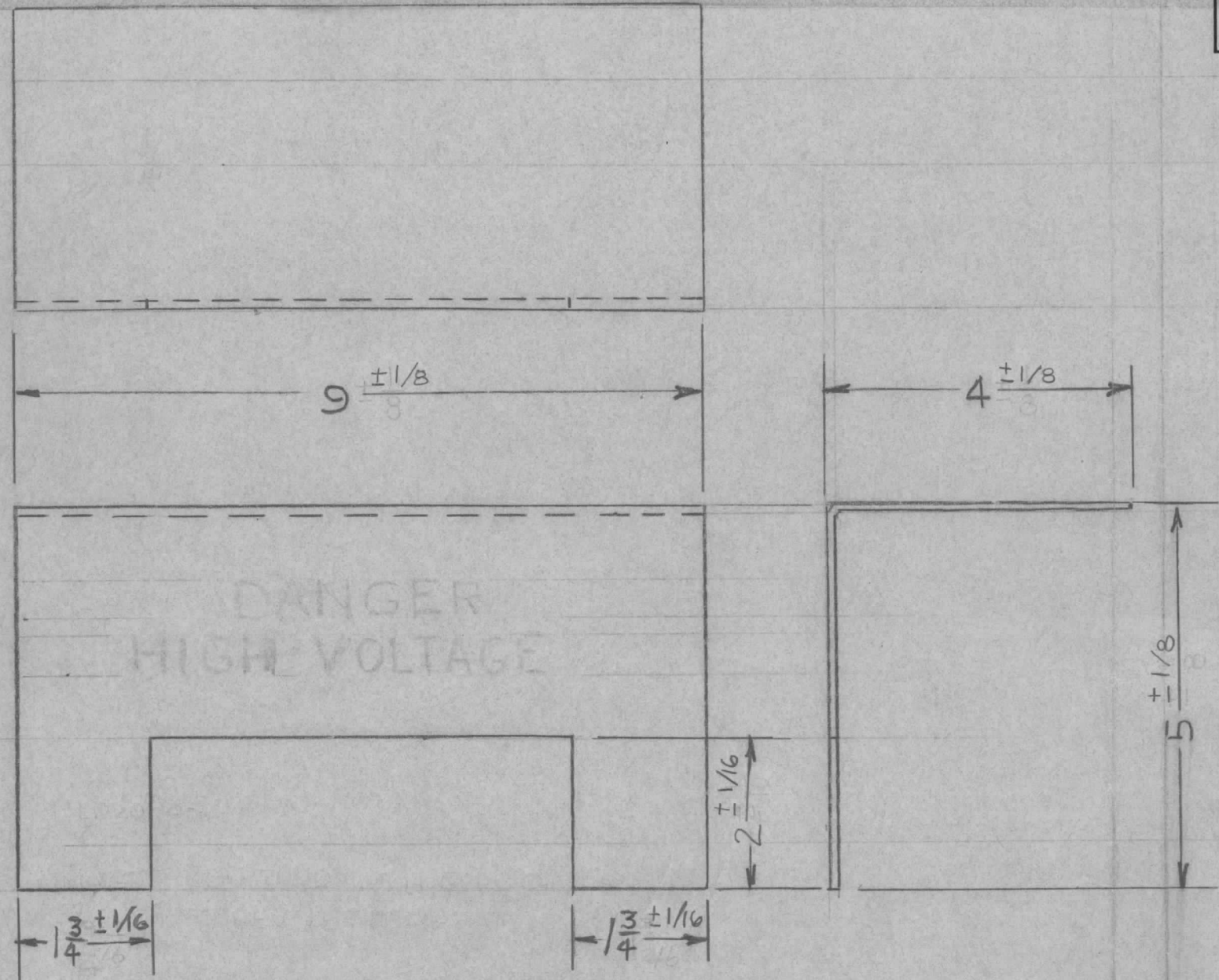
NOTES

Q'TY./UNIT	MODEL USED ON	ASS'Y. NO.
SCALE STANDARD	CODE A	
THE CONTENTS OF THIS DRAWING ARE THE EXCLUSIVE PROPERTY OF THE TECHNICAL MATERIEL CORP. ITS UNAUTHORIZED USE OR REPRODUCTION IN WHOLE OR IN PART IS STRICTLY FORBIDDEN.		

REQ'D.	ITEM	PART NUMBER	DESCRIPTION	SYMBOL
F. BUDETTI LIST OF MATERIAL				
MATERIAL		THE TECHNICAL MATERIEL CORP. MAMARONECK, NEW YORK		
FINISH		TITLE PLATE		
UNLESS OTHERWISE SPECIFIED DIMENSIONS ARE IN INCHES AND INCLUDE CHEMICALLY APPLIED OR PLATED FINISHES		DRAWN [Signature]	DATE 9-13-65	FINAL APPROVAL [Signature]
DECIMALS .X ± .05 .XX ± .01 .XXX ± .005		CHECKED [Signature]	DATE 3-2-66	DATE 4/12/66
FRACTIONS ± 1/64 ANGLES ± 0° 30'		ELECT. DES.	DATE	Ø
TOLERANCES		MECH. DES. [Signature]	DATE	
		SHEET		REV. LTR.

PX972 A

REVISIONS					
SYM	DESCRIPTION	DATE	E.M.N. NO.	DRAFT	CHKD APPD
X	EXPERIMENTAL RELEASE	10/14/66	X	RME	
Ø	ORIGINAL RELEASE FOR PRODUCTION	11-18/66	Ø	RME	
A	TOL. ADDED TO DIM'S ADDED	8.25.67	18474	H.G.	FB



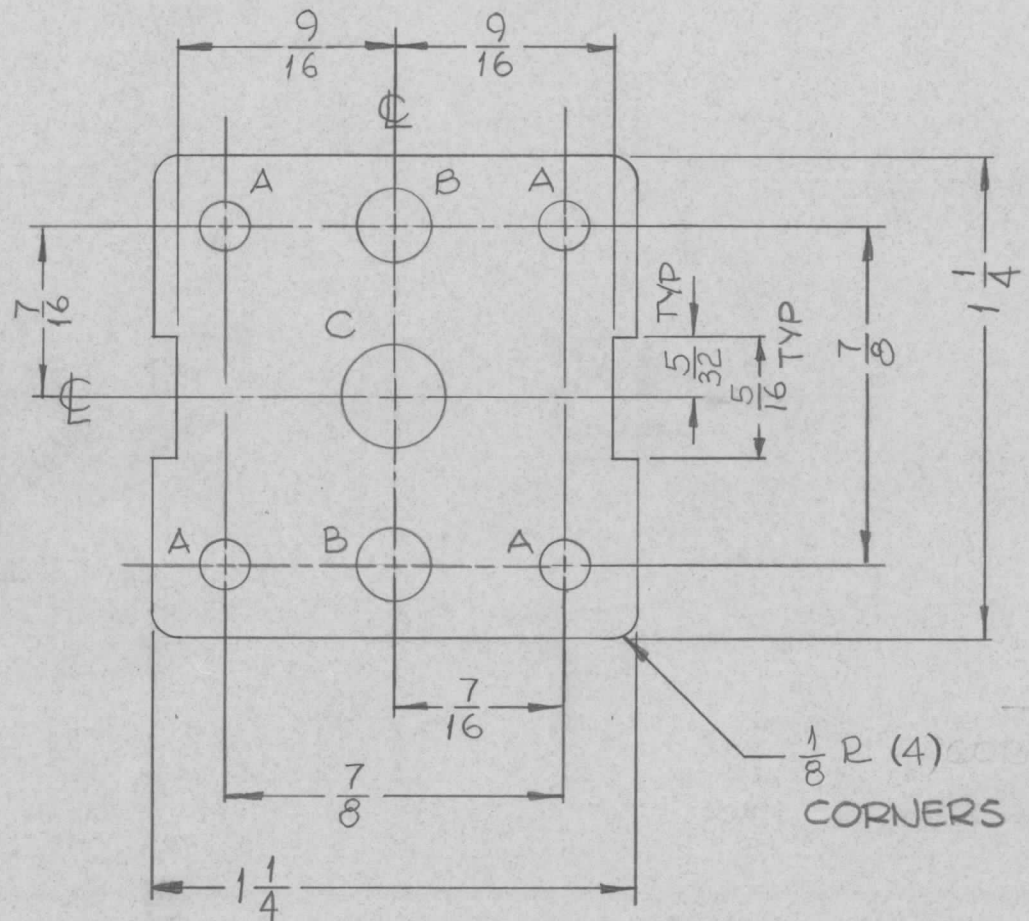
REF LD2054

REQ'D.	ITEM	PART NUMBER	DESCRIPTION	SYMBOL
LIST OF MATERIAL				
MATERIAL		THE TECHNICAL MATERIEL CORP.		
FIBER GLASS 3 LAYERS		MAMARONECK, NEW YORK		
FINISH		TITLE		
S115 TMC GRAY		COVER PROTECT CIRCUIT BREAKER		
UNLESS OTHERWISE SPECIFIED DIMENSIONS ARE IN INCHES AND INCLUDE CHEMICALLY APPLIED OR PLATED FINISHES		DRAWN	DATE	FINAL APPROVAL
		arc		ARC
		CHECKED	DATE	
		RCB		11/18/66
		ELECT. DES.	DATE	
				PX972
		MECH. DES.	DATE	
		me	11/18/66	A
			SHEET	REV. LTR.

1	GPT40KEF	
Q'TY./UNIT	MODEL USED ON	ASS'Y. NO.
SCALE	CODE	
THE CONTENTS OF THIS DRAWING ARE THE EXCLUSIVE PROPERTY OF THE TECHNICAL MATERIEL CORP. ITS UNAUTHORIZED USE OR REPRODUCTION IN WHOLE OR IN PART IS STRICTLY FORBIDDEN.		

NOTES

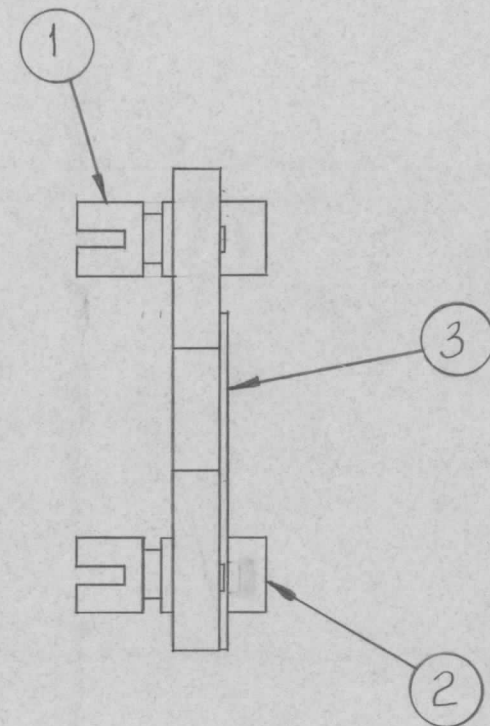
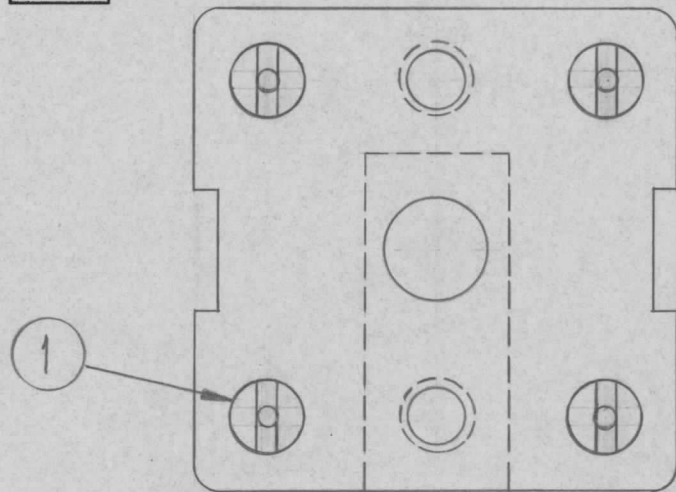
LETTERING 3/2 HIGH REF GAYND



HOLE	DESCRIPTION	REQ'D
A	.116 DIA.	4
B	.189 DIA.	2
C	.261 DIA.	1

PX975

REVISIONS					
SYM	DESCRIPTION	DATE	E.M.N. NO.	DRAFT	CHKD APPD
Ø	ORIGINAL RELEASE FOR PRODUCTION	4/20/66		CV	JHE



REQ'D.	ITEM	PART NUMBER	DESCRIPTION	SYMBOL
1	3	MS132	GROUND STRAP	
2	2	TE108-8	STAND OFF	
4	1	TE109-3	TERMINAL LUG	

POSE		LIST OF MATERIAL			
MATERIAL		THE TECHNICAL MATERIEL CORP.			
1/8 THK PHENOLIC XXXP LAMINATE		MAMARONECK, NEW YORK			
FINISH		TITLE			
S113 FUNGUS PROOF VARN.		I.F. TERMINAL BOARD ASS'Y			
UNLESS OTHERWISE SPECIFIED		DRAWN		FINAL APPROVAL	
DIMENSIONS ARE IN INCHES AND INCLUDE		wfw		A.H. Hay	
CHEMICALLY APPLIED OR PLATED FINISHES		DATE 3-15-66		DATE 4/20/66	
DECIMALS		CHECKED		DATE	
.X ± .05		JHE		DATE	
.XX ± .01		ELECT. DES.		DATE	
.XXX ± .005		MECH. DES.		DATE	
TOLERANCES		DATE		SHEET	
FRACTIONS		DATE		REV. LTR.	
± 1/64		DATE		Ø	
ANGLES		DATE		PX975	
± 0° 30'		DATE		Ø	

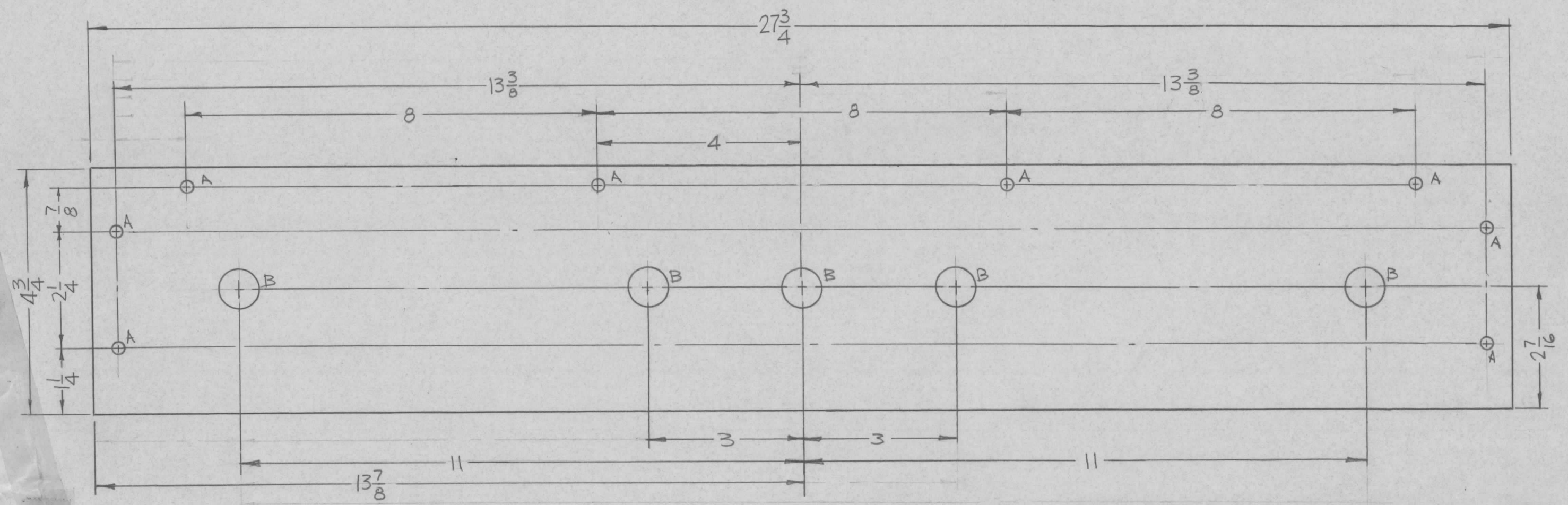
Q'TY./UNIT	MODEL USED ON	ASS'Y. NO.
3	FFR-3	
SCALE	CODE	
2:1		
THE CONTENTS OF THIS DRAWING ARE THE EXCLUSIVE PROPERTY OF THE TECHNICAL MATERIEL CORP. ITS UNAUTHORIZED USE OR REPRODUCTION IN WHOLE OR IN PART IS STRICTLY FORBIDDEN.		

NOTES

PX988

REVISIONS

SYM	DESCRIPTION	DATE	E.M.N. NO.	DRAFT	CHKD	APPD
Ø	ORIGINAL RELEASE FOR PRODUCTION	7-13-66	Ø	G.D.L.		



HOLES
 A - 15/64 DIA. (8 REQ.)
 B - 3/4 DIA. (5 REQ.)

REF. LD 2083-

REQ'D.	ITEM	PART NUMBER	DESCRIPTION	SYMBOL
F. BUDETTI LIST OF MATERIAL				
MATERIAL			THE TECHNICAL MATERIEL CORP.	
3/8 THICK XXXP NATURAL PHENOLIC			MAMARONECK, NEW YORK	
FINISH			TITLE	
S113 FUNGUS PROOF			BOARD, REAR, MTG. CONTACTS	
UNLESS OTHERWISE SPECIFIED DIMENSIONS ARE IN INCHES AND INCLUDE CHEMICALLY APPLIED OR PLATED FINISHES		DRAWN	DATE	FINAL APPROVAL
		<i>[Signature]</i>	5-2-66	<i>[Signature]</i>
		CHECKED	DATE	
		<i>[Signature]</i>	7-11-66	
		ELECT. DES.	DATE	
		<i>[Signature]</i>	7-11-66	
		MECH. DES.	DATE	
		<i>[Signature]</i>	7/6/66	
SHEET				REV. LTR.

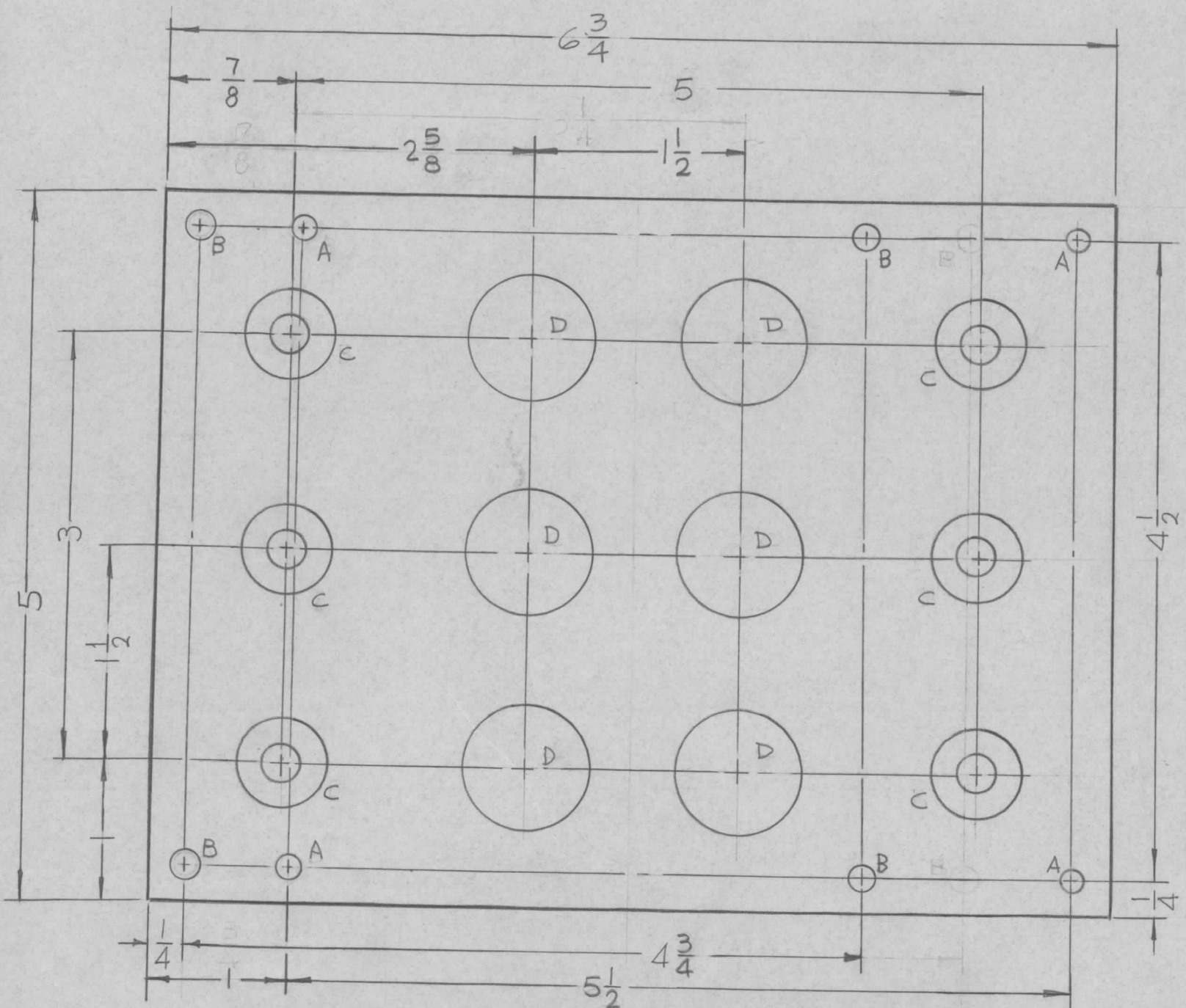
1	KIT-257	
Q'TY./UNIT	MODEL USED ON	ASS'Y. NO.
SCALE 1/2	CODE A	
THE CONTENTS OF THIS DRAWING ARE THE EXCLUSIVE PROPERTY OF THE TECHNICAL MATERIEL CORP. ITS UNAUTHORIZED USE OR REPRODUCTION IN WHOLE OR IN PART IS STRICTLY FORBIDDEN.		

NOTES

PX 995

REVISIONS

SYM	DESCRIPTION	DATE	E.M.N. NO.	DRAFT	CHKD	APPD
X	EXP. RELEASE	7-5-66	X	SPB		W
XI	LD-REF ADDED TO CHART	11-19-66		Jc		
Q	ORIGINAL RELEASE FOR PRODUCTION	12.1.66		WFO		



HOLES	DESCRIPTION	REQ.
A	11/64 DIA	4
B	13/64 DIA.	4
C	DR. 9/32 DIA. C'BORE 5/8 DIA. X 1/4 DP.	6
D	7/8 DIA.	6

TMC P/N	DESCRIPTION	THICK "A"	REF LD-
PX 995-1	AS SHOWN	3/8	LD2136
PX 995-2	EXCLUDE "C" HOLES	1/16	

REF LD (SEE CHART)

REQ'D.	ITEM	PART NUMBER	DESCRIPTION	SYMBOL
F. BUDETTI LIST OF MATERIAL				
MATERIAL THICKNESS (SEE CHART) TYPE: XXXP PHENOLIC, NAT.			THE TECHNICAL MATERIEL CORP. MAMARONECK, NEW YORK	
FINISH S113 FUNGUS PROOFING			TITLE BOARD, FILTER	
UNLESS OTHERWISE SPECIFIED DIMENSIONS ARE IN INCHES AND INCLUDE CHEMICALLY APPLIED OR PLATED FINISHES			DRAWN <i>SPB</i>	DATE 7-5-66
DECIMALS .X ± .05 .XX ± .01 .XXX ± .005			CHECKED <i>JCS</i>	DATE
FRACTIONS ± 1/64 ANGLES ± 0° 30'			ELECT. DES. <i>ad</i>	DATE
TOLERANCES			MECH. DES. <i>pas</i>	DATE
SCALE 1:1			FINAL APPROVAL <i>[Signature]</i> DATE 12/1/66	
CODE A			SHEET PX 995	
THE CONTENTS OF THIS DRAWING ARE THE EXCLUSIVE PROPERTY OF THE TECHNICAL MATERIEL CORP. ITS UNAUTHORIZED USE OR REPRODUCTION IN WHOLE OR IN PART IS STRICTLY FORBIDDEN.			REV. LTR.	

NOTES