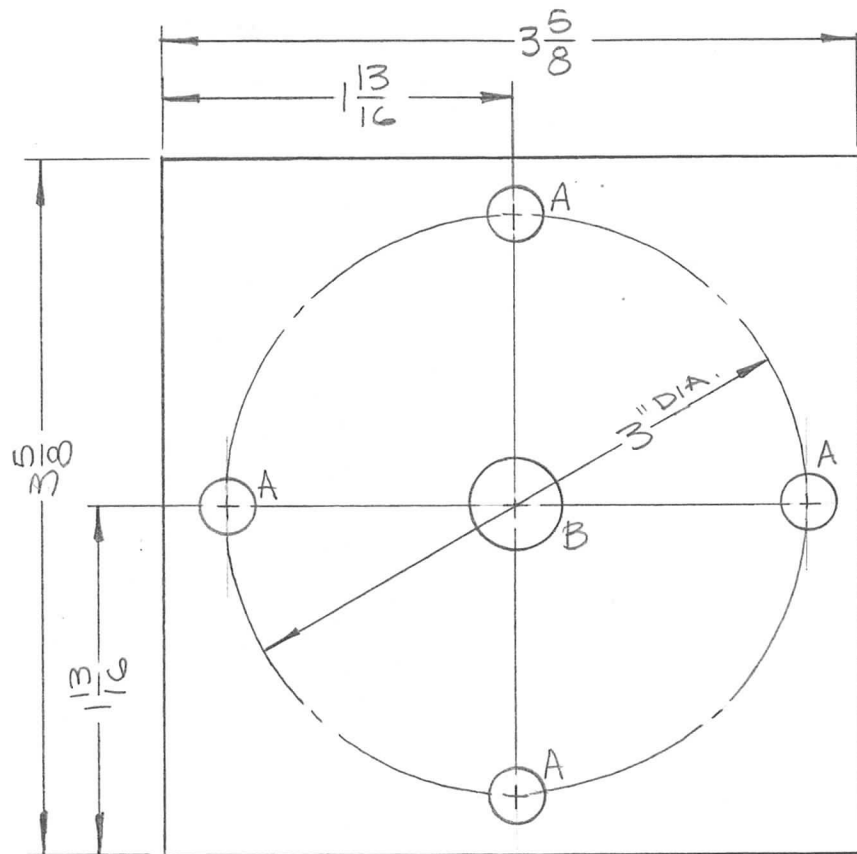


REQ. PER UNIT	USED ON			PX997	Ø
	MODEL	ASS'Y. NO.	DATE		
1	LPFA-10K		9-14-66		



HOLES:
 A - 9-32 DIA. (4 REQ.)
 B - 460 DIA. (1 REQ.)

SYM	DESCRIPTION	DATE	CH. NO.	DRAFTS	CHECKER	ENG. APP.	REQ. ITEM	PART NO.	F. BUDETTI DESCRIPTION	SYMBOL
Ø	ORIGINAL RELEASE FOR PRODUCTION	1/11/67	Ø	CV				1/4 THICK	THE TECHNICAL MATERIEL CORP. MAMARONECK, NEW YORK	
X	EXP. RELEASE	9-13-66	X					STOCK SIZE		
								SILICONE GLASS	SPACER, INSULATOR	
								MATERIAL		
								G-7		
								TYPE & TEMPER	HEAT TREAT. SPEC.	
								NATURAL		
								FINISH & SPEC. NO.	ELEC. DES. APP.	MECH. DES. APP.
										PX997 Ø

UNLESS OTHERWISE SPECIFIED
 DIMENSIONS ARE IN INCHES AND INCLUDE
 CHEMICALLY APPLIED OR PLATED FINISHES

DECIMALS
 .X ± .05
 .XX ± .01
 .XXX ± .005

FRACTIONS
 ± 1/64
 ANGLES
 ± 0° 30'

TOLERANCES

CODE
 A

SCALE
 1:1