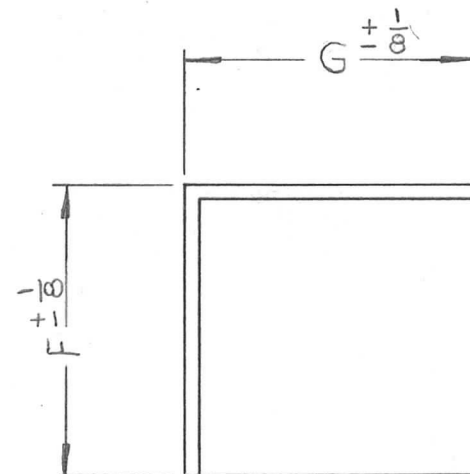
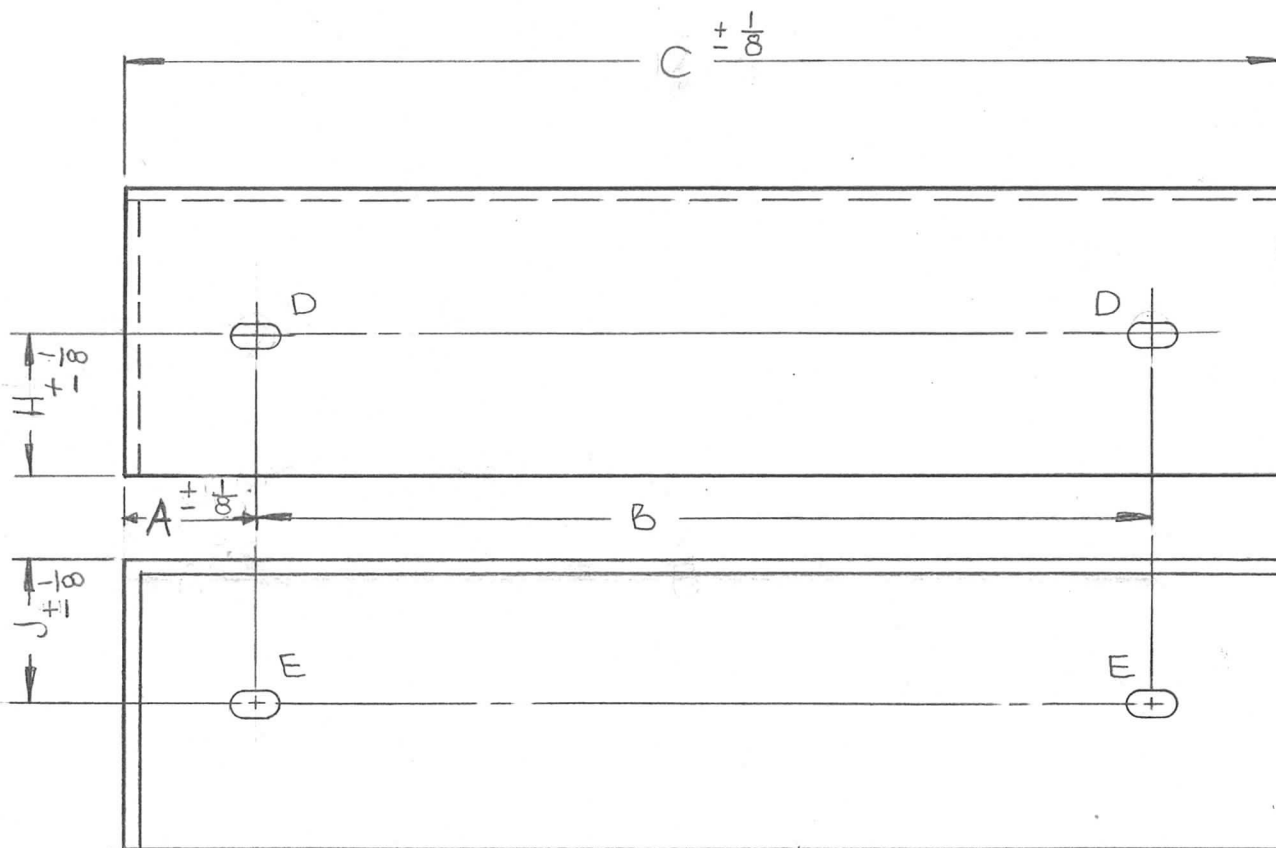


PT/No	A	B	C	D	E	F	G	H	J
PX973-1	1 1/2	11	14	NONE	1/4 X 1/2	3	3	#	1-1/2
PX973-2	1 1/2	14	17	NONE	1/4 X 1/2	3	3	#	1-1/2
PX973-3	1-1/2	11	14	1/4-1/2	#	3	3	1 1/2	#

REQ. PER UNIT	USED ON			PX973	G
	MODEL	ASS'Y. NO.	DATE		
	GPT40KEF		6.7.66		
TSTE-10K					



C	± 1/8 ADDED (TOL)	8-25-67	18474	H.G.	<i>[Signature]</i>	FB	<i>[Signature]</i>
B	ADDED PX973-3	1-3-67	17590	RME	<i>[Signature]</i>	<i>[Signature]</i>	<i>[Signature]</i>
A	DIM D, E, F, G, H & J ADD CHART	10.12.66	17030	WTO	<i>[Signature]</i>	<i>[Signature]</i>	<i>[Signature]</i>
Ø	ORIGINAL RELEASE FOR PRODUCTION	6-22-66	Ø	<i>[Signature]</i>	<i>[Signature]</i>	<i>[Signature]</i>	<i>[Signature]</i>
X ₁	DWG TABULATED	6.14.66	#	WTO			
SYM	DESCRIPTION	DATE	CH. NO.	DRAFTS	CHECKER	ENG. APP.	
UNLESS OTHERWISE SPECIFIED DIMENSIONS ARE IN INCHES AND INCLUDE CHEMICALLY APPLIED OR PLATED FINISHES		SCALE DO NOT SCALE					
DECIMALS .X ± .05 .XX ± .01 .XXX ± .005	TOLERANCES	FRACTIONS ± 1/64 ANGLES ± 0° 30'	CODE				

REQ. ITEM	PART NO.	BUDETTI	DESCRIPTION	SYMBOL
			THE TECHNICAL MATERIEL CORP. MAMARONECK, NEW YORK	
			COVER, PROTECT XFMR	
			STOCK SIZE 3 LAYER FIBERGLASS	
			MATERIAL	
		<i>[Signature]</i>	<i>[Signature]</i>	<i>[Signature]</i>
		WTO	QC/S	<i>[Signature]</i>
		TYPE & TEMPER	HEAT TREAT. SPEC.	
		SI15 TMC GRAY	QC 6-14-66	
		FINISH & SPEC. NO.	ELEC. DES. APP.	MECH. DES. APP.
				PX973
				G