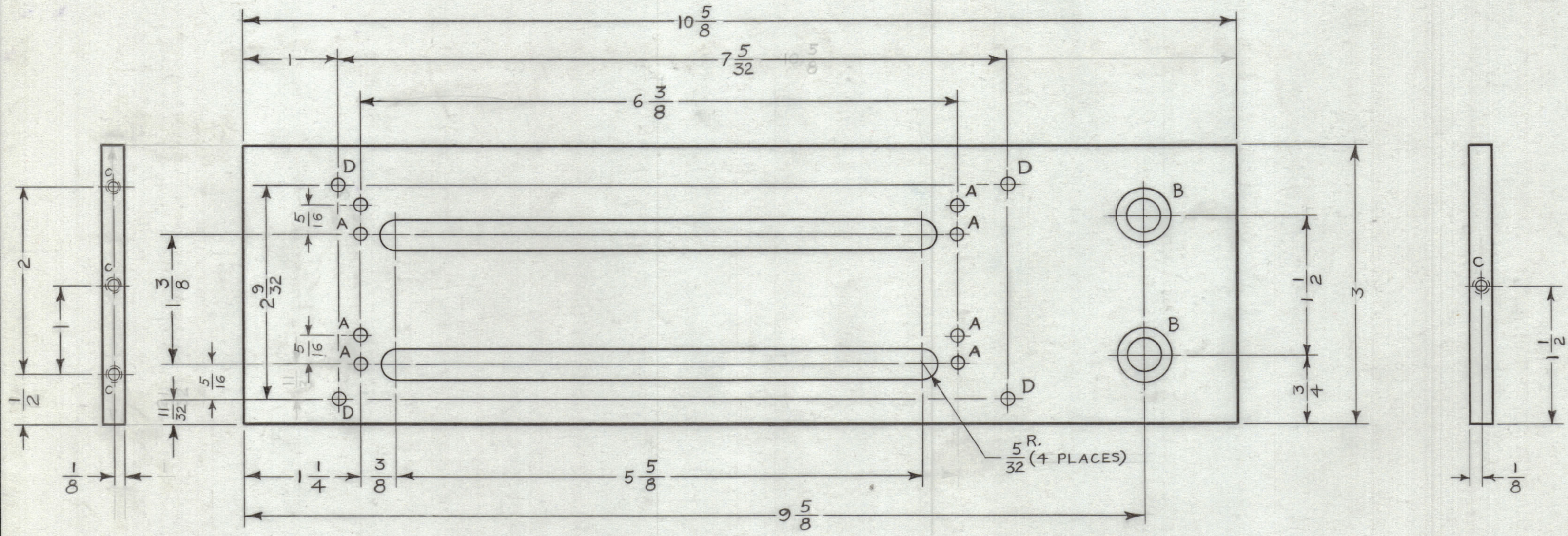
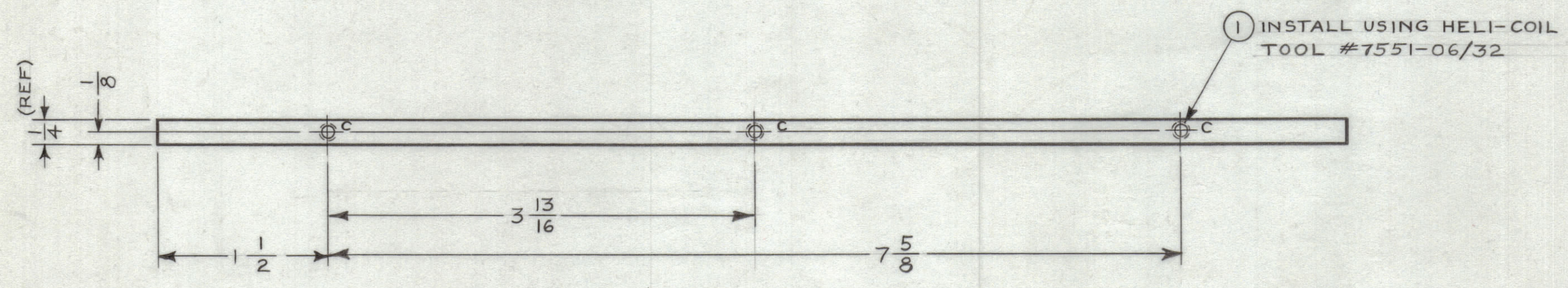


REVISIONS							
ZONE	SYM	DESCRIPTION	DATE	E.M.N. NO.	DRAFT	CHKD	APPD
	X	EXPERIMENTAL RELEASE	3/14/64		NP		
	Ø	ORIGINAL RELEASE FOR PRODUCTION	6-10-65	-A-	JC		



OPPOSITE EDGE TYPICAL



OPPOSITE EDGE TYPICAL

HOLE LEGEND		
HOLE	DESCRIPTION	REQ'D
A	DR #28 (.140)	8
B	3/8 DIA. THRU & C'BORE 19/32 19/32 DIA X 3/16 DEEP	2
C	DR #24 (.152) X 7/16 DP. & TAP WITH HELI-COIL TAP #06 PB X 5/16 DP.	10
D	DR #25 (.150)	4

REF: LD-1481

1	RAK-42	
Q'TY./UNIT	MODEL USED ON	ASS'Y. NO.
SCALE 1:1	CODE	

THE CONTENTS OF THIS DRAWING ARE THE EXCLUSIVE PROPERTY OF THE TECHNICAL MATERIEL CORP. ITS UNAUTHORIZED USE OR REPRODUCTION IN WHOLE OR IN PART IS STRICTLY FORBIDDEN.

10	1	1185-06CN-.138	INSERT, HELI-COIL	C
REQ'D.	ITEM	PART NUMBER	DESCRIPTION	SYMBOL
I. JOHNSON LIST OF MATERIAL				
MATERIAL		THE TECHNICAL MATERIEL CORP. MAMARONECK, NEW YORK		
FINISH		TITLE		
BLACK, SEMI-GLOSS		PANEL, PATCH		
UNLESS OTHERWISE SPECIFIED DIMENSIONS ARE IN INCHES AND INCLUDE CHEMICALLY APPLIED OR PLATED FINISHES		DRAWN <i>R. Peter</i>	DATE 3-14-64	FINAL APPROVAL <i>[Signature]</i>
DECIMALS .X ± .05 .XX ± .01 .XXX ± .005		CHECKED <i>JCB</i>	DATE 6-10-65	DATE <i>[Signature]</i>
FRACTIONS ± 1/64 ANGLES ± 0° 30'		ELECT. DES. <i>[Signature]</i>	DATE	DATE
TOLERANCES		MECH. DES. <i>[Signature]</i>	DATE	DATE
		SHEET		REV. LTR.
		PX 842		Ø

NOTES

PX-842