

THE CONTENTS OF THIS DRAWING ARE THE EXCLUSIVE PROPERTY OF THE TECHNICAL MATERIEL CORP. ITS UNAUTHORIZED USE FOR REPRODUCTION IN WHOLE OR IN PART IS STRICTLY FORBIDDEN.

REQ. PER UNIT

USED ON

MODEL

ASS'Y. NO.

DATE

1

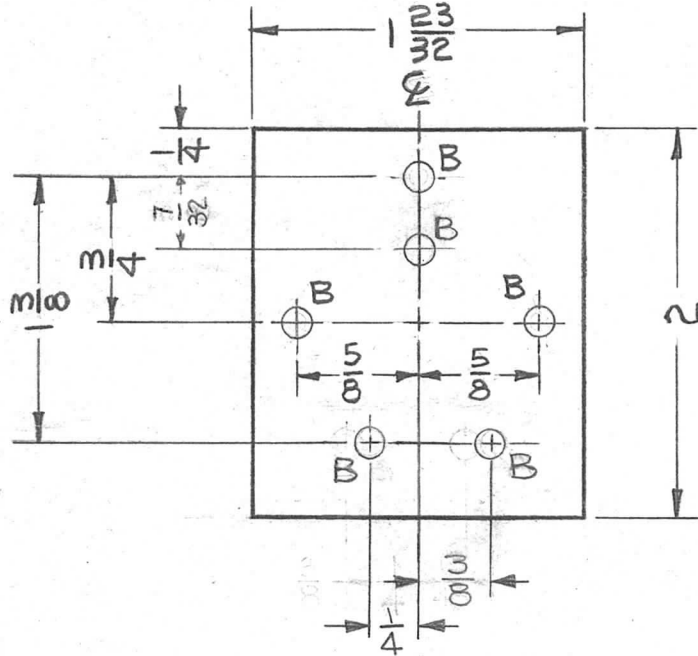
TTR-10

AX-409 THRU AX-412

4-22-63

PX-811

B



HOLE	DESCRIPTION	REQ'D
A	1/16 DIA	1
B	9/64 DIA	6

REF: LD-1306, LD-1307, LD-1308, LD-1309

REQ. ITEM	PART NO.	DESCRIPTION	SYMBOL
	KOHN	E 3037-60	
B	1/8 TH'K ± .004	THE TECHNICAL MATERIEL CORP. MAMARONECK, NEW YORK	
A	2200 REXOLITE	BOARD, IFT TING IPA TANK	
SYM	DESCRIPTION	DATE	CH. NO. DRAFTS CHECKER ENG. APP.
	UNLESS OTHERWISE SPECIFIED DIMENSIONS ARE IN INCHES AND INCLUDE CHEMICALLY APPLIED OR PLATED FINISHES	SCALE	
DECIMALS	FRACTIONS	CODE	
.X ± .05	± 1/64	A	
.XX ± .01	ANGLES		
.XXX ± .005	± 0° 30'		
TOLERANCES			
	FINISH & SPEC. NO.	ELEC. DES. APP.	MECH. DES. APP.
		R.KOHN	W. Jordan 5/16/63
			BP
			PX-811 B