

PX-742 0

THE CONTENTS OF THIS DRAWING ARE THE EXCLUSIVE PROPERTY OF THE TECHNICAL MATERIEL CORP. ITS UNAUTHORIZED USE OR REPRODUCTION IN WHOLE OR IN PART IS STRICTLY FORBIDDEN.

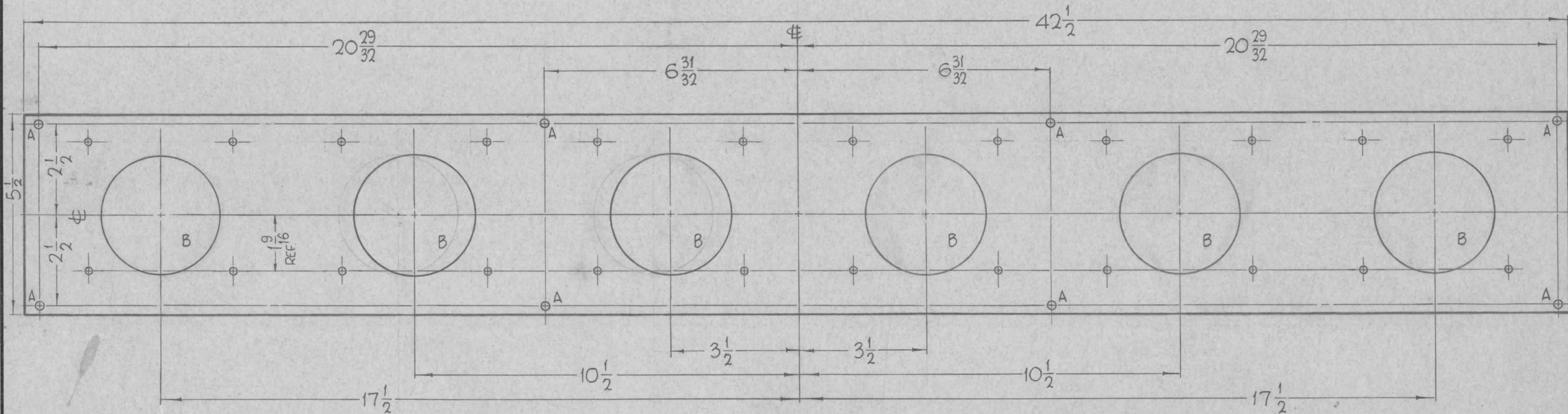
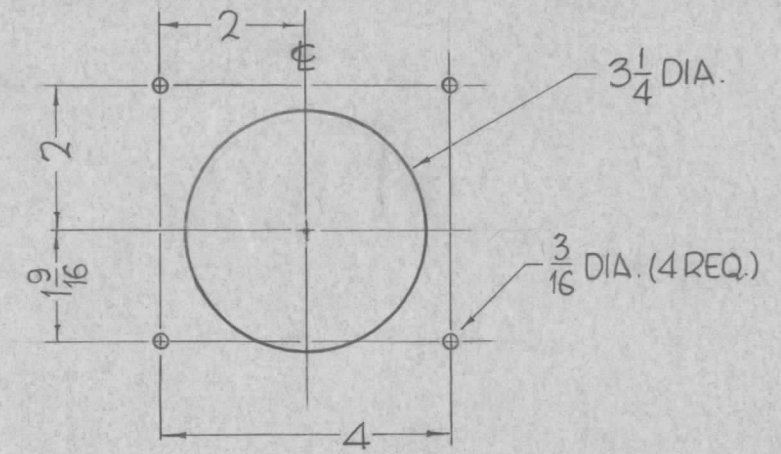
HOLES

A-3/16 DIA.

REQ

8

"B"
(6 REQ.)



REF - TMC DWG. LD-1250

REQ.	ITEM	PART NO.	F. BUDETTI	DESCRIPTION	SYMBOL
	1/4 THICK			THE TECHNICAL MATERIEL CORP.	
	STOCK SIZE			MAMARONECK, NEW YORK	
	PHENOLIC			PANEL, METER MTG.	
	MATERIAL			FINAL AMPL.	
	XXXXP		John C. Biele		
	TYPE & TEMPER	HEAT TREAT. SPEC.	DRAWN	CHECKED	FINAL APPROVAL
	BLACK MATTE		J.B.	as 3/16/64	PX-742 0
	FINISH & SPEC. NO.		ELÉC. DES. APP.	MECH. DES. APP.	

SYM	DESCRIPTION	DATE	CH. NO.	DRAFTS	CHECKER	ENG. APP.
0	ORIGINAL RELEASE FOR PRODUCTION	5-13-64	0	A.M.		

REQ. PER UNIT	MODEL	SECTION	ASS'Y. NO.	DATE
1	GPT-200K		AM-118	8-14-63

UNLESS OTHERWISE SPECIFIED:		SCALE:
DIMENSIONS ARE IN INCHES		3/8" = 1"
TOLERANCES ON FRACTIONS ± 1/64 DECIMALS ± .005 ANGLES ± 1/2°		
CODE A		
MAXIMUM ALLOWABLE TOLERANCES HAVE BEEN DETERMINED AND ANY DEVIATIONS WILL BE CAUSE FOR REJECTION. REMOVE ALL BURRS AND SHARP EDGES		