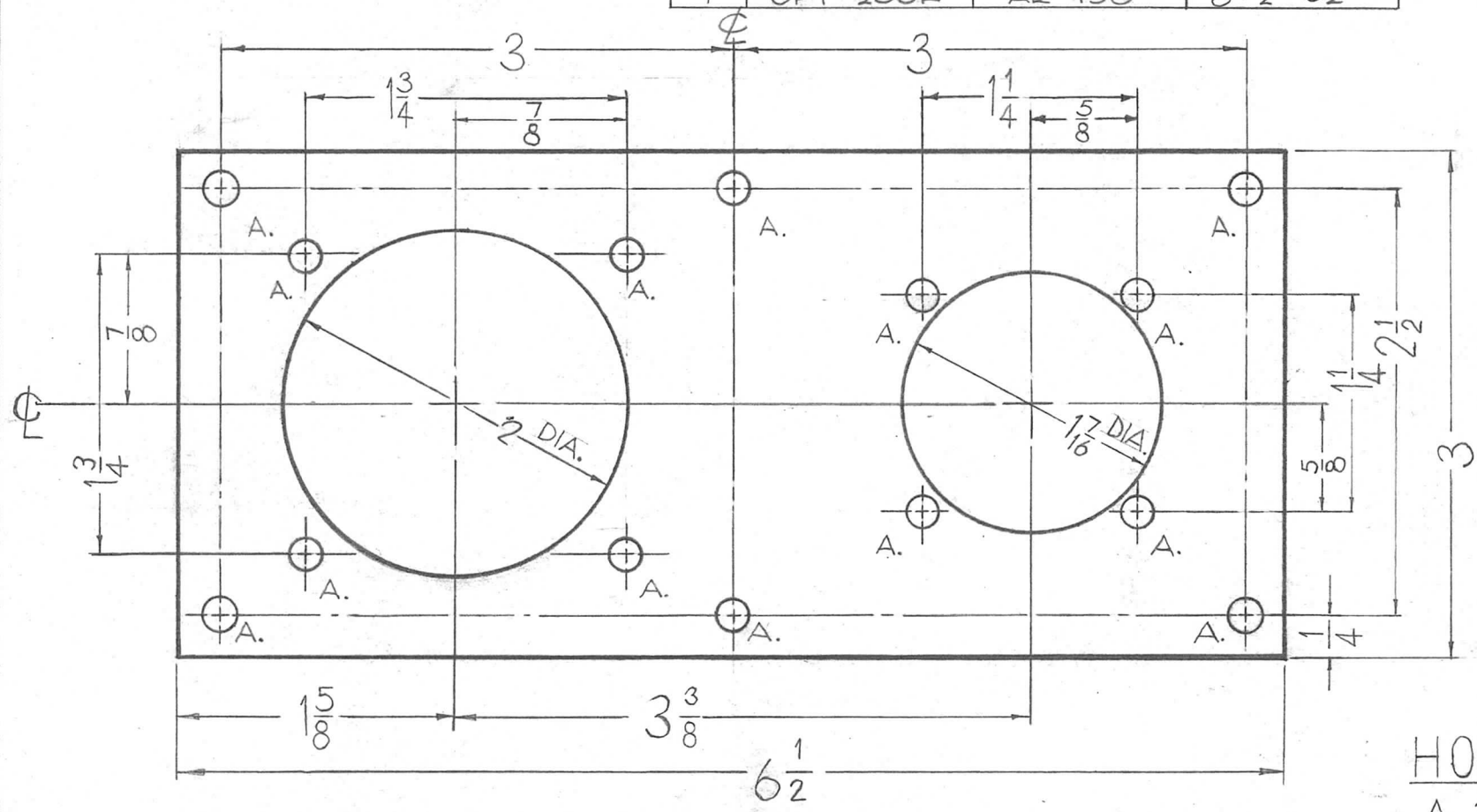


THE CONTENTS OF THIS DRAWING ARE THE EXCLUSIVE PROPERTY OF THE TECHNICAL MATERIEL CORP. ITS UNAUTHORIZED USE OR REPRODUCTION IN WHOLE OR IN PART IS STRICTLY FORBIDDEN.

REQ. PER UNIT	USED ON		
	MODEL	ASS'Y. NO.	DATE
1	GPT-200K	AR-137	8-2-62
1	GPT-200K	AR-138	8-2-62

PX-741 0



HOLE'S REQ.
A. 11/64 DIA. 14

REF: TMC DWG LD-1245- & LD-1246-

SYM	DESCRIPTION	DATE	CH. NO.	DRAFTS	CHECKER	ENG. APP.	REQ. ITEM	PART NO.	DESCRIPTION	SYMBOL
							1/4 THICK		THE TECHNICAL MATERIEL CORP. MAMARONECK, NEW YORK	
							STOCK SIZE			
O	ORIGINAL RELEASE FOR PROD.	4-24-64			SRG		EPOXY		BOARD, CONNECTOR MTG.	
A	REDRAWN AND REVISED						MATERIAL		RELAY PANEL	
	UNLESS OTHERWISE SPECIFIED: DIMENSIONS ARE IN INCHES	SCALE: 1:1			CODE A		G-11	J.F. VITRO	aa	RJC
	TOLERANCES ON FRAC. ± 1/64 DEC. ± .005 ANGLES ± 1/2°	MAXIMUM ALLOWABLE TOLERANCES HAVE BEEN DETERMINED AND ANY DEVIATIONS WILL BE CAUSE FOR REJECTION. REMOVE ALL BURRS AND SHARP EDGES					NATURAL S-113	2031B	MECH. DES. APP.	PX-741 0
							FINISH & SPEC. NO.	ELEC. DES. APP.		