

THE CONTENTS OF THIS DRAWING ARE THE EXCLUSIVE PROPERTY OF THE TECHNICAL MATERIEL CORP. ITS UNAUTHORIZED USE FOR REPRODUCTION IN WHOLE OR IN PART IS STRICTLY FORBIDDEN.

REQ. PER UNIT

USED ON

MODEL

ASS'Y. NO.

DATE

4

GPT-200K

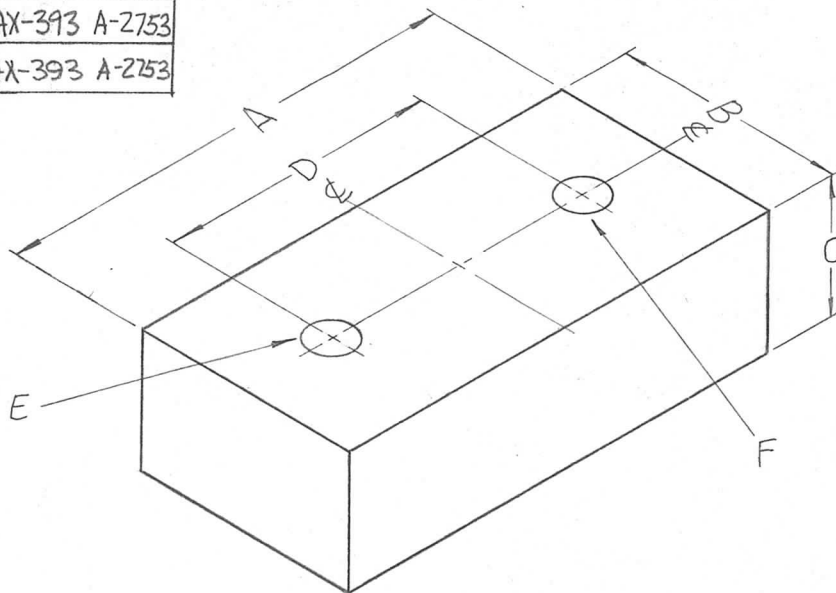
AX-393

3-12-63

PX-733

○

TMC NO.	DIMENSIONS						REQ.	SECTION
	A	B	C	D	E	F		
PX 733-1	2-1/2	1-1/4	5/8	1-1/2	13/64	13/64	4	AX-393 A-2753
PX 733-2	2-1/2	1-1/4	3/4	1-1/2	13/64	13/64	4	AX-393 A-2753



REQ.	ITEM	PART NO.	F. BUDETTI DESCRIPTION				SYMBOL
		G-7	THE TECHNICAL MATERIEL CORP. MAMARONECK, NEW YORK				
		STOCK SIZE	SPACER				
		SILICONE GLASS	MATERIAL				
		G-7	SRG	aa	RAC		
		TYPE & TEMPER	HEAT TREAT. SPEC.	DRAWN	CHECKED	FINAL APPROVAL	
				OB	Wc	PX-733 ○	
		FINISH & SPEC. NO.	ELEC. DES. APP.	MECH. DES. APP.			

UNLESS OTHERWISE SPECIFIED DIMENSIONS ARE IN INCHES AND INCLUDE CHEMICALLY APPLIED OR PLATED FINISHES	SCALE	DATE	CH. NO.	DRAFTS	CHECKER	ENG. APP.
DECIMALS .X ± .05 .XX ± .01 .XXX ± .005	FRACTIONS ± 1/64 ANGLES ± 0° 30'	5-13-64	0	A.M.		
TOLERANCES	CODE A					