

THE CONTENTS OF THIS DRAWING ARE THE EXCLUSIVE PROPERTY OF THE TECHNICAL MATERIEL CORP. ITS UNAUTHORIZED USE OR REPRODUCTION IN WHOLE OR IN PART IS STRICTLY FORBIDDEN.

REQ. PER UNIT

1

MODEL

LFA-2

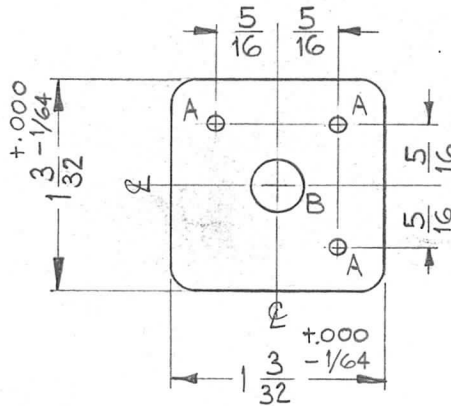
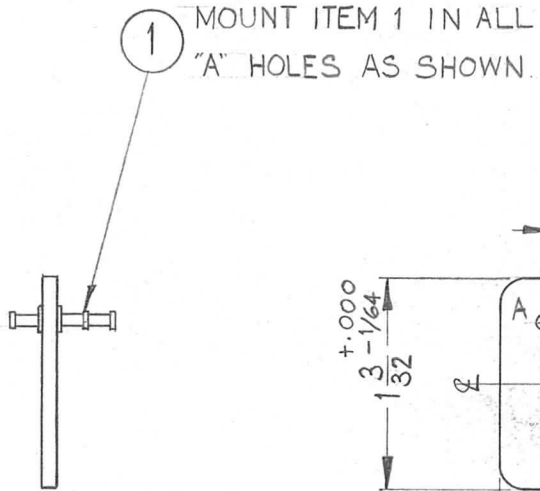
USED ON

ASS'Y. NO.

DATE

12-29-61

PX-647



LEGEND

HOLE	DESCRIPTION	REQ.
A	5/64 DIA.	3
B	17/64 DIA.	1

3	1	TE-168-4-B	TERMINAL, MINIATURE	A						
REQ.	ITEM	PART NO.	DESCRIPTION	SYMBOL						
		1/16	THE TECHNICAL MATERIEL CORP.							
		STOCK SIZE	MAMARONECK, NEW YORK							
		PHENOLIC	TERMINAL BOARD, 3 LUG,							
		MATERIAL	MOUNTING, TRANSFORMER							
SYM	DESCRIPTION	DATE	CH. NO.	DRAFTS	CHECKER	ENG. APP.				
UNLESS OTHERWISE SPECIFIED:		SCALE: FULL (DO NOT SCALE).				XXXX LAMINATE				
DIMENSIONS ARE IN INCHES.		MAXIMUM ALLOWABLE TOLERANCES HAVE BEEN DETERMINED AND ANY DEVIATIONS WILL BE CAUSE FOR REJECTION.				TYPE & TEMPER	HEATTREAT. SPEC.	DRAWN	CHECKED	FINAL APPROVAL
TOLERANCES ON		REMOVE ALL BURRS AND SHARP EDGES				NATURAL				
FRAC. ± 1/64 DEC. ± .005 ANGLES ± 1/2°						FINISH & SPEC. NO.	ELEC. DES. APP.	MECH. DES. APP.	PX-647	