

THE CONTENTS OF THIS DRAWING ARE THE EXCLUSIVE PROPERTY OF THE TECHNICAL MATERIEL CORP. ITS UNAUTHORIZED USE OR REPRODUCTION IN WHOLE OR IN PART IS STRICTLY FORBIDDEN.

REQ. PER UNIT

1

MODEL

TER-250/3000

USED ON

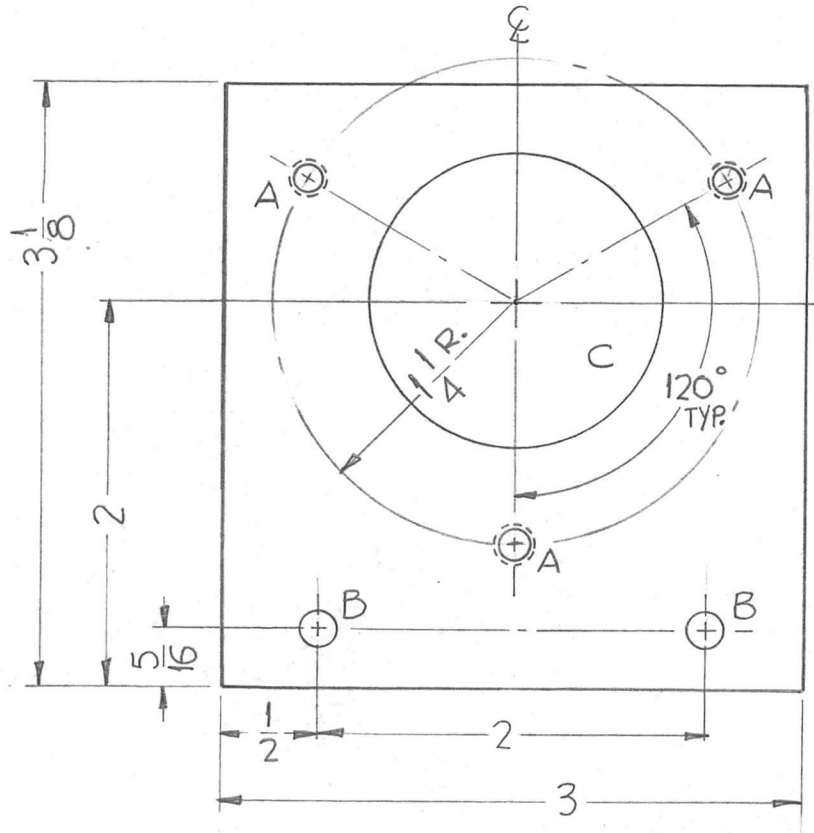
ASSY. NO.

A-2225

DATE

11-1-61

PX-637



HOLES

A ~ 8-32 Tapped Hole
 B ~ 3/16" Dia.
 C ~ 1/2" Dia.

REQ

3
2
1

REQ.	ITEM	PART NO.	DESCRIPTION		SYMBOL	
		1/4" THK.	THE TECHNICAL MATERIEL CORP.			
		STOCK SIZE	MAMARONECK, NEW YORK			
		SILICONE GLASS	INSULATOR, RESISTOR			
		MATERIAL	SUPPORT			
SYM	DESCRIPTION	DATE	CH. NO.	DRAFTS	CHECKER	ENG. APP.
UNLESS OTHERWISE SPECIFIED: DIMENSIONS ARE IN INCHES TOLERANCES ON FRAC. ± 1/64 DEC. ± .005 ANGLES ± 1/2°		SCALE: MAXIMUM ALLOWABLE TOLERANCES HAVE BEEN DETERMINED AND ANY DEVIATIONS WILL BE CAUSE FOR REJECTION. REMOVE ALL BURRS AND SHARP EDGES				
	G7					
	TYPE & TEMPER	HEAT TREAT. SPEC.	DRAWN	CHECKED	FINAL APPROVAL	
	NATURAL		aa		PX-637	
	FINISH & SPEC. NO.	ELEC. DES. APP.	MECH. DES. APP.			