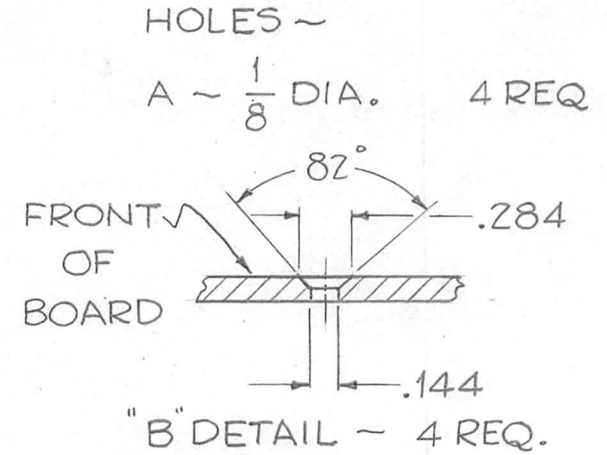
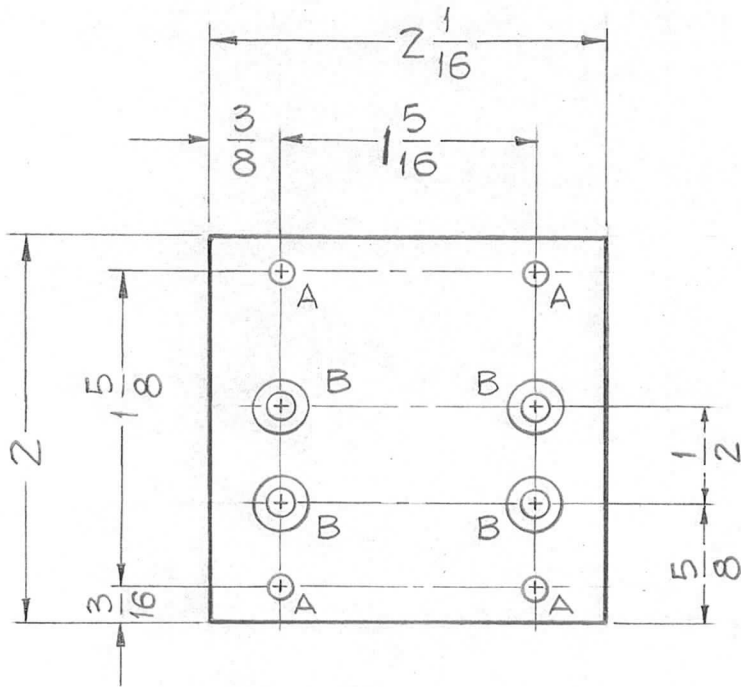


REQ. PER UNIT	USED ON			PX-574	A
	MODEL	ASS'Y. NO.	DATE		
1	GPT40K	AR-116	7-1-60		



* FUNGUS PROOFING PER TMC SPECIFICATION S-113

REF ~ AR-124

REQ.	ITEM	PART NO.	DESCRIPTION			SYMBOL
		1/8 THICK	THE TECHNICAL MATERIEL CORP.			
		STOCK SIZE	MAMARONECK, NEW YORK			
A	S113 ADDED	PHENOLIC	INSULATOR, TUBE PROTECT			
		MATERIAL	RELAY MOUNTING			
		XXXXP	J.C. Biele	<i>Jde</i>	<i>2g</i>	
		TYPE & TEMPER	DRAWN	CHECKED	FINAL APPROVAL	
		NATURAL *		<i>Wre</i>	PX-574	A
		FINISH & SPEC. NO.	ELEC. DES. APP	MECH. DES. APP		
TOLERANCES		SCALE: FULL ~ DO NOT SCALE-				
DEC. DIM. ±		MAXIMUM ALLOWABLE TOLERANCES HAVE BEEN DETERMINED AND ANY DEVIATIONS WILL BE CAUSE FOR REJECTION.				
FRAC. DIM. ± 1/64		REMOVE ALL BURRS AND SHARP EDGES				
ANGULAR DIM. ±						