

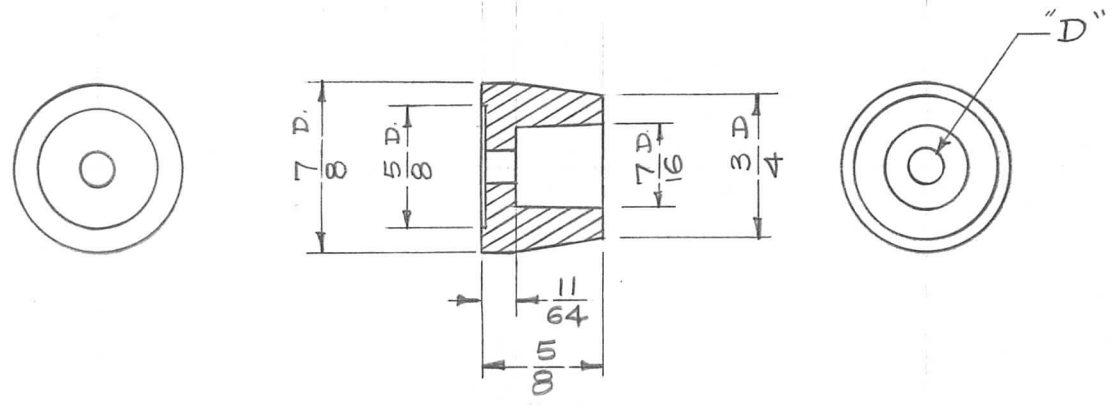
TMC NO.	"D" HOLE	MFG. NO.
PX-404-1	.150 Thru	4000
PX-404-2	.168 Thru	4000A
PX-404-3	.190 Thru	4000C
PX-404-4	10-24 Thd. Thru	4000B

REQ. PER UNIT	USED ON		
	MODEL	ASS'Y. NO.	DATE
4	ATS-MCU-2		4-2-58

PX-404

4 ATS-MCU-2

6-8-59  
**STANDARD DRAWING**



Ref: HARRY DAVIES MOLDING Co. MOLD 4000

REQ. ITEM	PART NO.	DESCRIPTION	SYMBOL
		THE TECHNICAL MATERIEL CORP. MAMARONECK, NEW YORK	
	STOCK SIZE	MEG, EQUIPMENT	
	MATERIAL		
ISSUE	ITEM	CHANGED FROM	DATE
TOLERANCES		SCALE:	
DEC. DIM. ±	MAXIMUM ALLOWABLE TOLERANCES HAVE BEEN DETERMINED AND ANY DEVIATIONS WILL BE CAUSE FOR REJECTION.		
FRAC. DIM. ±	REMOVE ALL BURRS AND SHARP EDGES		
ANGULAR DIM. ±			
General Purpose	HEAT TREAT. SPEC.	DRAWN	CHECKED
BLACK			
FINISH & SPEC. NO.	ELEC. DES. APP.	MECH. DES. APP.	PX-404