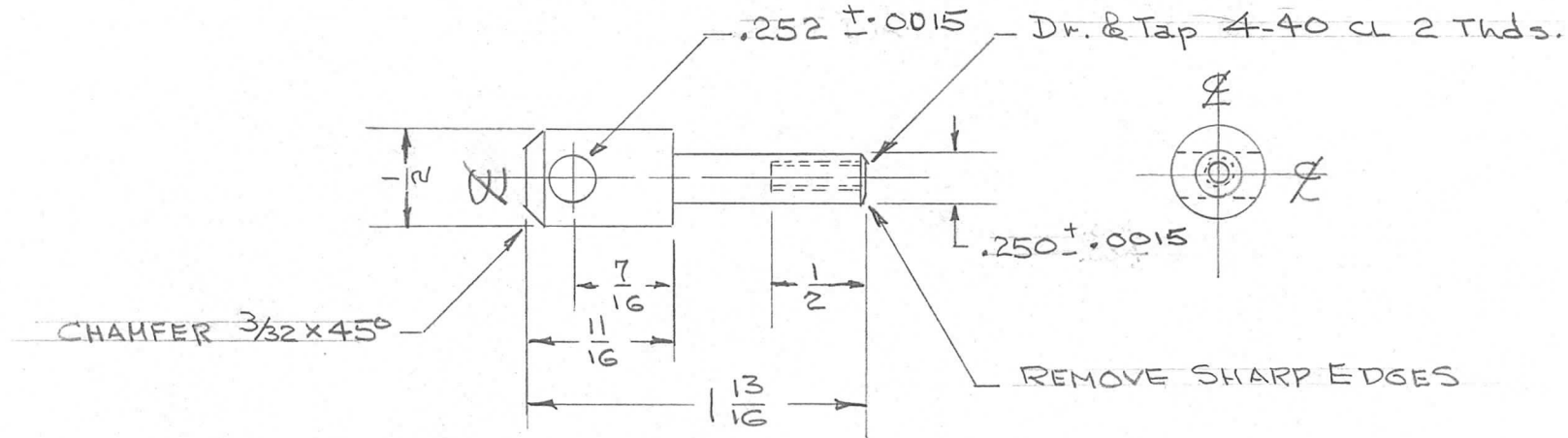


REQ. PER UNIT	USED ON			PX-395	B
	MODEL	ASS'Y. NO.	DATE		
1	ATS-50 TU		12-18-57		
1	ATS-70 TU		"		



* FUNGUS PROOFING PER
TMC SPECIFICATION S-113

REQ.	ITEM	PART NO.	DESCRIPTION				SYMBOL	
		$1/2$ DIA.	THE TECHNICAL MATERIEL CORP.					
		STOCK SIZE	MAMARONECK, NEW YORK					
B		PHENOLIC	ROD CONNECTING					
A	2	CHANGED FROM	DATE	CH. NO.	DRAFTS	CHECKER	ENG. APP.	
	1	$.250 \pm .0015$ was $.250 \pm .001$	3/31/58	1	file	file	gdr	
		$.252$ was $.257$ DIA						
TOLERANCES			SCALE:					
DEC. DIM. $\pm .0015$			MAXIMUM ALLOWABLE TOLERANCES HAVE BEEN DETERMINED AND ANY DEVIATIONS WILL BE CAUSE FOR REJECTION.					
FRAC. DIM. $\pm 1/64$			REMOVE ALL BURRS AND SHARP EDGES					
ANGULAR DIM. \pm			TYPE & TEMPER		HEAT TREAT. SPEC.	DRAWN	CHECKED	FINAL APPROVAL
			NATURAL *			6 ^{12/14/57} file	file	gdr
			FINISH & SPEC. NO.		ELEC. DES. APP.	MECH. DES. APP.	PX-395	B