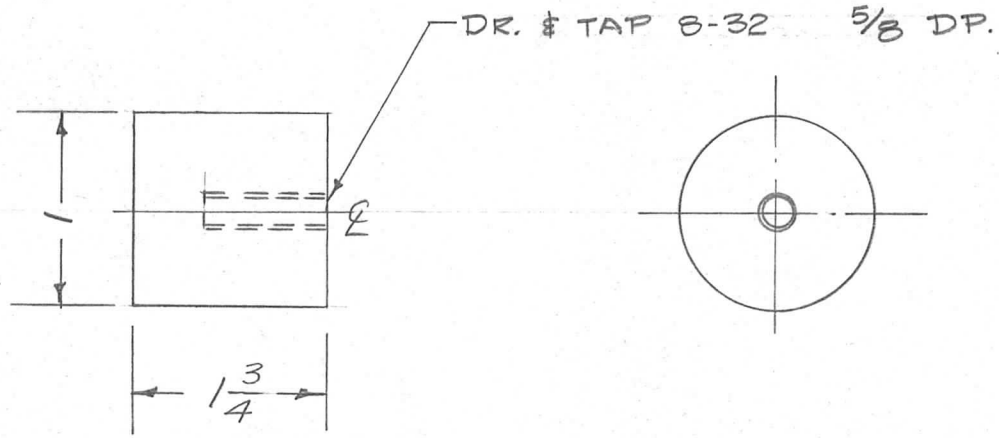


REQ. PER UNIT	USED ON		
	MODEL	ASS'Y. NO.	DATE
1	A-1397		6-13-57
1	SBE-2		5-5-58

PX-328 A



ISSUE	ITEM	CHANGED FROM	DATE	CH. NO.	DRAFTS	CHECKER	ENG. APP.	REQ. ITEM	PART NO.	DESCRIPTION	SYMBOL	
								1" DIA ROD		THE TECHNICAL MATERIEL CORP. MAMARONECK. NEW YORK		
								STOCK SIZE				
A	1	1 3/4 "L" WAS 1"	7/31/57	1	16	<i>[Signature]</i>	<i>[Signature]</i>	PHENOLIC		SPACER, CAPACITOR		
TOLERANCES								MATERIAL				
DEC. DIM. ±			SCALE:					XXXXP		166-13-57	<i>[Signature]</i>	<i>[Signature]</i>
FRAC. DIM. ±			MAXIMUM ALLOWABLE TOLERANCES HAVE BEEN DETERMINED AND ANY DEVIATIONS WILL BE CAUSE FOR REJECTION.					LAMINATE			CHECKED	FINAL APPROVAL
ANGULAR DIM. ±			REMOVE ALL BURRS AND SHARP EDGES					NATURAL				
								FINISH & SPEC. NO.	ELEC. DES. APP.	MECH. DES. APP.	PX-328 A	