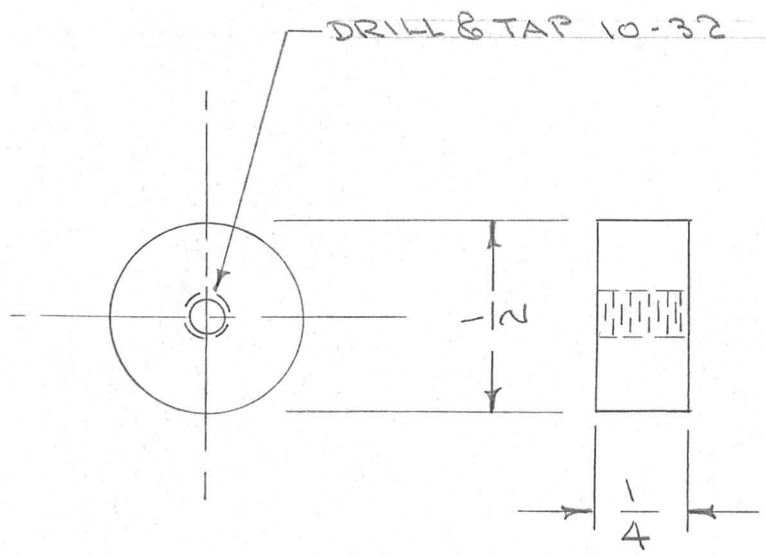


REQ. PER UNIT	USED ON			PX-320
	MODEL	ASS'Y. NO.	DATE	
2	GPR		12-20-55	



REQ.	ITEM	PART NO.	DESCRIPTION			SYMBOL	
		1/2 D. ROD	THE TECHNICAL MATERIEL CORP.				
		STOCK SIZE	MAMARONECK, NEW YORK				
		PHENOLIC	CAP, METER TERMINAL				
		MATERIAL	GPR				
ISSUE	ITEM	CHANGED FROM	DATE	CH. NO.	DRAFTS	CHECKER	ENG. APP.
TOLERANCES			SCALE:				
DEC. DIM. $\pm$			MAXIMUM ALLOWABLE TOLERANCES HAVE BEEN DETERMINED AND ANY DEVIATIONS WILL BE CAUSE FOR REJECTION.				
FRAC. DIM. $\pm \frac{1}{64}$			REMOVE ALL BURRS AND SHARP EDGES				
ANGULAR DIM. $\pm$							
TYPE & TEMPER		HEAT TREAT. SPEC.	DRAWN	CHECKED	FINAL APPROVAL		
BLACK					WDC		
FINISH & SPEC. NO.		ELEC. DES. APP.	MECH. DES. APP.	PX-320			