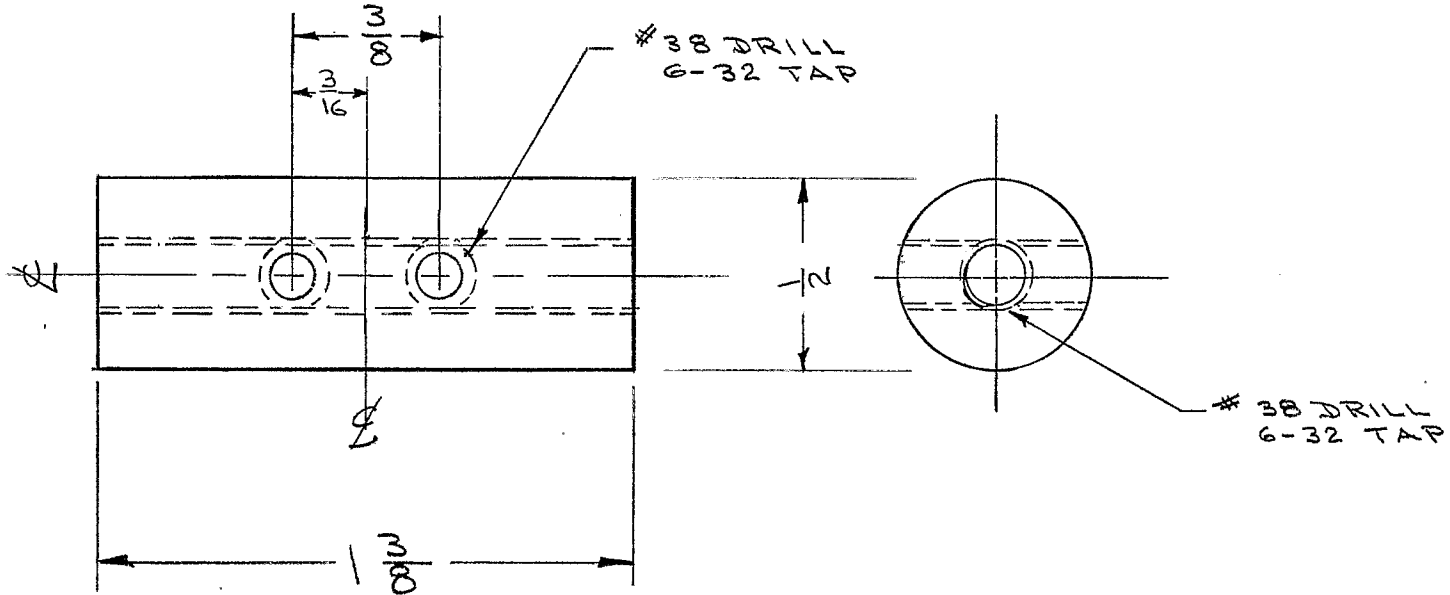


IF IT IS FOUND DESIRABLE TO CHANGE ANY TOLERANCE OR OTHER DETAIL SPECIFIED ON THIS DRAWING NOTIFY THE PURCHASER PROMPTLY.

PX-246

MAXIMUM ALLOWABLE TOLERANCES HAVE BEEN DETERMINED AND DEVIATIONS WILL BE CAUSE FOR REJECTION. REMOVE ALL BURRS AND SHARP EDGES

REQ PER UNIT	USED ON			
	MODEL	PROJECT NO.	ASSY. NO.	DATE
1	DAC-3		A-883	11/10/54



REQ.	ITEM	PART NO.	DESCRIPTION	SYMBOL
		1/2 DIA.	THE TECHNICAL MATERIEL CORP.	
		STOCK SIZE	MAMARONECK. NEW YORK	
		PHENOLIC	HOLDER, SPARK ROD	
		MATERIAL WEIGHT PER PC.	MODEL DAC-3	
		LINEN BASE		
		TYPE & TEMPER	JAD 11/10/54	WJC
			DRAWN	ELEC. DES. APP.
			CSB 11/11/54	WJC
		HEAT TREAT. SPEC.	CHECKED	FINAL APPROVAL
		NATURAL		PX-246
		FINISH & SPEC. NO.		

ISSUE	ITEM	CHANGED FROM	DATE	CN. NO.	DRAFTS	CHECKER	ENG. APP.
ALL OTHERS		DEC. DIM. ± FRAC. DIM. ± ANGULAR DIM. ±					
TOLERANCES			SCALE				
			DRILL, PUNCH, COMMERCIAL STOCK SIZES AND MANUFACTURERS TOLERANCES ARE NOT INCLUDED.				