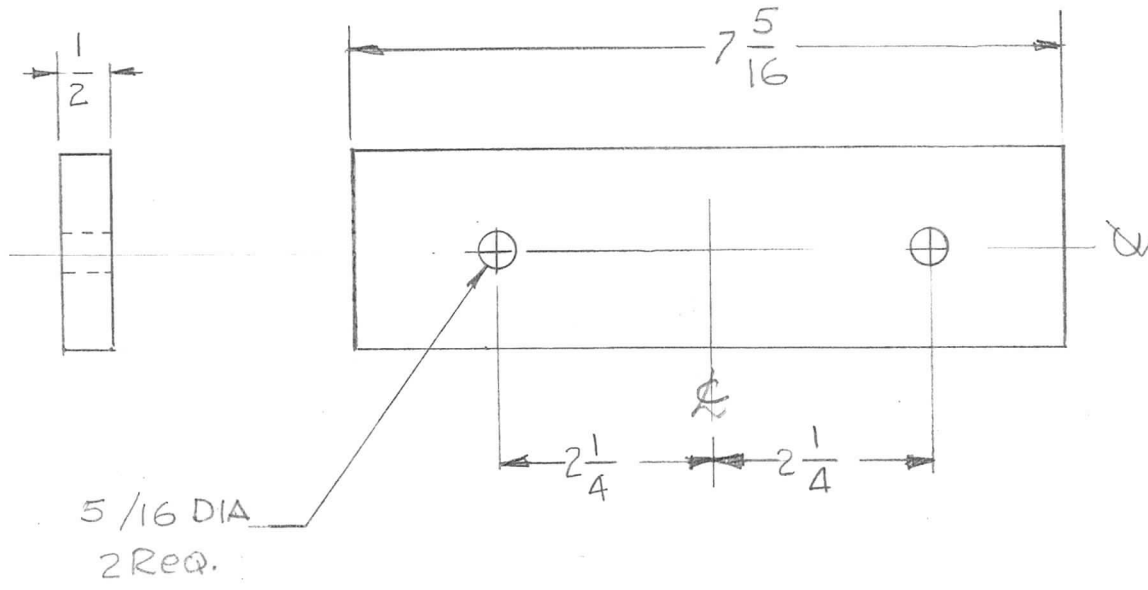


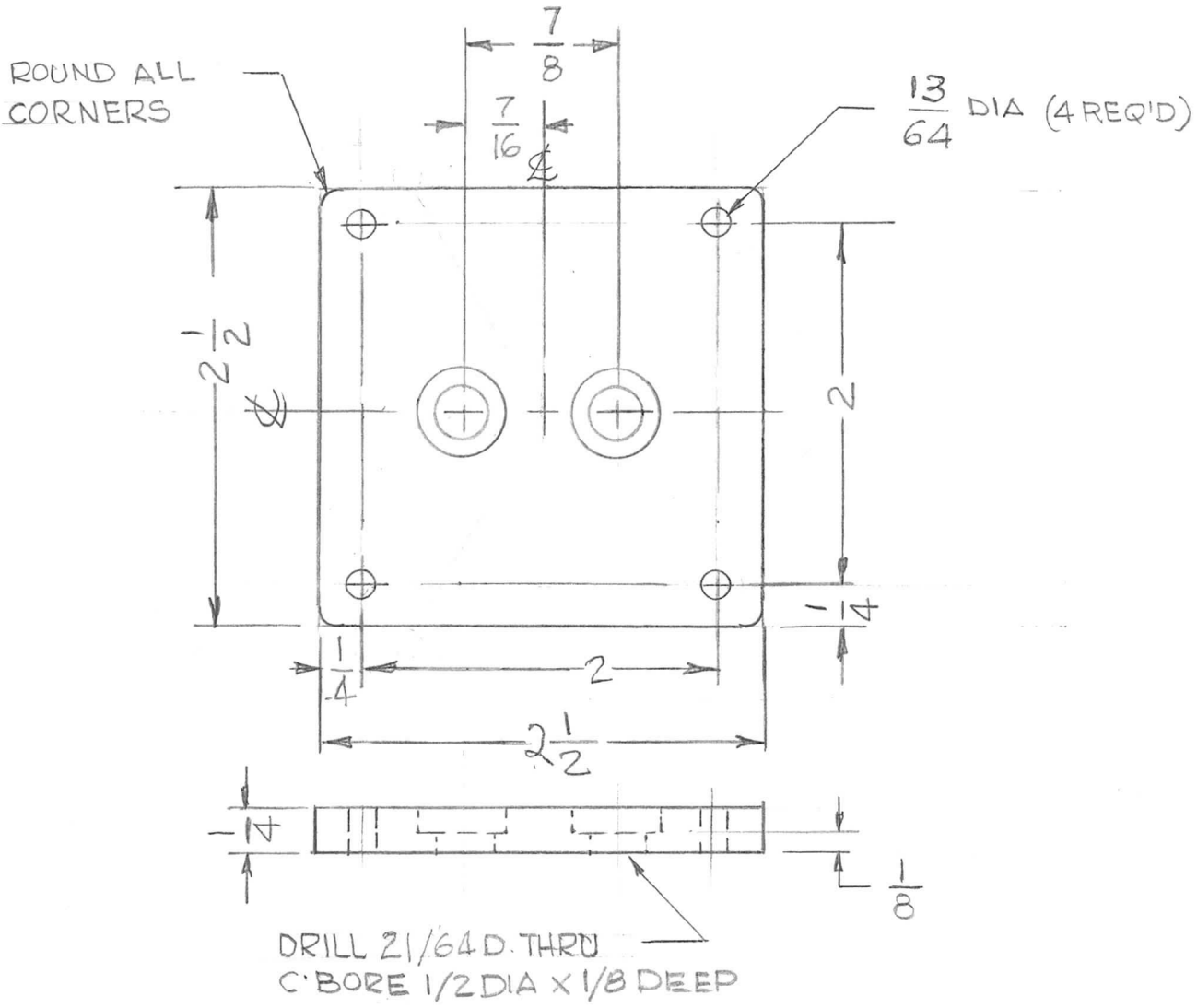
APPLICATION			REVISIONS						
QTY	MODEL USED ON	ASS'Y NO.	LTR	DESCRIPTION	DATE	E.M.N.NO	DRAFT	CHKD	APPD
2	TRC-10K		Ø	ORIG. RELEASE FOR PROD.	3-20-91		G.D.L		



UNLESS OTHERWISE SPECIFIED DIMENSIONS ARE IN INCHES AND INCLUDE CHEMICALLY APPLIED OR PLATED FINISHES		REQ'D	ITEM	PART NUMBER	DESCRIPTION	SYM.
DECIMALS: .X ± .05, .XX ± .01, .XXX ± .005 FRACTIONS: 1/64, ANGLES: 0°-30'		LIST OF MATERIAL				
MATERIAL G10 EPOXY		FINAL APPROVAL		DATE	THE TECHNICAL MATERIEL CORP. MAMARONECK, NEW YORK SPACER MTG. PLATE	
FINISH NATURAL		MECH. DES.		DATE		
5113 FUNGUS PROVE		ELECT. DES.		DATE		
		CHECKED		DATE		
		DRAWN	G.D.L	DATE		
				3-20-91		

NOTICE TO PERSONS RECEIVING THIS DRAWING THE TECHNICAL MATERIEL CORPORATION claims proprietary right in the material disclosed hereon. This drawing is issued in confidence for engineering information only and may not be reproduced or used to manufacture anything shown hereon without permission from THE TECHNICAL MATERIEL CORPORATION to the user. This drawing is loaned for mutual assistance and is subject to recall at any time.	SIZE	CODE IDENT. NO.	DWG NO.	ISSUE
	A	82679	PX1305	Ø
SCALE 1/2		SHEET		OF

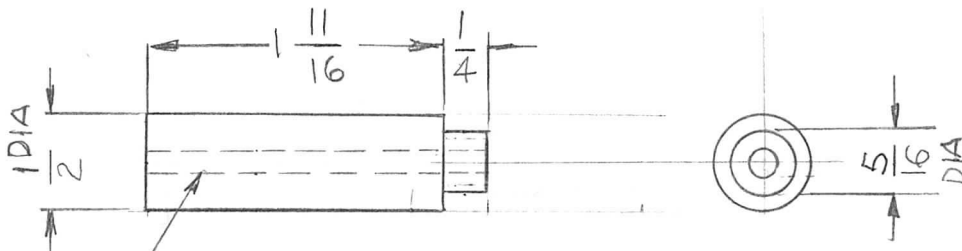
APPLICATION			REVISIONS						
QTY	MODEL USED ON	ASS'Y NO.	LTR	DESCRIPTION	DATE	E.M.N.NO	DRAFT	CHKD	APPD
1	AMC-32 / 5FØ		A	13/64 DIA HOLES WAS 9/64	8.20.91			G.D.L	
1	LF MF 4x8								



UNLESS OTHERWISE SPECIFIED DIMENSIONS ARE IN INCHES AND INCLUDE CHEMICALLY APPLIED OR PLATED FINISHES		REQ'D	ITEM	PART NUMBER	DESCRIPTION	SYM.
LIST OF MATERIAL						
DECIMALS .X ± .05 .XX ± .01 .XXX ± .005		FRACTIONS 1/64 TOLS. ANGLES 0° - 30'		THE TECHNICAL MATERIEL CORP. MAMARONECK, NEW YORK		
MATERIAL G10 (1/4 THK) EPOXY		FINAL APPROVAL		DATE		
FINISH NATURAL		MECH. DES. J I		DATE 7/11/91		
		ELECT. DES.		DATE		
		CHECKED		DATE		
		DRAWN G.D.L		DATE 7-10-91		
NOTICE TO PERSONS RECEIVING THIS DRAWING THE TECHNICAL MATERIEL CORPORATION claims proprietary right in the material disclosed hereon. This drawing is issued in confidence for engineering information only and may not be reproduced or used to manufacture anything shown hereon without permission from THE TECHNICAL MATERIEL CORPORATION to the user. This drawing is loaned for mutual assistance and is subject to recall at any time.				SIZE	CODE IDENT. NO.	DWG NO.
				A	82679	PX 1309
				ISSUE	A	
SCALE 1:1				SHEET		OF

APPLICATION			REVISIONS						
QTY	MODEL USED ON	ASS'Y NO.	LTR	DESCRIPTION	DATE	E.M.N.NO	DRAFT	CHKD	APPD

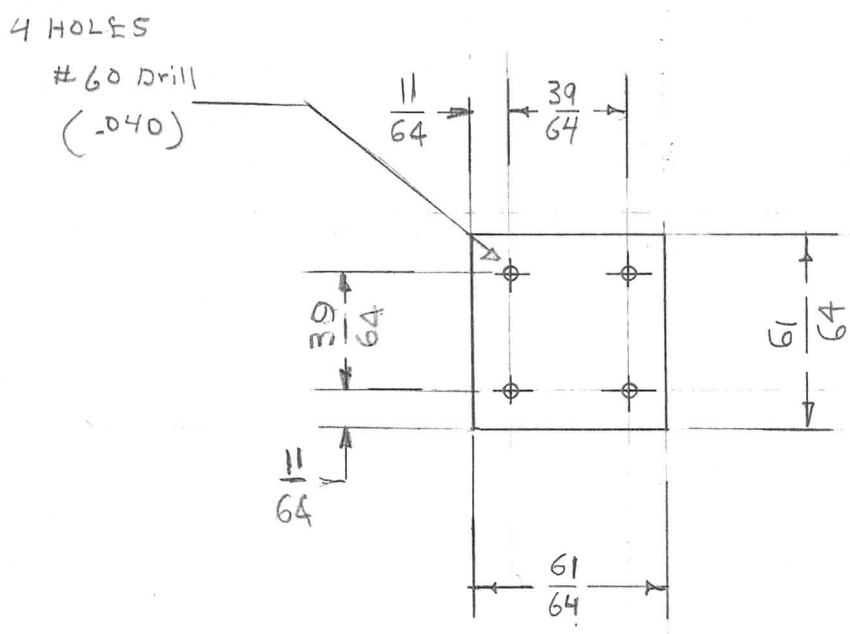
2 TRC-20W AS880



<small>UNLESS OTHERWISE SPECIFIED DIMENSIONS ARE IN INCHES AND INCLUDE CHEMICALLY APPLIED OR PLATED FINISHES</small> <small>DECIMALS .X ± .05 .XX ± .01 .XXX ± .005</small> <small>FRACTIONS 1/64 ANGLES 0°-30'</small> MATERIAL 1/2 ROD EPOXY FINISH	REQ'D	ITEM	PART NUMBER	DESCRIPTION	SYM.	
	LIST OF MATERIAL					
	FINAL APPROVAL	[Signature]		DATE	THE TECHNICAL MATERIEL CORP. MAMARONECK, NEW YORK HOLDER CONTACT	
	MECH. DES.			DATE		
	ELECT. DES.			DATE		
	CHECKED			DATE		
DRAWN	G.D.L.		DATE			

<small>NOTICE TO PERSONS RECEIVING THIS DRAWING</small> <small>THE TECHNICAL MATERIEL CORPORATION claims proprietary right in the material disclosed hereon. This drawing is issued in confidence for engineering information only and may not be reproduced or used to manufacture anything shown hereon without permission from THE TECHNICAL MATERIEL CORPORATION to the user. This drawing is loaned for mutual assistance and is subject to recall at any time.</small>	SIZE	CODE IDENT. NO.	DWG NO.	ISSUE
	A	82679	PX 1310	
SCALE 1:1		SHEET		OF

APPLICATION			REVISIONS						
QTY	MODEL USED ON	ASS'Y NO.	LTR	DESCRIPTION	DATE	E.M.N.NO	DRAFT	CHKD	APPD
11	BP 10005		∅	ORIGINAL RELEASE FOR PRODUCTION	10-2792		GDL		

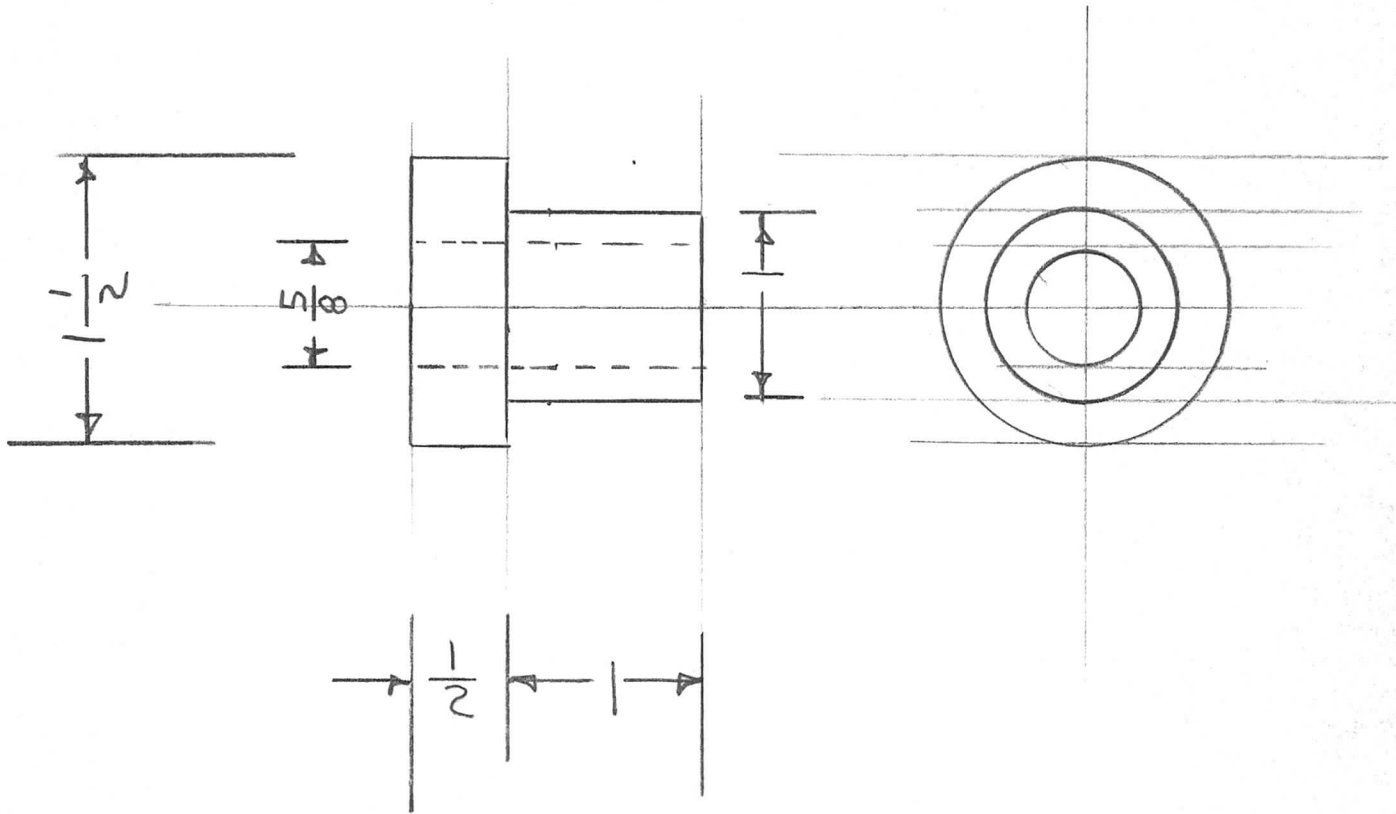


UNLESS OTHERWISE SPECIFIED DIMENSIONS ARE IN INCHES AND INCLUDE CHEMICALLY APPLIED OR PLATED FINISHES		REQ'D	ITEM	PART NUMBER	DESCRIPTION	SYM.
LIST OF MATERIAL						
DECIMALS: .X ± .05, .XX ± .01, .XXX ± .005 FRACTIONS: 1/64 TOLS.: ANGLES 0°-30°		FINAL APPROVAL <i>DR</i>		DATE 9/10/92	THE TECHNICAL MATERIEL CORP. MAMARONECK, NEW YORK BOTTOM COVER (BP 10005)	
MATERIAL .025 THK GIO EPOXY		MECH. DES.		DATE		
FINISH NATURAL		ELECT. DES.		DATE		
		CHECKED		DATE		
		DRAWN <i>DB</i>		DATE 9/9/92		

NOTICE TO PERSONS RECEIVING THIS DRAWING THE TECHNICAL MATERIEL CORPORATION claims proprietary right in the material disclosed hereon. This drawing is issued in confidence for engineering information only and may not be reproduced or used to manufacture anything shown hereon without permission from THE TECHNICAL MATERIEL CORPORATION to the user. This drawing is loaned for mutual assistance and is subject to recall at any time.				SIZE A	CODE IDENT. NO. 82679	DWG NO. PX 1311	ISSUE <input checked="" type="checkbox"/>
SCALE 1:1			SHEET OF				

APPLICATION			REVISIONS						
QTY	MODEL USED ON	ASS'Y NO.	LTR	DESCRIPTION	DATE	E.M.N.NO	DRAFT	CHKD	APPD

VRA-6



UNLESS OTHERWISE SPECIFIED DIMENSIONS ARE IN INCHES AND INCLUDE CHEMICALLY APPLIED OR PLATED FINISHES DECIMALS FRACTIONS .X ± .05 1/64 .XX ± .01 TOLS. ANGLES .XXX ± .005 0° .30'	REQ'D	ITEM	PART NUMBER	DESCRIPTION	SYM.	
	LIST OF MATERIAL					
	FINAL APPROVAL <i>ORB</i>		DATE	THE TECHNICAL MATERIEL CORP.		
	MECH. DES.		DATE	MAMARONECK, NEW YORK		
	ELECT. DES.		DATE	INSULATOR, MAST SUPPORT		
CHECKED		DATE				
DRAWN <i>ORB</i>		DATE				

NOTICE TO PERSONS RECEIVING THIS DRAWING THE TECHNICAL MATERIEL CORPORATION claims proprietary right in the material disclosed hereon. This drawing is issued in confidence for engineering information only and may not be reproduced or used to manufacture anything shown hereon without permission from THE TECHNICAL MATERIEL CORPORATION to the user. This drawing is loaned for mutual assistance and is subject to recall at any time.	SIZE	CODE IDENT. NO.	DWG NO.	ISSUE
	A	82679	PX 1318	
SCALE		SHEET		OF