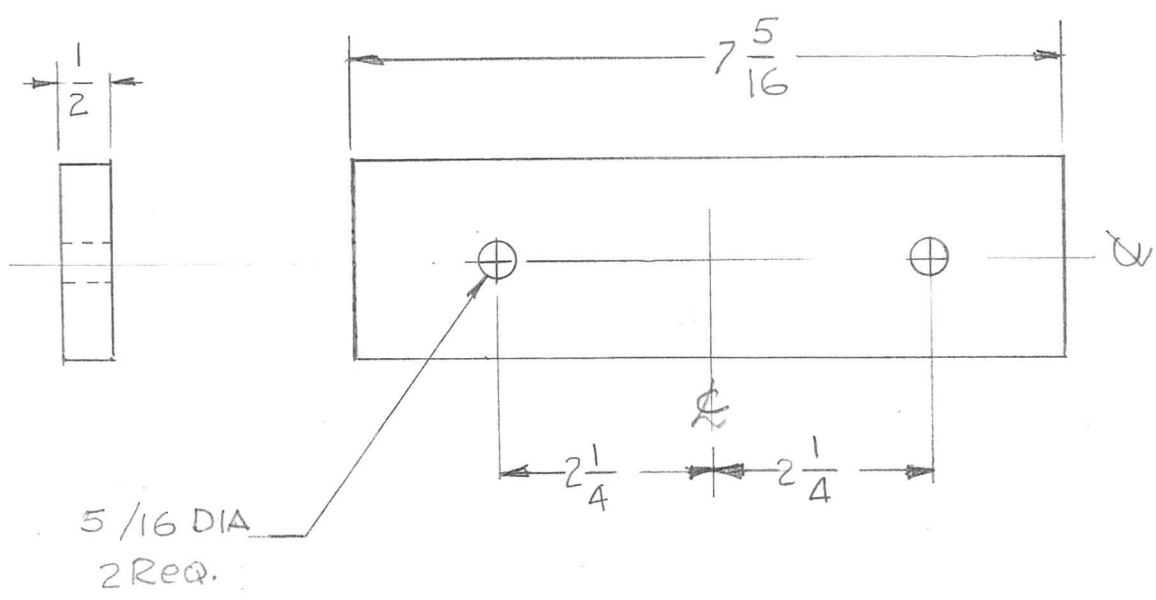


APPLICATION			REVISIONS						
QTY	MODEL USED ON	ASS'Y NO.	LTR	DESCRIPTION	DATE	E.M.N.NO	DRAFT	CHKD	APPD
2	TRC-10K		Ø	ORIG. RELEASE FOR PROD.	3-20-91		G.D.L		



UNLESS OTHERWISE SPECIFIED DIMENSIONS ARE IN INCHES AND INCLUDE CHEMICALLY APPLIED OR PLATED FINISHES		REQ'D	ITEM	PART NUMBER	DESCRIPTION	SYM.
DECIMALS: .X ± .05, .XX ± .01, .XXX ± .005 FRACTIONS: 1/64 TOLS.: ANGLES 0° - 30'		LIST OF MATERIAL				
MATERIAL 610 EPOXY		FINAL APPROVAL		DATE	THE TECHNICAL MATERIEL CORP. MAMARONECK, NEW YORK SPACER MTG. PLATE	
FINISH NATURAL		MECH. DES.		DATE		
5113 FUNGUS PROVE		ELECT. DES.		DATE		
		CHECKED		DATE		
		DRAWN	G.D.L	DATE		
				3-20-91		

NOTICE TO PERSONS RECEIVING THIS DRAWING THE TECHNICAL MATERIEL CORPORATION claims proprietary right in the material disclosed hereon. This drawing is issued in confidence for engineering information only and may not be reproduced or used to manufacture anything shown hereon without permission from THE TECHNICAL MATERIEL CORPORATION to the user. This drawing is loaned for mutual assistance and is subject to recall at any time.	SIZE	CODE IDENT. NO.	DWG NO.	ISSUE
	A	82679	PX1305	Ø
	SCALE 1/2			SHEET OF