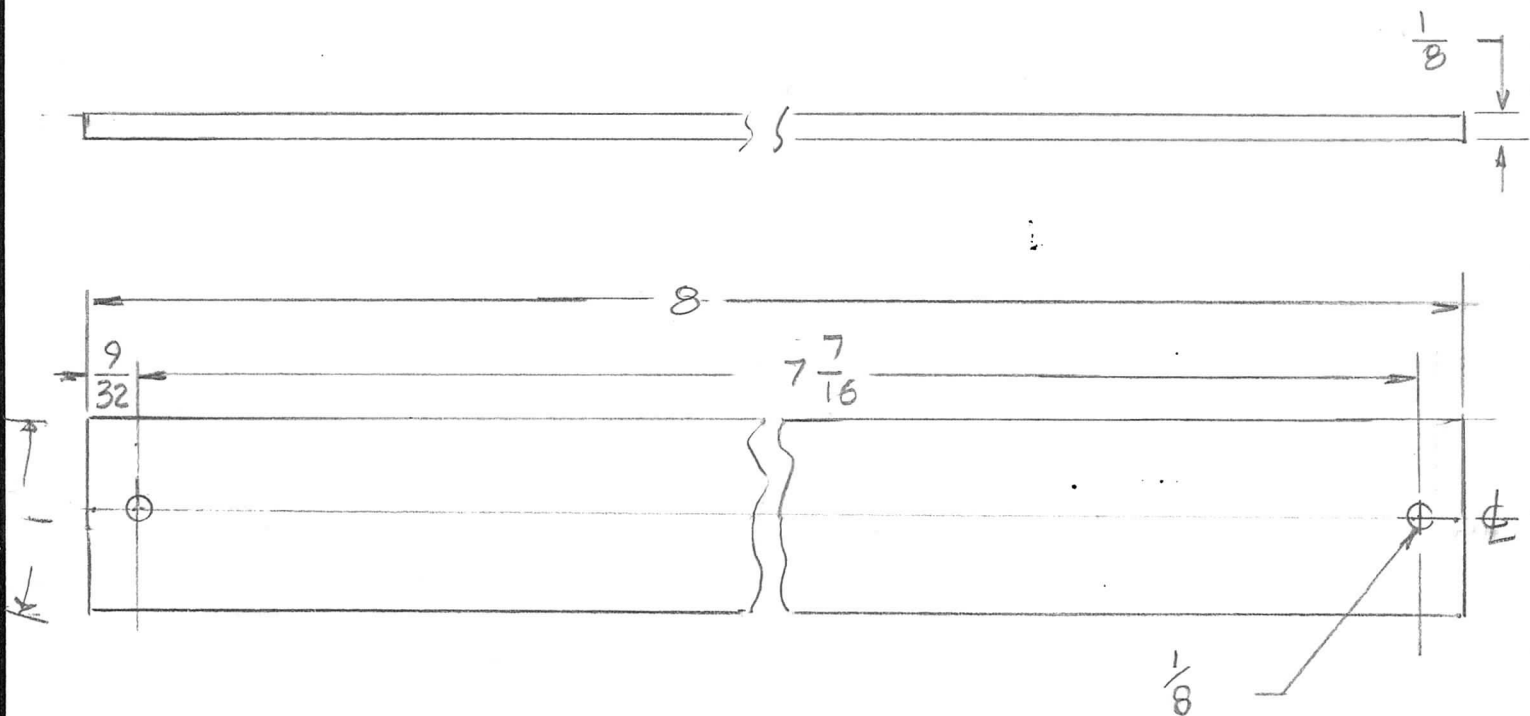


APPLICATION			REVISIONS						
QTY	MODEL USED ON	ASS'Y NO.	LTR	DESCRIPTION	DATE	E.M.N.NO	DRAFT	CHKD	APPD



UNLESS OTHERWISE SPECIFIED DIMENSIONS ARE IN INCHES AND INCLUDE CHEMICALLY APPLIED OR PLATED FINISHES	REQ'D	ITEM	PART NUMBER	DESCRIPTION	SYM.
	LIST OF MATERIAL				
DECIMALS .X ± .05 .XX ± .01 .XXX ± .005	FRACTIONS 1/64 ANGLES 0° -30'	FINAL APPROVAL		DATE	
MATERIAL 1/8 PLEXIGLASS BLU	MECH. DES.	DATE		THE TECHNICAL MATERIEL CORP. MAMARONECK, NEW YORK WINDOW DISPLAY	
FINISH NATURAL	ELECT. DES.	DATE			
Color # 668-0	CHECKED	DATE			
	DRAWN	DATE			

NOTICE TO PERSONS RECEIVING THIS DRAWING THE TECHNICAL MATERIEL CORPORATION claims proprietary right in the material disclosed hereon. This drawing is issued in confidence for engineering information only and may not be reproduced or used to manufacture anything shown hereon without permission from THE TECHNICAL MATERIEL CORPORATION to the user. This drawing is loaned for mutual assistance and is subject to recall at any time.	SIZE A	CODE IDENT. NO. 82679	DWG NO. PX-1297	ISSUE X
	SCALE		SHEET OF	