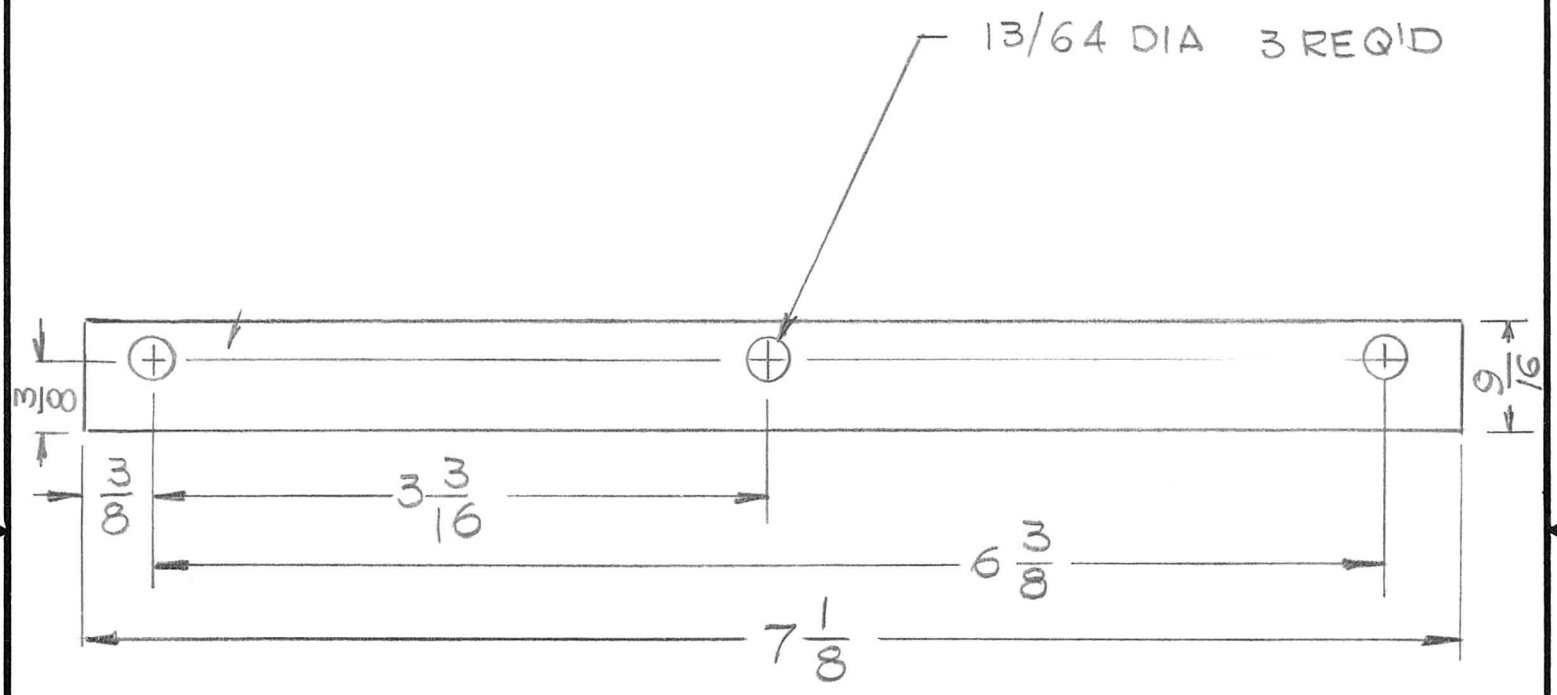


APPLICATION			REVISIONS						
QTY	MODEL USED ON	ASS'Y NO.	LTR	DESCRIPTION	DATE	E.M.N.NO	DRAFT	CHKD	APPD
6	ATS-2/2A, TU2A	AC106	Ø	ORIGINAL RELEASE	5-5-80		dw		
			A	CALL OUT MARKING TMC. No. DEL.	7-7-80	21821	GDL		Ⓞ



UNLESS OTHERWISE SPECIFIED DIMENSIONS ARE IN INCHES AND INCLUDE CHEMICALLY APPLIED OR PLATED FINISHES		REQ'D	ITEM	PART NUMBER	DESCRIPTION	SYM.
LIST OF MATERIAL						
DECIMALS .X ± .05 .XX ± .01 .XXX ± .005 FRACTIONS 1/64 ANGLES 0° - 30°		FINAL APPROVAL <i>Ⓞ B</i>		DATE 4/30/80	<b>THE TECHNICAL MATERIEL CORP.</b> MAMARONECK, NEW YORK  SUPPORT, COIL MTG	
MATERIAL 1/8THK GIO EPOXY		MECH. DES.		DATE		
FINISH NATURAL		ELECT. DES.		DATE		
S113 FUNGUS PROOF		CHECKED		DATE		
		DRAWN G.D.L		DATE 3-4-80		

NOTICE TO PERSONS RECEIVING THIS DRAWING THE TECHNICAL MATERIEL CORPORATION claims proprietary right in the material disclosed hereon. This drawing is issued in confidence for engineering information only and may not be reproduced or used to manufacture anything shown hereon without permission from THE TECHNICAL MATERIEL CORPORATION to the user. This drawing is loaned for mutual assistance and is subject to recall at any time.				SIZE A	CODE IDENT. NO. 82679	DWG NO. PX. 1269	ISSUE A
SCALE 1:1			SHEET		OF		