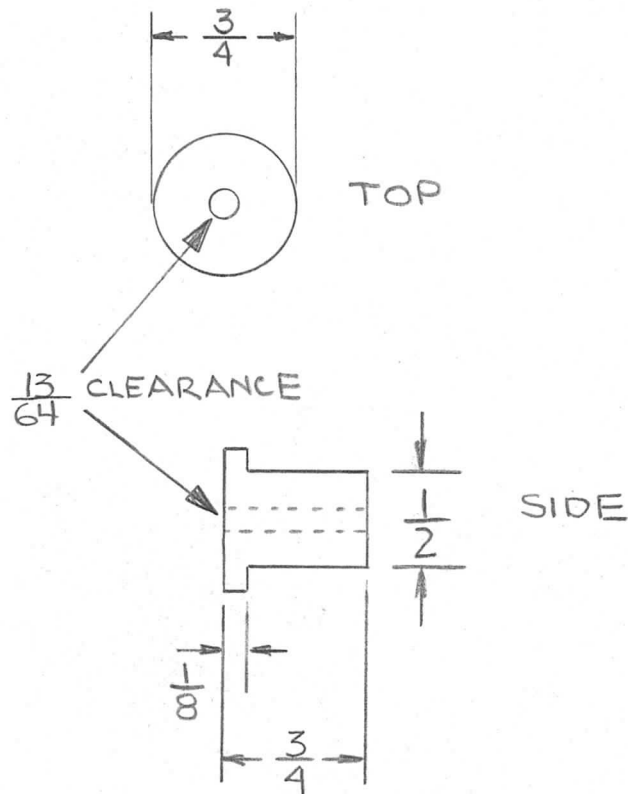


APPLICATION			REVISIONS						
QTY	MODEL USED ON	ASS'Y NO.	LTR	DESCRIPTION	DATE	E.M.N.NO	DRAFT	CHKD	APPD
2	A5611		X	EXP. RELEASE	10-2-74				
			Ø	ORIG. RELEASE FOR PROD	3/3/75		a		



UNLESS OTHERWISE SPECIFIED DIMENSIONS ARE IN INCHES AND INCLUDE CHEMICALLY APPLIED OR PLATED FINISHES		REQ'D	ITEM	PART NUMBER	DESCRIPTION	SYM.	
DECIMALS: .X ± .05, .XX ± .01, .XXX ± .005 FRACTIONS: 1/64, ANGLES: 0° - 30'		LIST OF MATERIAL					
MATERIAL ROUND 3/4 TEFLON		FINAL APPROVAL	DATE	THE TECHNICAL MATERIEL CORP. MAMARONECK, NEW YORK			
FINISH		MECH. DES.	DATE	OUTPUT COUPLER LINE INSULATORS			
		ELECT. DES.	DATE				
		CHECKED	DATE				
		DRAWN	DATE				
NOTICE TO PERSONS RECEIVING THIS DRAWING THE TECHNICAL MATERIEL CORPORATION claims proprietary right in the material disclosed hereon. This drawing is issued in confidence for engineering information only and may not be reproduced or used to manufacture anything shown hereon without permission from THE TECHNICAL MATERIEL CORPORATION to the user. This drawing is loaned for mutual assistance and is subject to recall at any time.				SIZE	CODE IDENT. NO.	DWG NO.	ISSUE
				A	82679	PX 1249	Ø
				SCALE	1:1	SHEET	OF