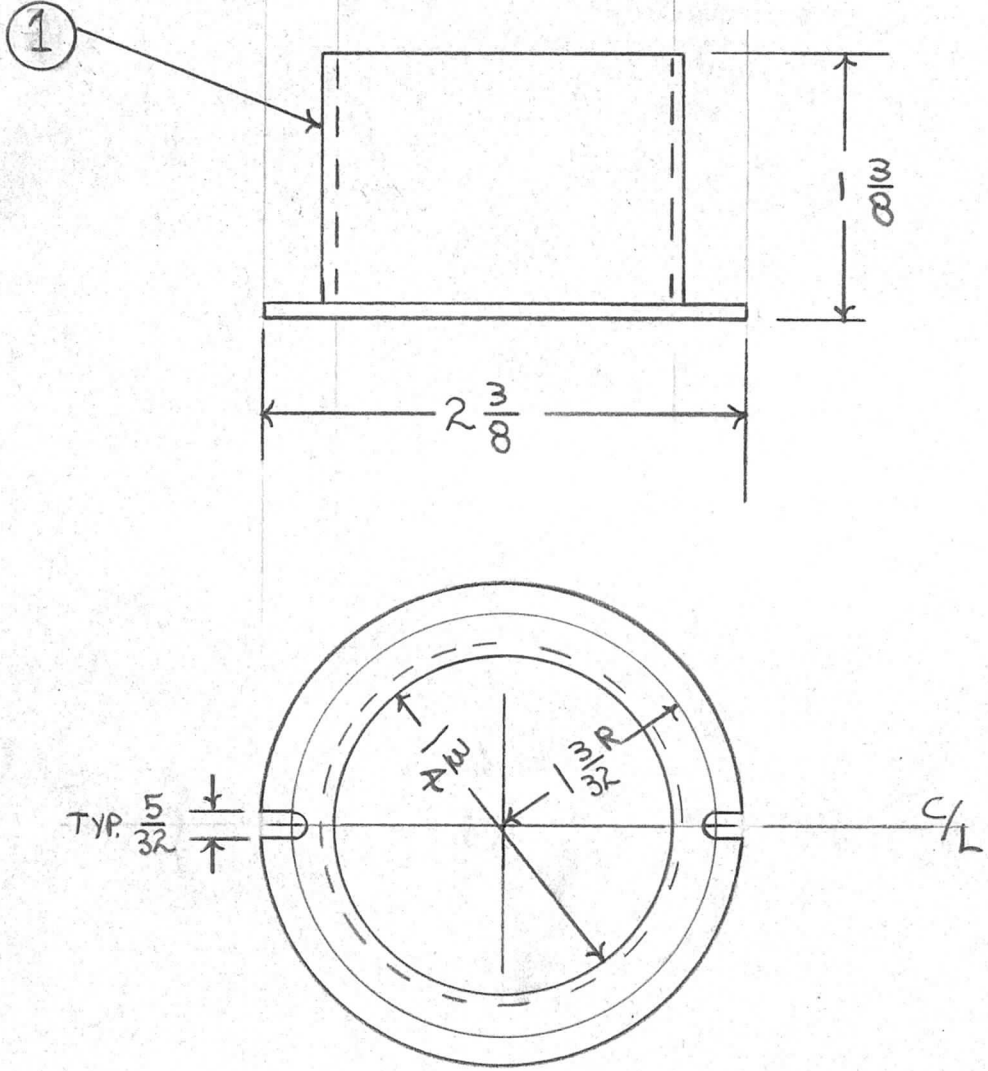


| QTY | MODEL USED ON | ASS'Y NO. | LTR | DESCRIPTION | DATE | E.M.N.NO | DRAFT | CHKD | APPD |
|-----|---------------|-----------|-----|-----------------------|--------|----------|-------|------|------|
| 1 | TLAA IK | BMA460 | Ø | ORIG RELEASE FOR PROD | 1/9/72 | | CV | | |



| 1 | 1 | FP206-3 | FLUE, OUTSIDE FLANGE | |
|-------|------|-------------|----------------------|------|
| REQ'D | ITEM | PART NUMBER | DESCRIPTION | SYM. |

LIST OF MATERIAL

UNLESS OTHERWISE SPECIFIED DIMENSIONS ARE IN INCHES AND INCLUDE CHEMICALLY APPLIED OR PLATED FINISHES

| | |
|-------------|--------------|
| DECIMALS | FRACTIONS |
| .X ± .05 | 1/64 |
| .XX ± .01 | TOLS. ANGLES |
| .XXX ± .005 | 0° .30' |

MATERIAL 3 PLY FIBER GLASS

FINISH TMC GREY

| | |
|-------------------------------------|-----------------|
| FINAL APPROVAL <i>R. Trotter</i> | DATE 12/2/71 |
| MECH. DES. <i>R. Trotter</i> | DATE 12/2/71 |
| ELECT. DES. | DATE |
| CHECKED | DATE |
| DRAWN <i>R. Trotter</i> | DATE 12/2/71 |

| | |
|---|--|
| THE TECHNICAL MATERIEL CORP. MAMARONECK, NEW YORK | |
| FLUE, AIR | |

NOTICE TO PERSONS RECEIVING THIS DRAWING
 THE TECHNICAL MATERIEL CORPORATION claims proprietary right in the material disclosed herein. This drawing is issued in confidence for engineering information only and may not be reproduced or used to manufacture anything shown hereon without permission from THE TECHNICAL MATERIEL CORPORATION to the user. This drawing is loaned for mutual assistance and is subject to recall at any time.

| | | | |
|------------------|---------------------------------|---------------------------|-------------------|
| SIZE A | CODE IDENT. NO. 82679 | DWG NO. PX-1174 | ISSUE <i>Ø</i> |
| SCALE | SHEET | | OF |