

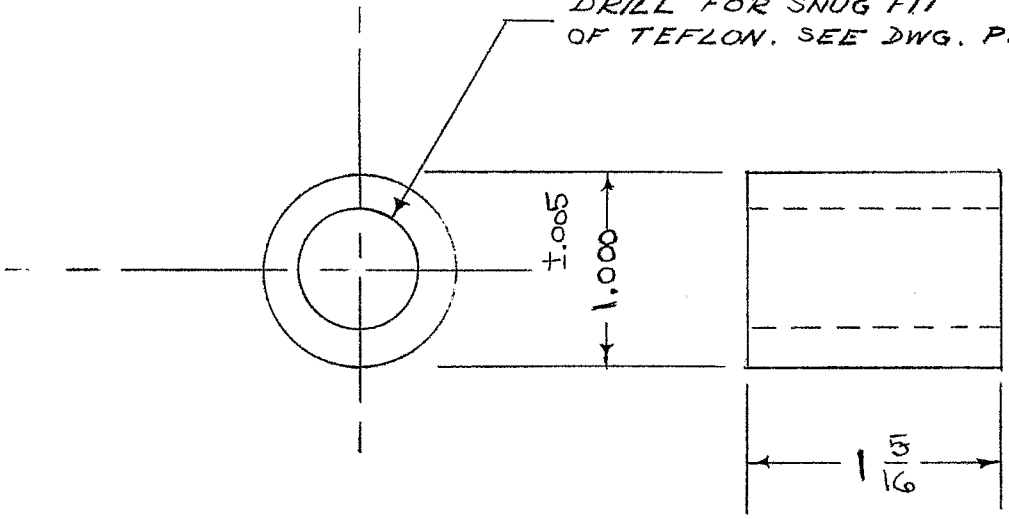
IF IT IS FOUND DESIRABLE TO CHANGE ANY TOLERANCE OR OTHER DETAIL SPECIFIED ON THIS DRAWING NOTIFY THE PURCHASER PROMPTLY.

PX-196 D

MAXIMUM ALLOWABLE TOLERANCES HAVE BEEN DETERMINED AND DEVIATIONS WILL BE CAUSE FOR REJECTION. REMOVE ALL BURRS AND SHARP EDGES

REQ. PER UNIT	USED ON			
	MODEL	PROJECT NO.	ASS'Y. NO.	DATE
1	TAC-1	132	A-716	1-4-54

NOTE:
DRILL FOR SNUG FIT
OF TEFLON. SEE DWG. PX-230



* FUNGUS PROOFING PER
TMC SPECIFICATION S-113

REF: PX-230 INSULATOR CON. BUSHING

REQ.	ITEM	PART NO.	DESCRIPTION	SYMBOL
	1.000	ROD	THE TECHNICAL MATERIEL CORP. MAMARONECK, NEW YORK	
		STOCK SIZE		
	PHENOLIC	— 4 —	CONNECTING BUSHING	
		MATERIAL	WEIGHT PER PC.	
	LINEN BASE		TAC-1	
		TYPE & TEMPER	C.D.D.	
			ORP	WDC
			DRAWN	ELEC. DES. APP. MECH. DES. APP.
			HEAT TREAT. SPEC.	
		NATURAL *	CHECKED	FINAL APPROVAL
		FINISH & SPEC. NO.		

ISSUE	ITEM	CHANGED FROM	DATE	CN. NO.	DRAFTS	CHECKER	ENG. APP.
D		S113 ADDED	4/13/64	11186	A.M.	WDC	ORP
C	1	NOTE ADDED	11-13-54	3	R.R.	WDC	ORP
B	1	REDRAWN - HOLES REMOVED	4/11/54	2	C.D.D.	WDC	ORP

TOLERANCES		SCALE
ALL OTHERS	DEC. DIM. ± .005 FRAC. DIM. ± 1/64 ANGULAR DIM. ±	DRILL, PUNCH, COMMERCIAL STOCK SIZES AND MANUFACTURERS TOLERANCES ARE NOT INCLUDED.

PX-196 D