

THE CONTENTS OF THIS DRAWING ARE THE EXCLUSIVE PROPERTY OF THE TECHNICAL MATERIEL CORP. ITS UNAUTHORIZED USE FOR REPRODUCTION IN WHOLE OR IN PART IS STRICTLY FORBIDDEN.

REQ. PER UNIT

USED ON

MODEL

ASS'Y. NO.

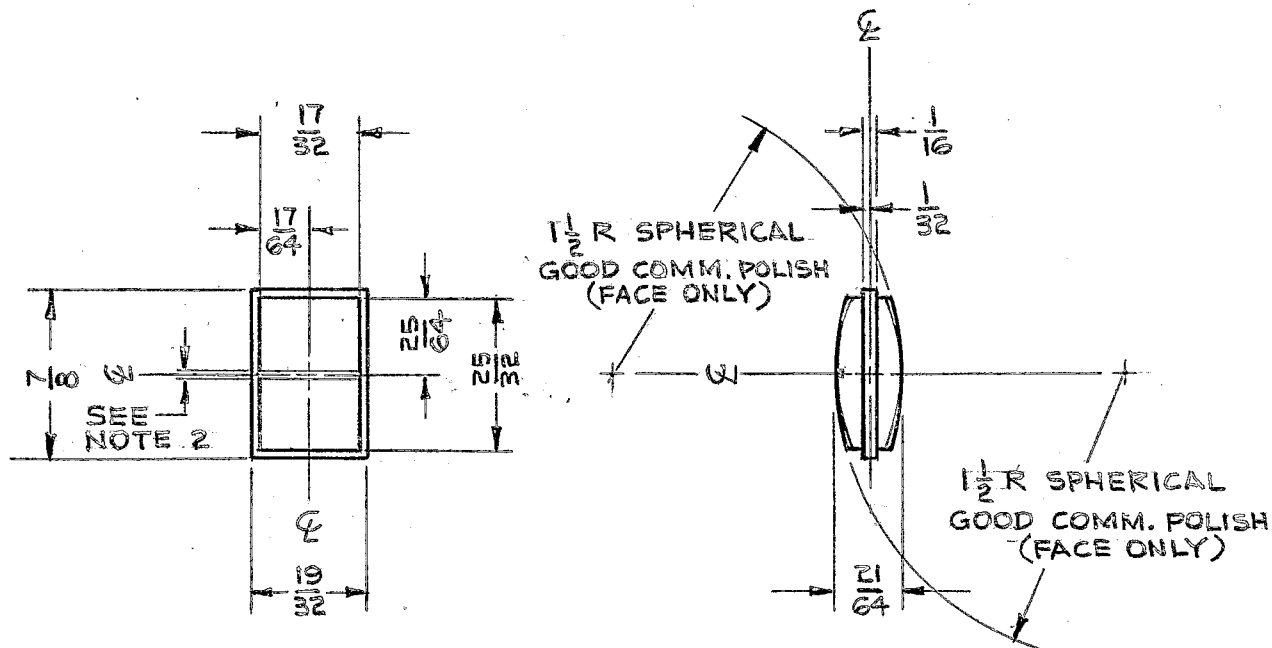
DATE

FFRD

6-21-63

PX-113

A



NOTES:

- BREAK SHARP EDGES.
- CUT .015 WIDE X .010 DEEP GROOVE ALONG ONE SIDE ONLY AS SHOWN, GROOVE TO BE RED FILLED.

							REQ.	ITEM	PART NO.	DESCRIPTION			SYMBOL	
										THE TECHNICAL MATERIEL CORP. MAMARONECK, NEW YORK				
							STOCK SIZE							
							CROWN GLASS 1.523 INDEX			FIDUCIARY				
							MATERIAL							
UNLESS OTHERWISE SPECIFIED DIMENSIONS ARE IN INCHES AND INCLUDE CHEMICALLY APPLIED OR PLATED FINISHES							SCALE			DRAWN			CHECKED	FINAL APPROVAL
							1/1							
DECIMALS .X ± .05 .XX ± .01 .XXX ± .005							TOLERANCES							
FRACTIONS ± 1/64 ANGLES ± 0° 30'							CODE			FINISH & SPEC. NO.			ELEC. DES. APP.	MECH. DES. APP.
										PX-113			A	