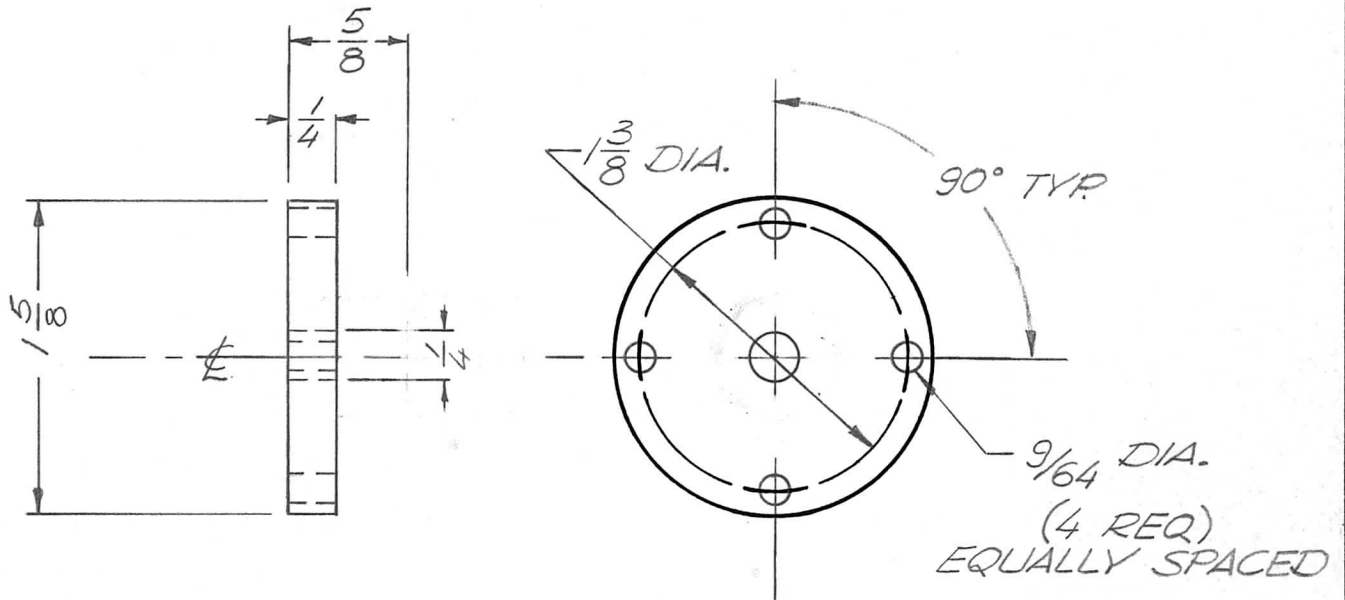


APPLICATION			REVISIONS						
QTY	MODEL USED ON	ASS'Y NO.	LTR	DESCRIPTION	DATE	E.M.N.NO	DRAFT	CHKD	APPD
1	PALA 10 K	API484		EXP RELEASE	12/5/69		GE		
			Ø	ORIGINAL RELEASE	1/20/70		W		



UNLESS OTHERWISE SPECIFIED DIMENSIONS ARE IN INCHES AND INCLUDE CHEMICALLY APPLIED OR PLATED FINISHES		REQ'D	ITEM	PART NUMBER	DESCRIPTION	SYM.
DECIMALS: .X ± .05, .XX ± .01, .XXX ± .005 FRACTIONS: 1/64, ANGLES: 0°-30° TOLS.		LIST OF MATERIAL				
MATERIAL <i>TEFLON</i>		FINAL APPROVAL	<i>DOB</i>	DATE	THE TECHNICAL MATERIEL CORP. MAMARONECK, NEW YORK <i>INSULATOR MTG. BUTTON</i>	
FINISH		MECH. DES.	<i>[Signature]</i>	DATE		
		ELECT. DES.		DATE		
		CHECKED		DATE		
		DRAWN	<i>EVANGELIST</i>	DATE		
NOTICE TO PERSONS RECEIVING THIS DRAWING THE TECHNICAL MATERIEL CORPORATION claims proprietary right in the material disclosed hereon. This drawing is issued in confidence for engineering information only and may not be reproduced or used to manufacture anything shown hereon without permission from THE TECHNICAL MATERIEL CORPORATION to the user. This drawing is loaned for mutual assistance and is subject to recall at any time.		SIZE	CODE IDENT. NO.	DWG NO.	ISSUE	
		A	82679	PX 1077	Ø	
		SCALE	SHEET		OF	