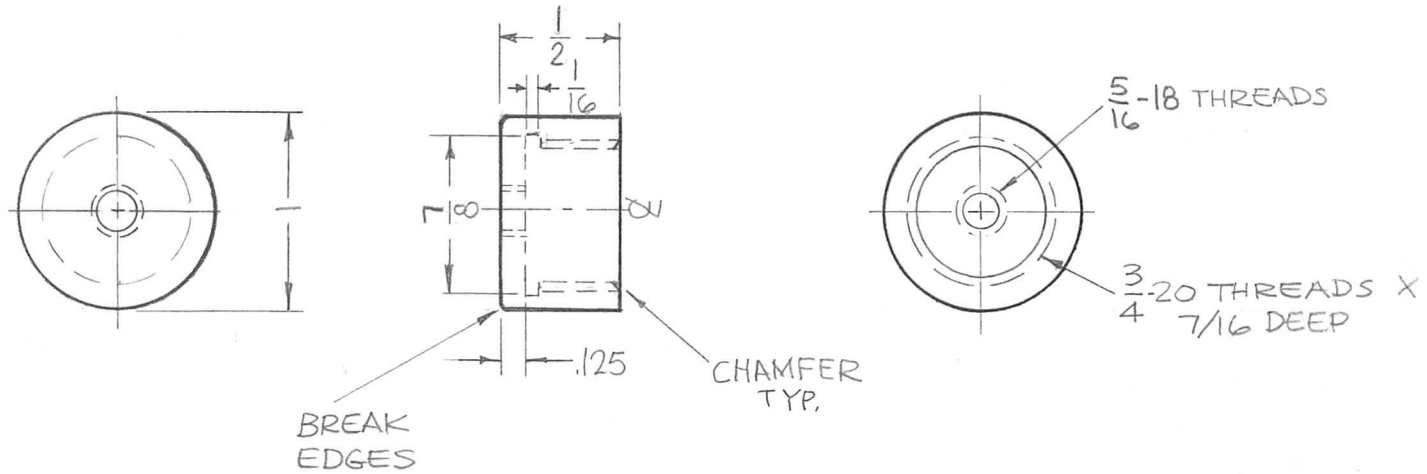


REQ. PER UNIT	USED ON			PX1007 Ø
	MODEL	ASS'Y. NO.	DATE	
1	TLAA-2.5K		11-30-66	
1	RAK-110-2		1-19-67	



MATES WITH PM1332

REQ.	ITEM	PART NO.	F. BUDETTI	DESCRIPTION	SYMBOL
Ø		AS SHOWN		THE TECHNICAL MATERIEL CORP. MAMARONECK, NEW YORK	
X <sub>1</sub>		STOCK SIZE			
X		TEFLON		CAP, CONTACT HOLDER	
SYM		MATERIAL			
UNLESS OTHERWISE SPECIFIED DIMENSIONS ARE IN INCHES AND INCLUDE CHEMICALLY APPLIED OR PLATED FINISHES		SCALE	1:1		
DECIMALS .X ± .05 .XX ± .01 .XXX ± .005	TOLERANCES	FRACTIONS ± 1/64 ANGLES ± 0° 30'	CODE A		
		TYPE & TEMPER	HEAT TREAT. SPEC.	DRAWN	CHECKED
		NATURAL			
		FINISH & SPEC. NO.	ELEC. DES. APP.	MECH. DES. APP.	PX1007 Ø

M/1 20/67

APPROVED NO. 1000