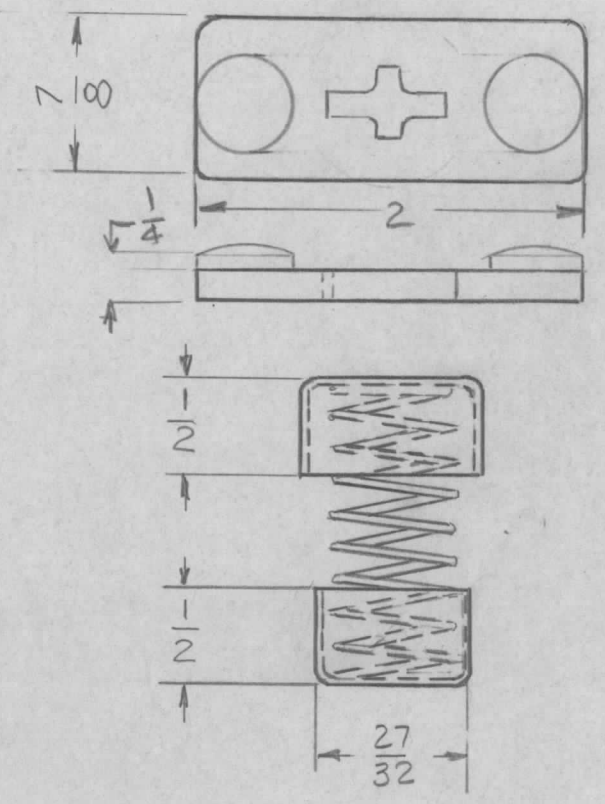
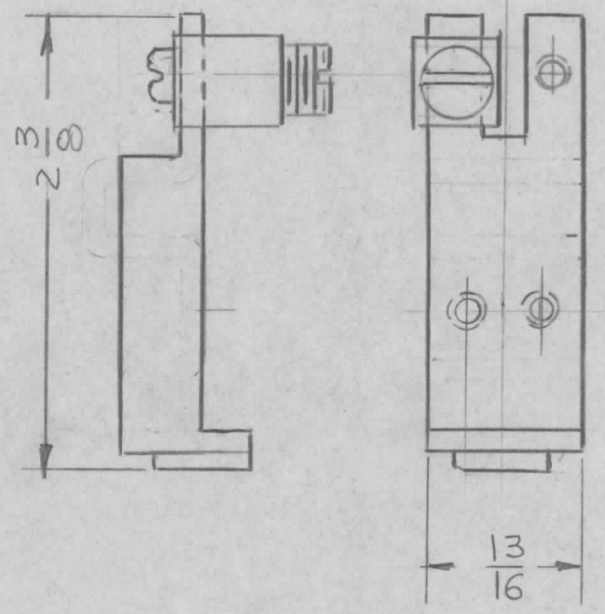


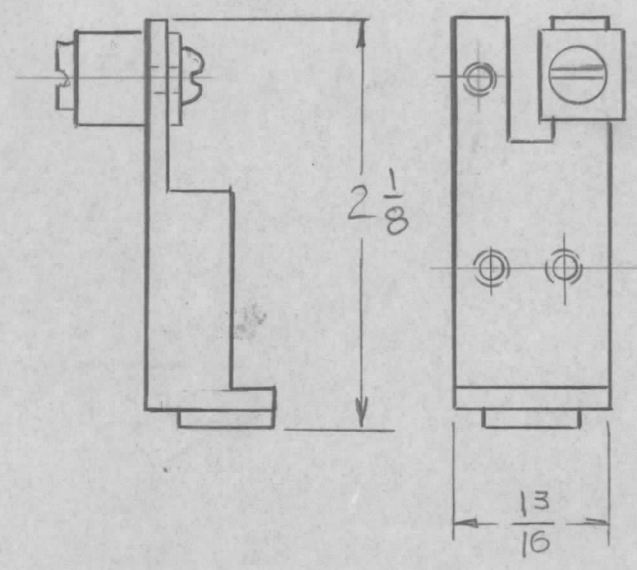
REVISIONS							
E.M.N. NO.	DRAFT	CHKD	ZONE	LTR	DESCRIPTION	DATE	APPROVED
	G-DL			Ø	ORIG. RELEASE FOR PRODUCTION	8-15-91	



MOVABLE CONTACT ASSY
1 EACH



LINE CONTACT
1 EACH



LOAD CONTACT
1 EACH

ORIGINAL PARTS FOR PO 183
NOT AVAILABLE DIRECTLY
REPLACE BY THESE PARTS

REF: PM1620

QTY / UNIT	MODEL USED ON	ASS'Y NO.
APPLICATION		
CODE		

NOTICE TO PERSONS RECEIVING THIS DRAWING
THE TECHNICAL MATERIEL CORPORATION claims proprietary right in the material disclosed hereon. This drawing is issued in confidence for engineering information only and may not be reproduced or used to manufacture anything shown hereon without permission from THE TECHNICAL MATERIEL CORPORATION to the user. This drawing is loaned for mutual assistance and is subject to recall at any time.

UNLESS OTHERWISE SPECIFIED DIMENSIONS ARE IN INCHES AND INCLUDE CHEMICALLY APPLIED OR PLATED FINISHES	
DECIMALS .X ± .05 .XX ± .01 .XXX ± .005	FRACTIONS 1/64 ANGLES 0° -30'
MATERIAL	
FINISH	

REQ'D	ITEM	PART NUMBER	DESCRIPTION	SYM.
LIST OF MATERIAL				
FINAL APPROVAL <i>JB</i> DATE 8/15/91				
MECH. DES. DATE				
ELECT. DES. DATE				
CHECKED DATE				
DRAWN G.D.L. DATE 8-15-91				
SIZE	CODE IDENT. NO.	DWG NO.	ISSUE	
B	82679	PO-355	Ø	
SCALE	SHEET			OF

THE TECHNICAL MATERIEL CORP.
MAMARONECK, NEW YORK

RL-130 CONTACT
(SINGLE)