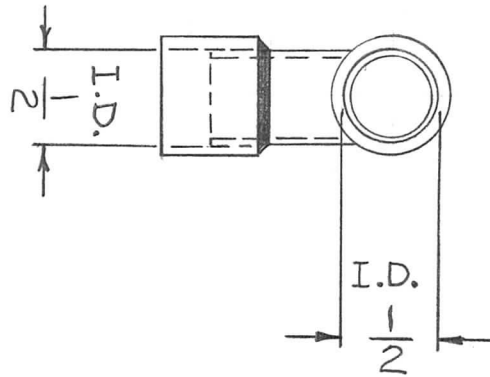
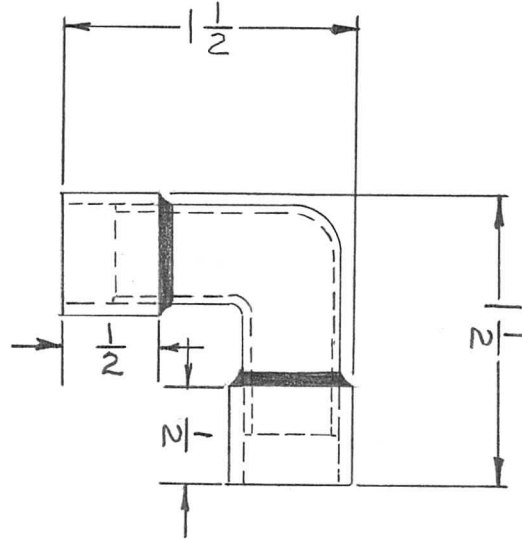


APPLICATION				REVISIONS						
QTY	MODEL USED ON	ASS'Y NO.	LTR	DESCRIPTION	DATE	E.M.N.NO	DRAFT	CHKD	APPD	
2	PALAIOK	AX5084	Ø	ORIGINAL RELEASE	1/26/70		Ø			

**NOTE # 1**

1/2" 90° COPPER ELBOW  
(COPPER PIPE)



UNLESS OTHERWISE SPECIFIED DIMENSIONS ARE IN INCHES AND INCLUDE CHEMICALLY APPLIED OR PLATED FINISHES		REQ'D	ITEM	PART NUMBER	DESCRIPTION	SYM.	
DECIMALS: .X ± .05, .XX ± .01, .XXX ± .005 FRACTIONS: 1/64, ANGLES: 0° - 30'		F. BUDETTI		LIST OF MATERIAL			
MATERIAL: SEE NOTE # 1		FINAL APPROVAL: <i>ØB</i>	DATE: 1-70	THE TECHNICAL MATERIEL CORP.			
FINISH: NATURAL		MECH. DES.: ALP. <i>ALP</i>	DATE: 1-70	MAMARONECK, NEW YORK			
		ELECT. DES.:	DATE:	ELBOW PIPE, 90°			
		CHECKED:	DATE:				
		DRAWN: ALP.	DATE: 1-70				
NOTICE TO PERSONS RECEIVING THIS DRAWING THE TECHNICAL MATERIEL CORPORATION claims proprietary right in the material disclosed hereon. This drawing is issued in confidence for engineering information only and may not be reproduced or used to manufacture anything shown hereon without permission from THE TECHNICAL MATERIEL CORPORATION to the user. This drawing is loaned for mutual assistance and is subject to recall at any time.				SIZE: A	CODE IDENT. NO.: 82679	DWG NO.: PO 324	ISSUE: Ø
SCALE:				SHEET		OF	