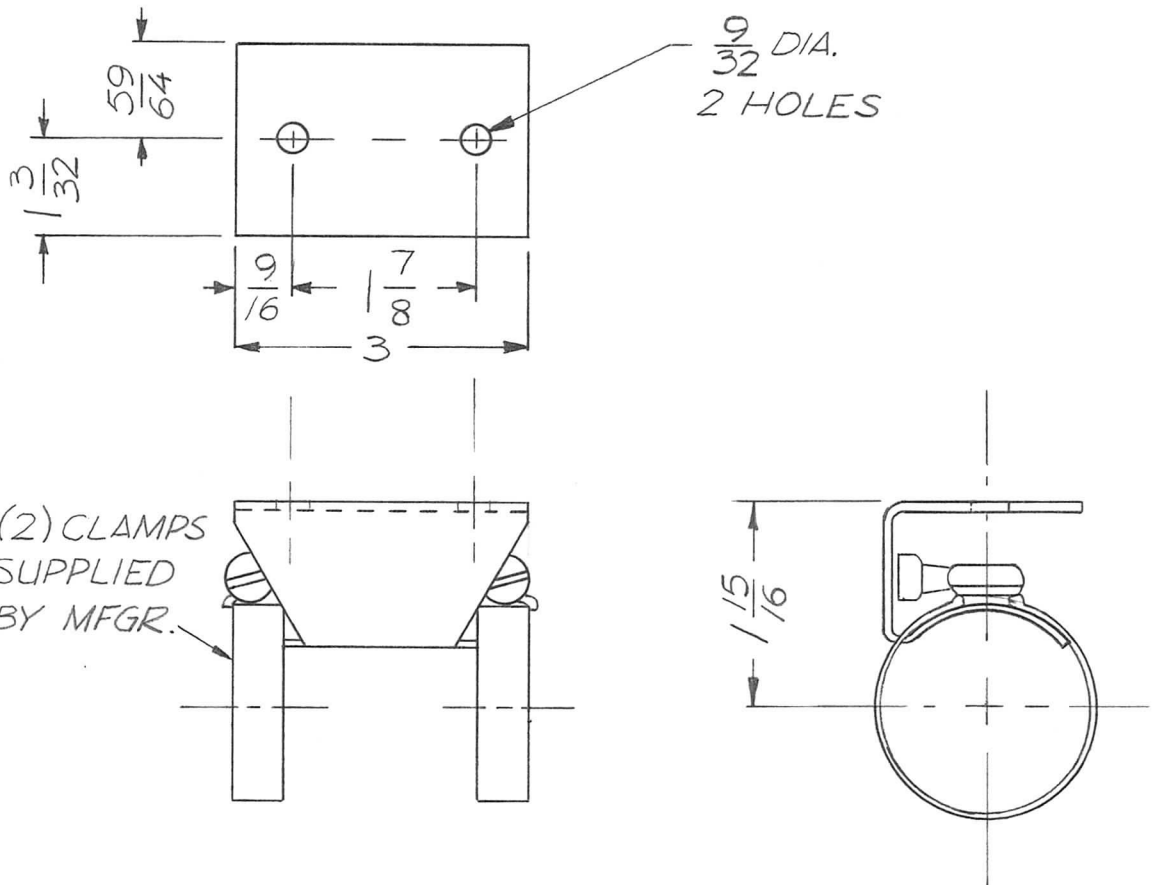


APPLICATION			REVISIONS						
QTY	MODEL USED ON	ASS'Y NO.	LTR	DESCRIPTION	DATE	E.M.N.NO	DRAFT	CHKD	APPD
2	GPT 40 KEL	AS 142	X	EXP RELEASE	7/10/69		GE		
			Ø	ORIG RELEASE FOR PROD	7/14/69		CV		



UNLESS OTHERWISE SPECIFIED DIMENSIONS ARE IN INCHES AND INCLUDE CHEMICALLY APPLIED OR PLATED FINISHES		REQ'D	ITEM	PART NUMBER	DESCRIPTION	SYM.
DECIMALS: .X ± .05, .XX ± .01, .XXX ± .005 FRACTIONS: 1/64, ANGLES: 0° - 30° TOLS.		<b>BUDETTI</b> <b>LIST OF MATERIAL</b>				
MATERIAL		FINAL APPROVAL		DATE	<b>THE TECHNICAL MATERIEL CORP.</b> <b>MAMARONECK, NEW YORK</b>	
FINISH		MECH. DES.		DATE	<b>BRACKET, HANGER</b> <b>(1 5/8 COAXIAL)</b>	
S401-48(1088)		ELECT. DES. <i>AVC</i>		DATE		
		CHECKED <i>JDe</i>		DATE		
		DRAWN <i>G EVANGELIST</i>		DATE		
<b>NOTICE TO PERSONS RECEIVING THIS DRAWING</b> <b>THE TECHNICAL MATERIEL CORPORATION</b> claims proprietary right in the material disclosed hereon. This drawing is issued in confidence for engineering information only and may not be reproduced or used to manufacture anything shown hereon without permission from <b>THE TECHNICAL MATERIEL CORPORATION</b> to the user. This drawing is loaned for mutual assistance and is subject to recall at any time.		SIZE	CODE IDENT. NO.	DWG NO.	ISSUE	
		A	82679	PO 316	Ø	
SCALE			SHEET			OF