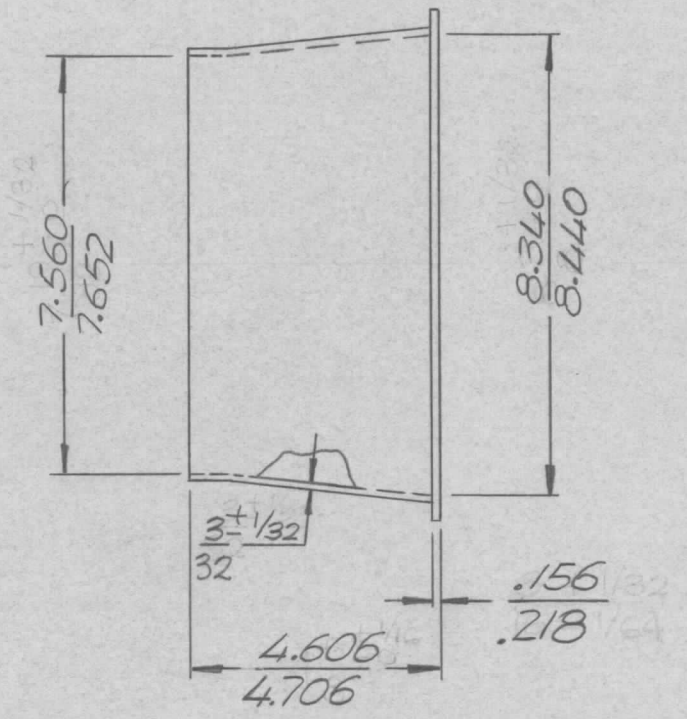
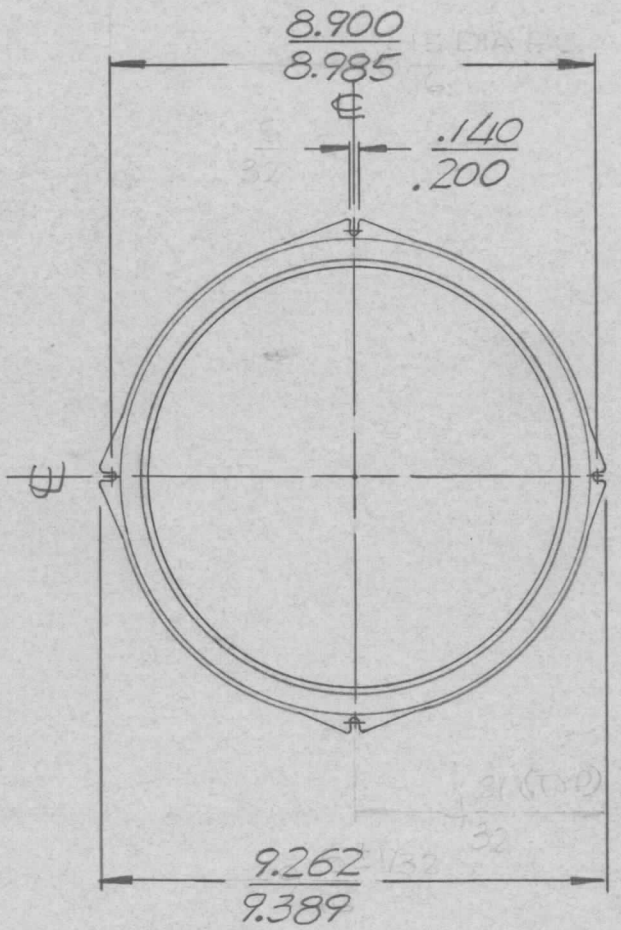


REVISIONS						
ZONE	LTR	DESCRIPTION	DATE	E.M.N.NO	DRAFT	CHKD APPD
	Ø	ORIGINAL RELEASE FOR PRODUCTION	1-30-67		L.P.K.	
	A	CHG. FRACT. DIM TO DEC.	12/7/70	20142	GE	(1) P.gh



MATERIAL:  
 POLYESTER PRE MIX COMP.  
 (GREY) FIBERGLASS PER MIL-Y-1140,  
 RESIN PER MIL-R-7675.

NOTE: MATERIAL  
 FIBERGLASS REINFORCED  
 EDG. DR. 20 IN.

GPT-10KLF		
QTY / UNIT	MODEL USED ON	ASS'Y NO.
APPLICATION		
CODE	S401-23 (SK316)	
NOTICE TO PERSONS RECEIVING THIS DRAWING THE TECHNICAL MATERIEL CORPORATION claims proprietary right in the material disclosed hereon. This drawing is issued in confidence for engineering information only and may not be reproduced or used to manufacture anything shown hereon without permission from THE TECHNICAL MATERIEL CORPORATION to the user. This drawing is loaned for mutual assistance and is subject to recall at any time.		

UNLESS OTHERWISE SPECIFIED DIMENSIONS ARE IN INCHES AND INCLUDE CHEMICALLY APPLIED OR PLATED FINISHES	
DECIMALS .X ± .05 .XX ± .01 .XXX ± .005	FRACTIONS TOLS. 1/64 ANGLES 0° .30'
MATERIAL	SEE NOTE
FINISH	NONE

REQ'D	ITEM	PART NUMBER	DESCRIPTION	SYM.
BUDETTI LIST OF MATERIAL				
THE TECHNICAL MATERIEL CORP. MAMARONECK, NEW YORK				
CHIMNEY, AIR				
SIZE	CODE IDENT. NO.	DWG NO.	ISSUE	
B	82679	P0309	A	
SCALE			SHEET	OF