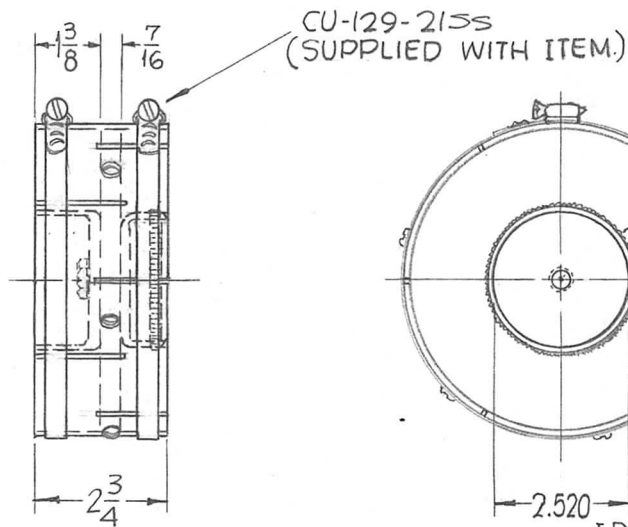
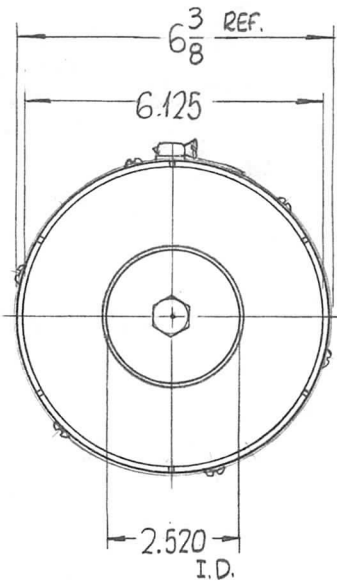
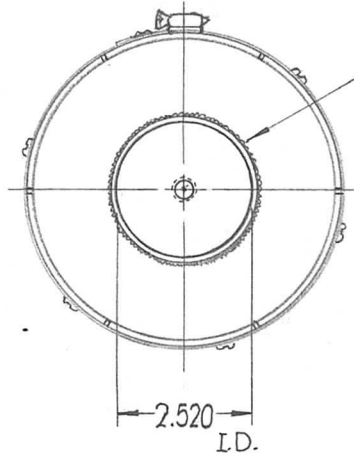


REQ. PER UNIT	USED ON		
	MODEL	ASS'Y. NO.	DATE
2	GPT-200K	AX-397	1-15-64

PO-298
O


CU-129-2155
(SUPPLIED WITH ITEM.)

(SPRING) FOR SPARE PARTS, PO-289-2



NOTE:

DIMENSIONS FOR REF. ONLY.

REF. ID-292

							REQ. ITEM	PART NO.	F. BUDETTI	DESCRIPTION	SYMBOL		
									THE TECHNICAL MATERIEL CORP. MAMARONECK, NEW YORK COUPLING LINE, RF. TRANSMISSION 6 1/8				
0	ORIGINAL RELEASE FOR PRODUCTION	5-27-64	0	A.M.									
SYM	DESCRIPTION	DATE	CH. NO.	DRAFTS	CHECKER	ENG. APP.	MATERIAL						
UNLESS OTHERWISE SPECIFIED DIMENSIONS ARE IN INCHES AND INCLUDE CHEMICALLY APPLIED OR PLATED FINISHES						SCALE 1/4" = 1"			SRG	aa	RC		
DECIMALS .X ± .05 .XX ± .01 .XXX ± .005						FRACTIONS ± 1/64 ANGLES ± 0° 30'		TYPE & TEMPER	HEAT TREAT. SPEC.	DRAWN	CHECKED	FINAL APPROVAL	
	TOLERANCES	CODE	S401-276 (P/O-601-083)									PO-298	O
						FINISH & SPEC. NO.		ELEC. DES. APP.	MECH. DES. APP.				