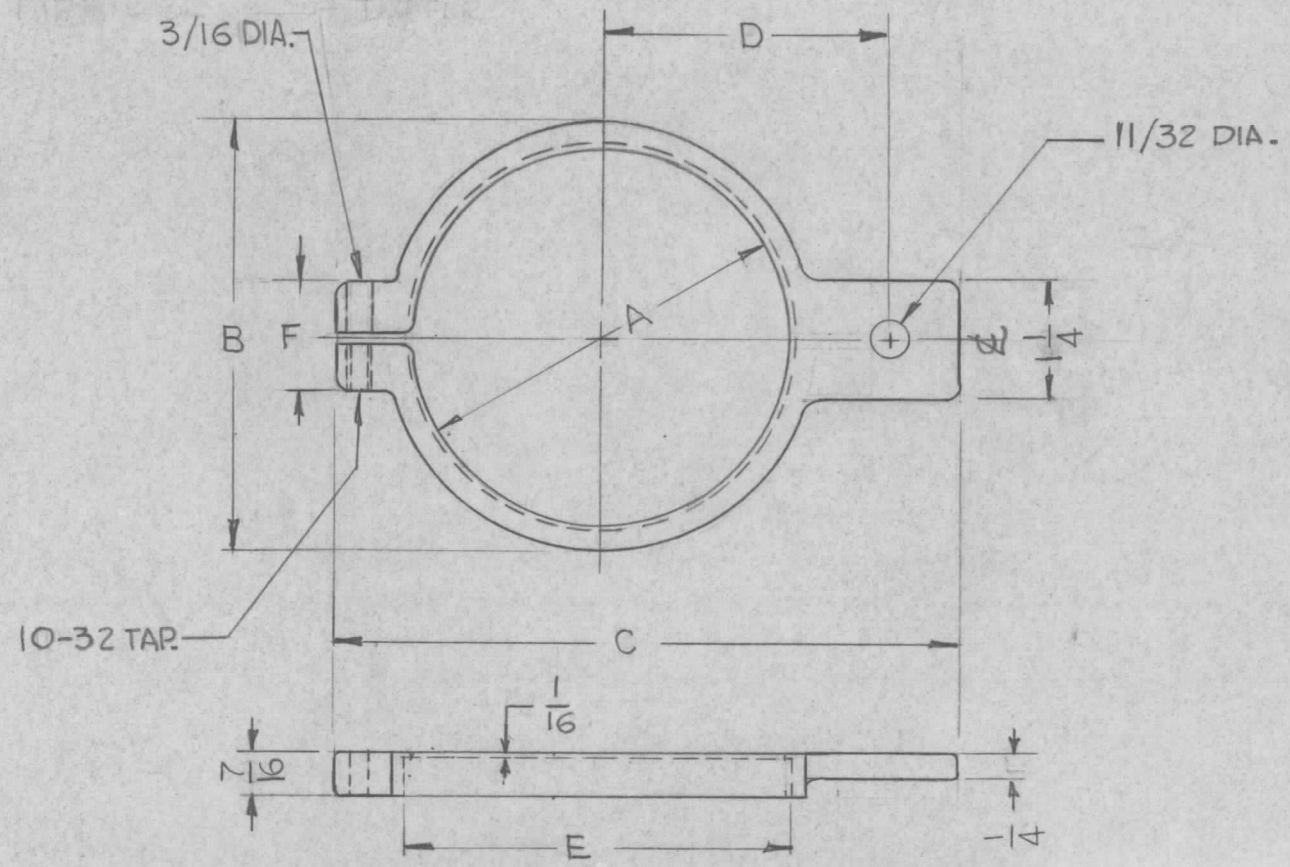


TMC PART No.	DIMENSIONS						REQD	SECTION
	A	B	C	D	E	F		
PO 267-1	3 5/32	3 11/16	5 3/4	2 5/8	3 1/4	1 1/8	1	AX-393
PO 267-2	3 15/16	4 1/2	6 1/2	3	4 1/16	1 3/16	2	AX-393

PO-267 0

REVISIONS					
SYM	DESCRIPTION	DATE	E.M.N. NO.	DRAFT	CHKD APPD
0	ORIGINAL RELEASE FOR PRODUCTION	5-13-64	0	A.M.	



REQ'D.	ITEM	PART NUMBER	DESCRIPTION	SYMBOL
<b>LIST OF MATERIAL</b>				
MATERIAL		<b>THE TECHNICAL MATERIEL CORP. MAMARONECK, NEW YORK</b>		
FINISH		TITLE <b>CONNECTOR, FILAMENT RING</b>		
UNLESS OTHERWISE SPECIFIED DIMENSIONS ARE IN INCHES AND INCLUDE CHEMICALLY APPLIED OR PLATED FINISHES		DRAWN G.D.L.	DATE 4-10-63	FINAL APPROVAL RAC
DECIMALS .X ± .05 .XX ± .01 .XXX ± .005		CHECKED aa	DATE	
FRACTIONS ± 1/64 ANGLES ± 0° 30'		ELECT. DES. DB	DATE 4/16/64	
TOLERANCES		MECH. DES. MC	DATE 4/14/64	
				PO-267 0
				SHEET
				REV. LTR.

GPT-200K		
Q'TY./UNIT	MODEL USED ON	ASS'Y. NO.
SCALE DO NOT SCALE	CODE C	S401-84

NOTES

THE CONTENTS OF THIS DRAWING ARE THE EXCLUSIVE PROPERTY OF THE TECHNICAL MATERIEL CORP. ITS UNAUTHORIZED USE OR REPRODUCTION IN WHOLE OR IN PART IS STRICTLY FORBIDDEN.