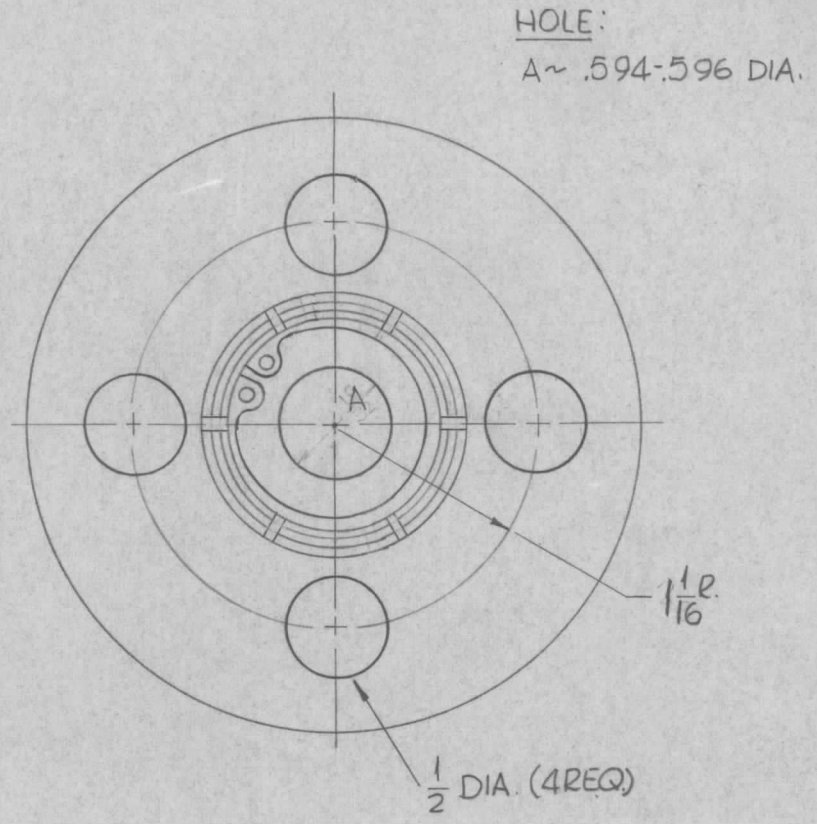


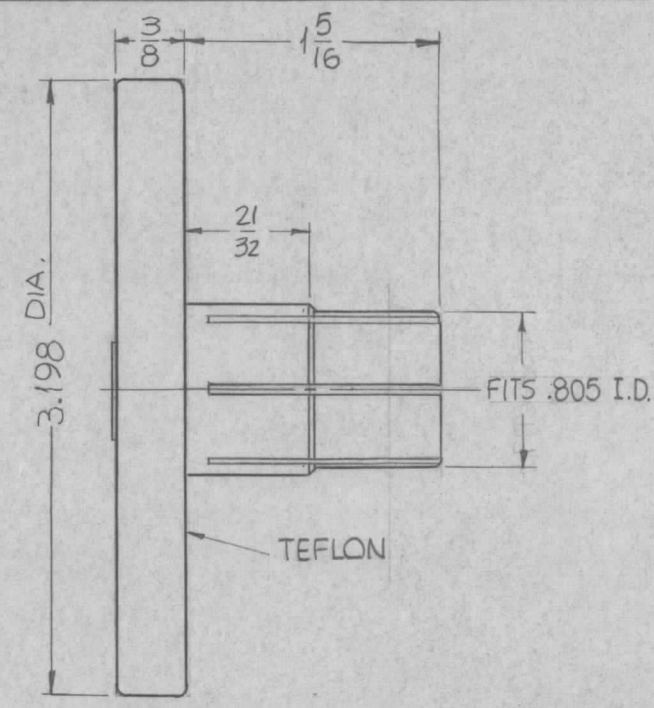
PO-258-50



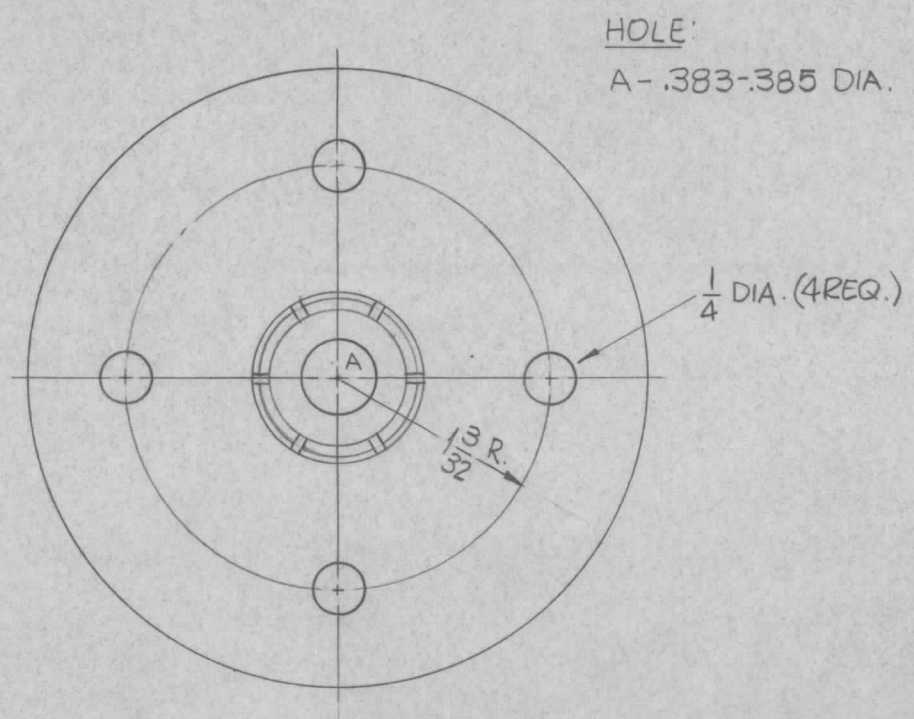
HOLE:
A ~ .594-.596 DIA.

PO-258

REVISIONS						
SYM	DESCRIPTION	DATE	E.M.N. NO.	DRAFT	CHKD	APPD
0	ORIGINAL RELEASE FOR PRODUCTION	5/21/64	0	A.M.		



PO-258-70



HOLE:
A - .383-.385 DIA.

REQ'D.	ITEM	PART NUMBER	DESCRIPTION	SYMBOL
F. BUDETTI				
LIST OF MATERIAL				
MATERIAL			THE TECHNICAL MATERIEL CORP. MAMARONECK, NEW YORK	
FINISH			TITLE ADAPTOR, INNER CONNECTOR 1-5/8 TO 3-1/8	
UNLESS OTHERWISE SPECIFIED DIMENSIONS ARE IN INCHES AND INCLUDE CHEMICALLY APPLIED OR PLATED FINISHES		DRAWN <i>SRG</i>	DATE 5/24/63	FINAL APPROVAL <i>RAC</i>
		CHECKED <i>MC</i>	DATE	
		ELECT. DES. <i>JB</i>	DATE 5/19/64	PO-258
		MECH. DES. <i>aa</i>	DATE	0
				REV. LTR.

	GPT-200K	AX-392
Q'TY./UNIT	MODEL USED ON	ASS'Y. NO.
SCALE <i>#</i>	CODE <i>C</i>	S401-31

NOTES

THE CONTENTS OF THIS DRAWING ARE THE EXCLUSIVE PROPERTY OF THE TECHNICAL MATERIEL CORP. ITS UNAUTHORIZED USE OR REPRODUCTION IN WHOLE OR IN PART IS STRICTLY FORBIDDEN.