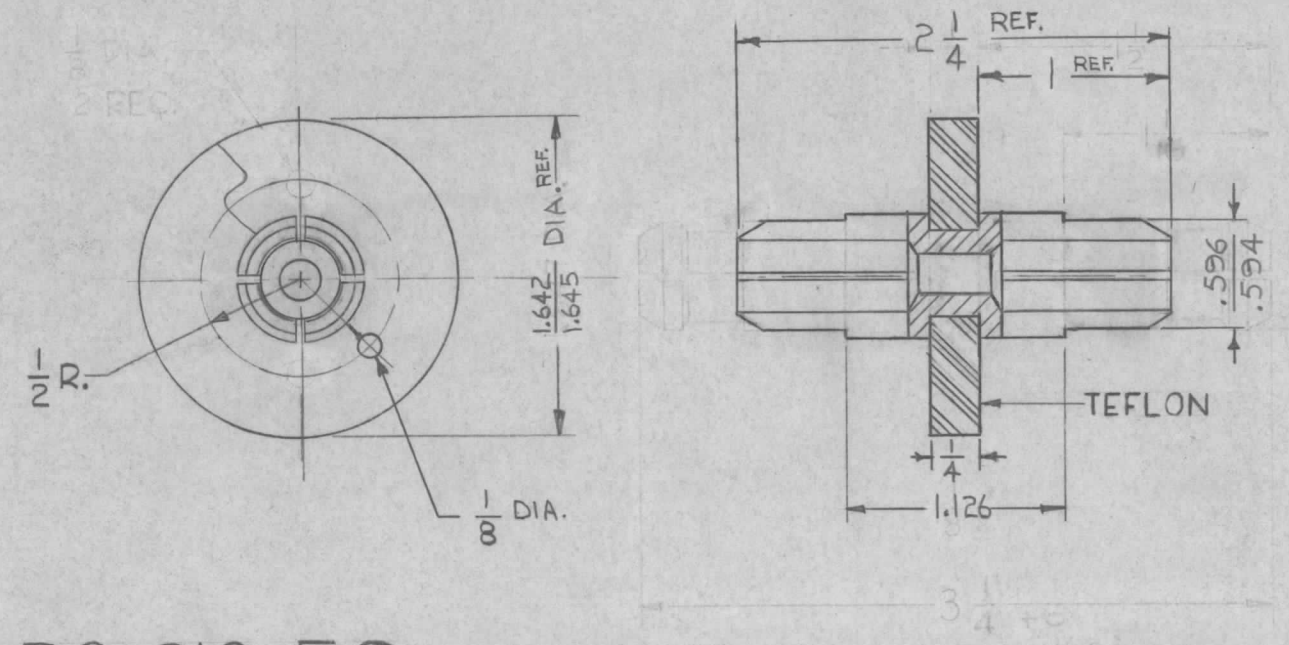


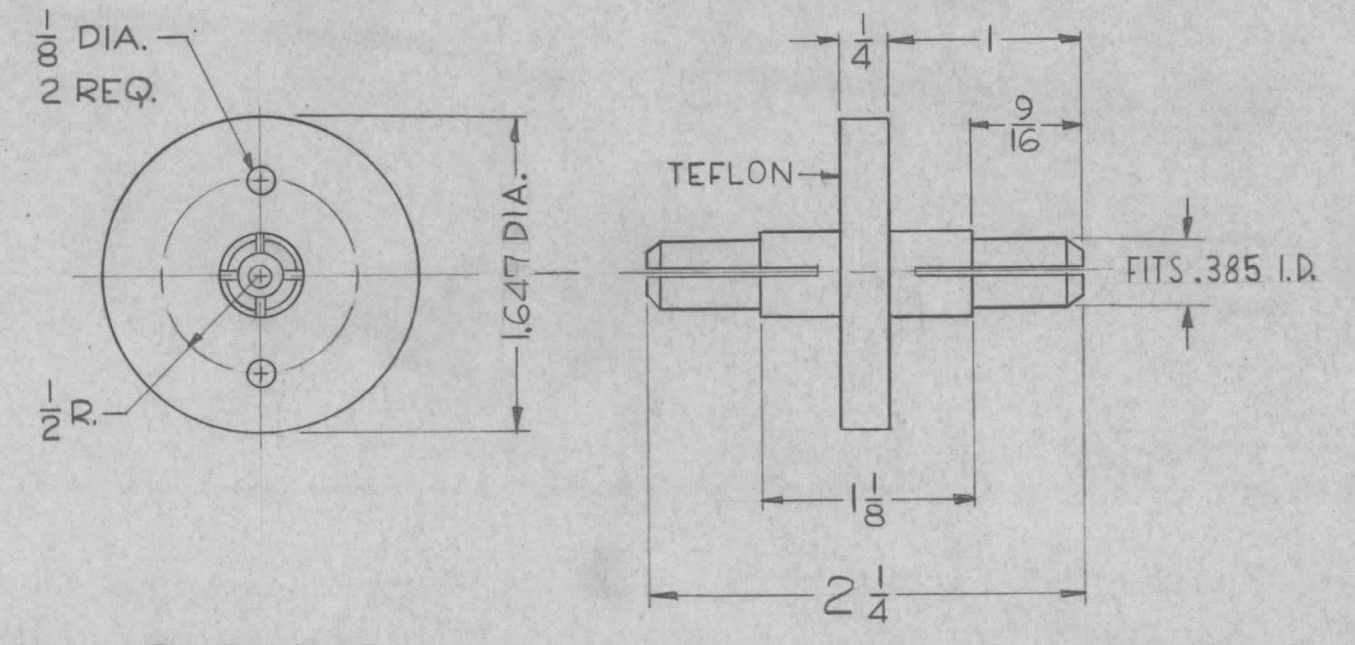
PO-218 C

THE CONTENTS OF THIS DRAWING ARE THE EXCLUSIVE PROPERTY OF THE TECHNICAL MATERIEL CORP. ITS UNAUTHORIZED USE OR REPRODUCTION IN WHOLE OR IN PART IS STRICTLY FORBIDDEN.

TMC PART NO.	IMPEDANCE	MATERIAL	FINISH	MFR. PART NO.
PO-218-50	50 OHMS	BRASS	NICKEL PLATE	34660
PO-218-70	75 OHMS	BRASS	NICKEL PLATE	24254



PO-218-50



PO-218-70

SYM	DESCRIPTION	DATE	CH. NO.	DRAFTS	CHECKER	ENG. APP.
C	REVISED PO-218-50, CHG'D. MFG. PART NO. FR. 45069 TO 34660	7-26-66	16634	RME	JCB	JC
B	75 OHM WAS 70 OHM (CHART), FINISH WAS NICKEL PLATE	7-13-62	6912	JCB	JCB	
A	MFR NO. 24254 WAS 24259, +0, -1/32 ADDED TO 3/4" IN -50	12-29-61	6101	L.H.	JCB	
	Redrawn & Revised 50 OHM Connector Added					

UNLESS OTHERWISE SPECIFIED:  
 DIMENSIONS ARE IN INCHES  
 TOLERANCES ON FRACTIONS ± 1/64 DECIMALS ± .005 ANGLES ± 1/2°  
 SCALE: S401-31  
 MAXIMUM ALLOWABLE TOLERANCES HAVE BEEN DETERMINED AND ANY DEVIATIONS WILL BE CAUSE FOR REJECTION.  
 REMOVE ALL BURRS AND SHARP EDGES

REQ. PER UNIT	MODEL	SECTION	ASS'Y. NO.	DATE
	TRC-5000			12-29-61

REQ. ITEM	PART NO.	DESCRIPTION	SYMBOL
		THE TECHNICAL MATERIEL CORP. MAMARONECK, NEW YORK	
		CONNECTOR, ELECTRICAL	
		1-5/8 INNER	
		L.H. JCB SAM	
		DRAWN CHECKED FINAL APPROVAL	
		JCB JCB SAM	
		ELEC. DES. APP. MECH. DES. APP.	
		PO-218	C