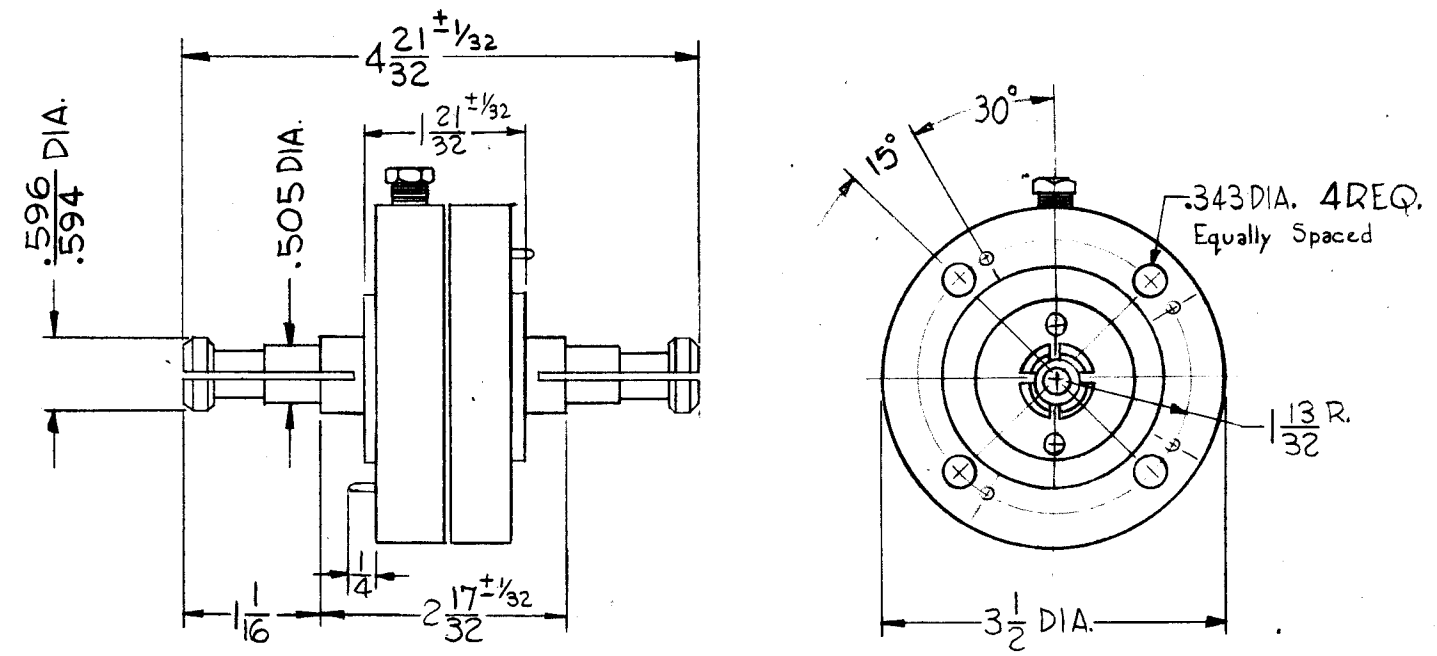


PO-208 C

THE CONTENTS OF THIS DRAWING ARE THE EXCLUSIVE PROPERTY OF THE TECHNICAL MATERIEL CORP. ITS UNAUTHORIZED USE OR REPRODUCTION IN WHOLE OR IN PART IS STRICTLY FORBIDDEN.

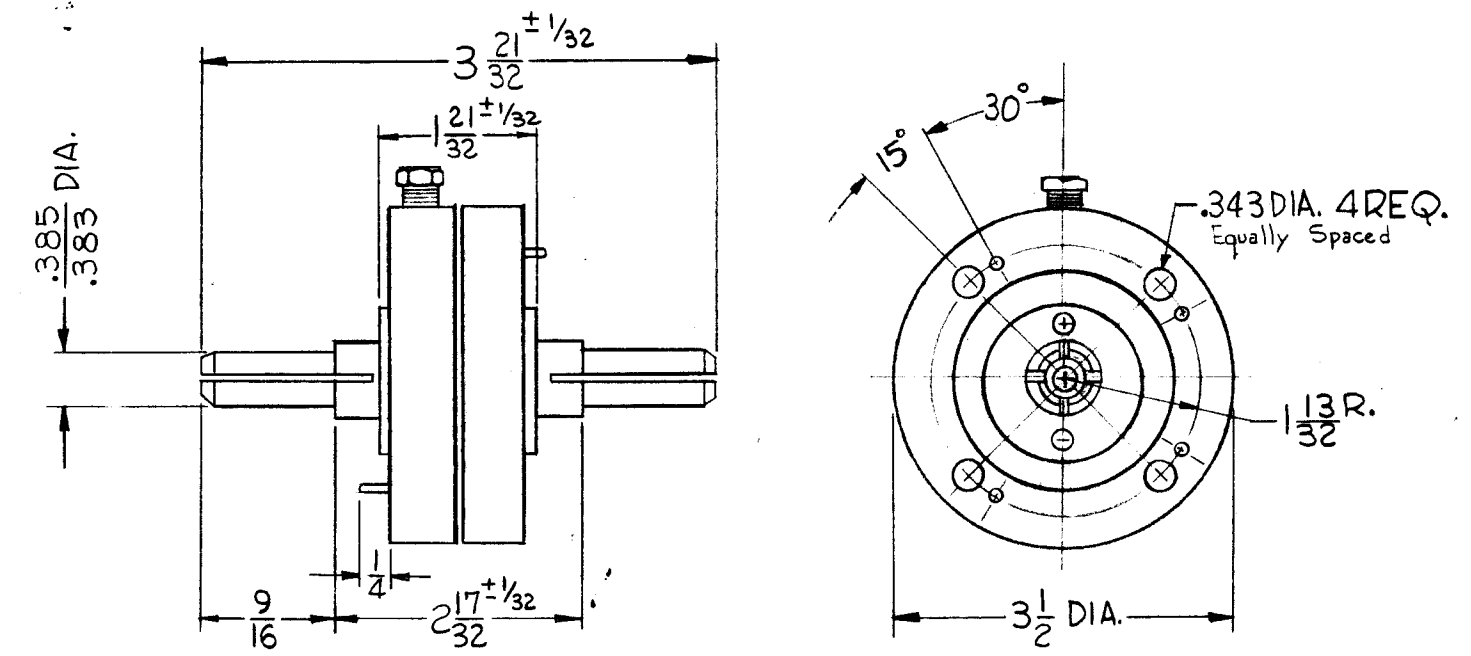
TMC PART NO.	IMPEDANCE	MFR. PART NO.
PO-208-50	50 OHMS	1261B
PO-208-70	75 OHMS	1271

SUPPLIED BY MFR.  
 O-RING - 1 REQ.  
 SCREW, MACHINE - SCHH3118NR40 - 4 REQ.  
 WASHER, LOCK, SPLIT - LWS31HRN - 4 REQ.  
 NUT, HEX - NTH3118NR16 - 4 REQ.



PO-208-50

SUPPLIED BY MFR.  
 O-RING - 1 REQ.  
 SCREW, MACHINE - SCHH3118NR40 - 4 REQ.  
 WASHER, LOCK, SPLIT - LWS31HRN - 4 REQ.  
 NUT, HEX - NTH3118NR16 - 4 REQ.



PO-208-70

C	75-2 WAS 70-2 (CHART)	7-13-62	6912			
B	DIMENSIONS REVISED ON -508-70	3-28-62	6527			
A	COMPLETELY REDRAWN & REVISED FROM I-SIZE	2-5-62	6101			
SYM	DESCRIPTION	DATE	CH. NO.	DRAFTS	CHECKER	ENG. APP.

UNLESS OTHERWISE SPECIFIED:  
 DIMENSIONS ARE IN INCHES  
 TOLERANCES ON FRACTIONS  $\pm 1/64$  DECIMALS  $\pm .005$  ANGLES  $\pm 1/2^\circ$

SCALE: S-401-31  
 MAXIMUM ALLOWABLE TOLERANCES HAVE BEEN DETERMINED AND ANY DEVIATIONS WILL BE CAUSE FOR REJECTION.  
 REMOVE ALL BURRS AND SHARP EDGES

REQ. PER UNIT	MODEL	SECTION	ASS'Y. NO.	DATE
	TRC-5000			2-5-62
USED ON				

REQ.	ITEM	PART NO.	DESCRIPTION	SYMBOL
			THE TECHNICAL MATERIEL CORP. MAMARONECK, NEW YORK	
STOCK SIZE				
BRASS			CONNECTOR, ELECTRICAL	
MATERIAL			GAS BARRIER 1-5/8 EIA	
		GG	JMS	EFM
TYPE & TEMPER	HEAT TREAT. SPEC.	DRAWN	CHECKED	FINAL APPROVAL
		OB	DM	PO-208
FINISH & SPEC. NO.		ELEC. DES. APP.	MECH. DES. APP.	C