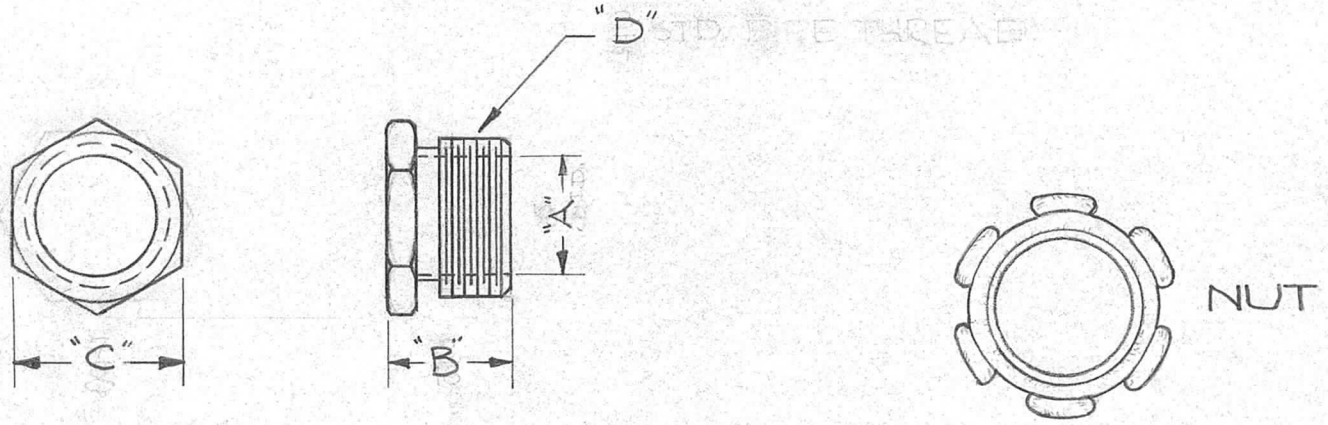


TMC PARTNUMBER	"A" Inside Dia.	"B" Overall Dim.	"C" Across flats	"D" Standard Pipe thread Size	REQ. PER. UNIT	USED ON			PO-187
						MODEL	ASS'Y. NO.	DATE	
PO-187-1	5/8	9/16	7/8	3/4				11-30-59	



MFR. TO SUPPLY NUT

								REQ.	ITEM	PART NO.	DESCRIPTION			SYMBOL				
											THE TECHNICAL MATERIEL CORP.							
											MAMARONECK, NEW YORK							
											NIPPLE							
											MALLEABLE IRON							
											MATERIAL							
ISSUE	ITEM	CHANGED FROM	DATE	CH. NO.	DRAFTS	CHECKER	ENG. APP.											
TOLERANCES			SCALE:															
DEC. DIM. ±			MAXIMUM ALLOWABLE TOLERANCES HAVE BEEN DETERMINED AND ANY DEVIATIONS WILL BE CAUSE FOR REJECTION. REMOVE ALL BURRS AND SHARP EDGES															
FRAC. DIM. ±																		
ANGULAR DIM. ±																		
								TYPE & TEMPER		HEAT TREAT. SPEC.	DRAWN	CHECKED	FINAL APPROVAL					
								GALVANIZED					PO-187					
								FINISH & SPEC. NO.		ELEC. DES. APP.	MECH. DES. APP.							