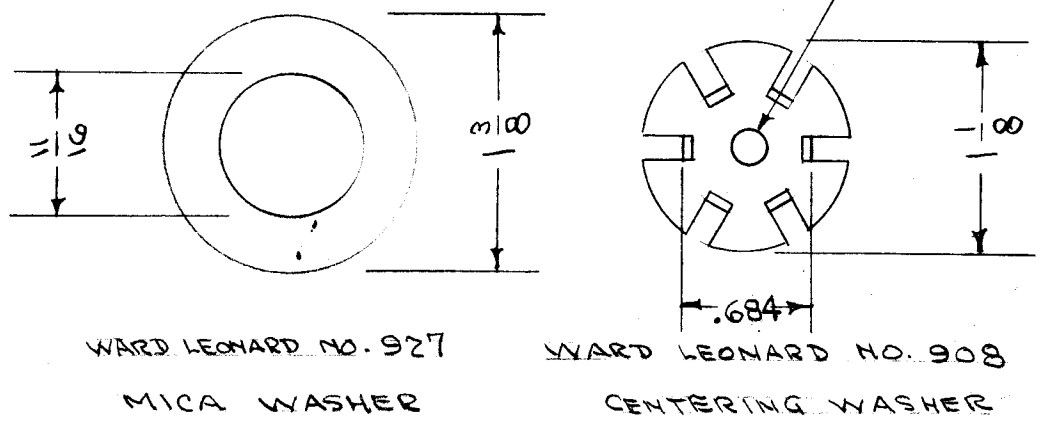
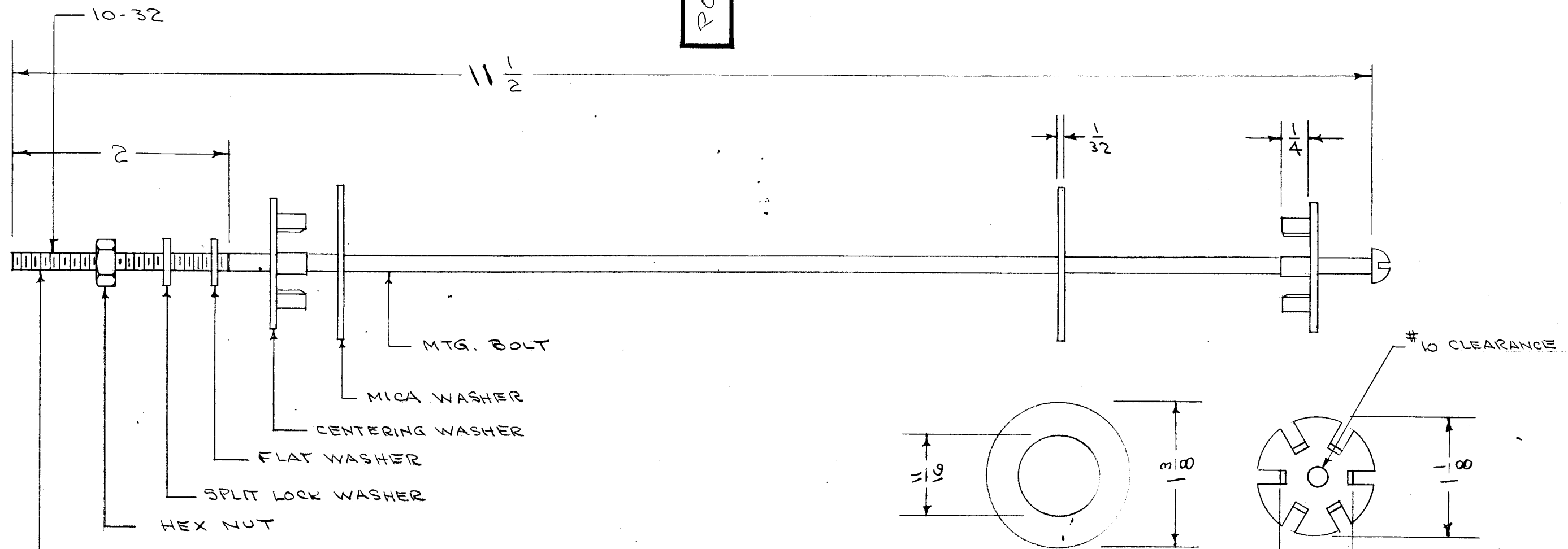


IF ANY CHANGE ANY TOLERANCE SPECIFIED ON THIS DRAWING NOTIFY THE PURCHASER PROMPTLY.

MAXIMUM ALLOWABLE TOLERANCES HAVE BEEN DETERMINED AND DEVIATIONS WILL BE CAUSE FOR REJECTION. REMOVE ALL BURRS AND SHARP EDGES

DIMENSIONS FOR REFERENCE ONLY.

PO-138



FOR ENTIRE ASSEMBLY ORDER WARD LEONARD NO. 767, FOR CORE TYPE "D". REFERENCE DWG. R.W-116. (W.L. # 200F)

REF: WARD LEONARD ELEC. CO.

REQ.	ITEM	PART NO.	DESCRIPTION	SYMBOL
	#		THE TECHNICAL MATERIEL CORP.	
		STOCK SIZE	MAMARONECK. NEW YORK	
	#	#	RESISTOR MOUNT	
		MATERIAL	BOLT TYPE	
		WEIGHT PER PC.		
		TYPE & TEMPER	ORD. 6-8-55	AWP. 10/26/53
		HEAT TREAT. SPEC.	DRAWN	ELEC. DES. APP. MECH. DES. APP.
		FINISH & SPEC. NO.	CHECKED	FINAL APPROVAL
			GPT-750	PO-138

ISSUE	ITEM	CHANGED FROM	DATE	CN. NO.	DRAFTS	CHECKER	ENG. APP.
TOLERANCES			SCALE:				
ALL OTHERS	DEC. DIM. ±	FRAC. DIM. ±	DRILL, PUNCH, COMMERCIAL STOCK SIZES AND MANUFACTURERS TOLERANCES ARE NOT INCLUDED.				
	ANGULAR DIM. ±						

1	RTP			6-8-55
REQ. PER UNIT	MODEL	PROJECT NO.	ASS'Y. NO.	DATE
USED ON				