

IF IT IS FOUND DESIRABLE TO CHANGE ANY TOLERANCE OR OTHER DETAIL SPECIFIED ON THIS DRAWING NOTIFY THE PURCHASER PROMPTLY.

PO-110

MAXIMUM ALLOWABLE TOLERANCES HAVE BEEN DETERMINED AND DEVIATIONS WILL BE CAUSE FOR REJECTION. REMOVE ALL BURRS AND SHARP EDGES

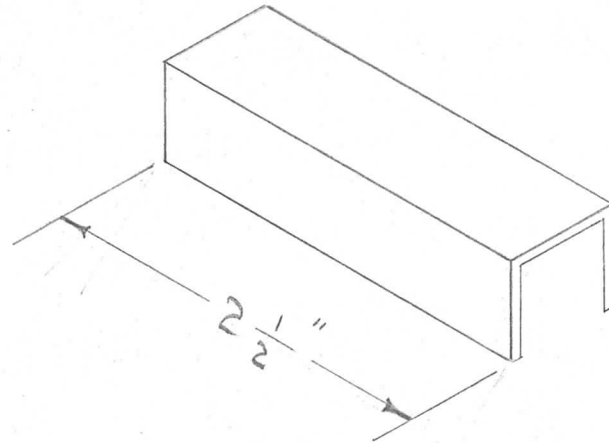
USED ON

MODEL

PROJECT NO.

ASS'Y. NO.

DATE



FURNISHED WITH TWO WIRE NUTS FOR INSULATING CONDUCTOR ENDS.

REF: NATIONAL ELECTRIC PROD. #CF2-680

REQ.	ITEM	PART NO.	DESCRIPTION	SYMBOL
			THE TECHNICAL MATERIEL CORP.	
STOCK SIZE			MAMARONECK. NEW YORK	
			END	
MATERIAL		WEIGHT PER PC.	BLANK	
TYPE & TEMPER			F.M. 7/6/53	
			DRAWN	MECH. DES. APP.
			ELEC. DES. APP.	
HEAT TREAT. SPEC.			CHECKED	
			FINAL APPROVAL	
FINISH & SPEC. NO.			PO-110	

ISSUE ITEM CHANGED FROM DATE CN. NO. DRAFTS CHECKER ENG. APP.

TOLERANCES

SCALE

ALL OTHERS

DEC. DIM. ±
FRAC. DIM. ±
ANGULAR DIM. ±

DRILL, PUNCH, COMMERCIAL STOCK SIZES AND MANUFACTURERS TOLERANCES ARE NOT INCLUDED.