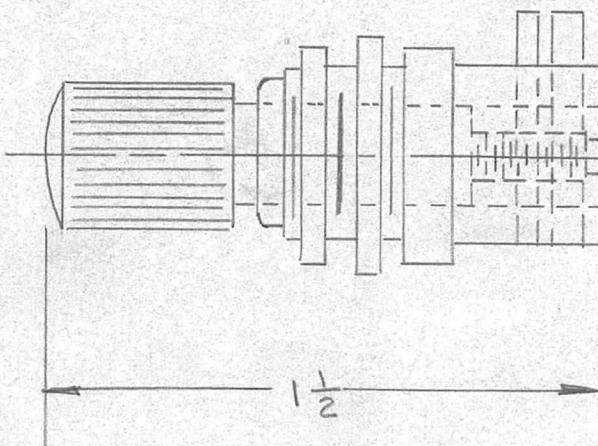
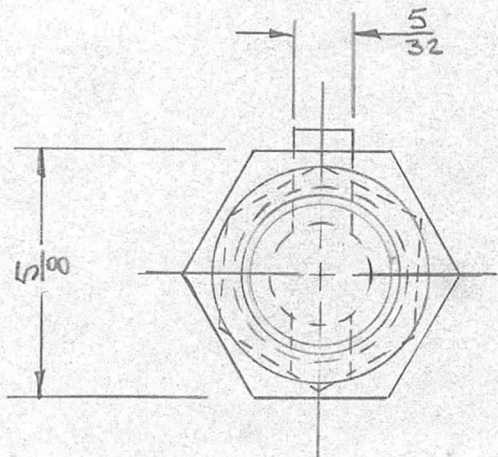


IF IT IS FOUND DESIRABLE TO CHANGE ANY TOLERANCE OR OTHER DETAIL SPECIFIED ON THIS DRAWING NOTIFY THE PURCHASER PROMPTLY.

PO-103

MAXIMUM ALLOWABLE TOLERANCES HAVE BEEN DETERMINED AND DEVIATIONS WILL BE CAUSE FOR REJECTION. REMOVE ALL BURRS AND SHARP EDGES

USED ON				
AMT. PER UNIT	MODEL	PROJECT NO.	ASS'Y. NO.	DATE
2	XFK		A-685	12-7-53



LOCATE  $\frac{5}{16}$ " BEYOND EDGE OF DIAL

NOTE:

SINGLE HOLE MOUNTING  
K16 D (-437)

REF: JAMES MILLEN CO. PART NO. 10054

REQ.	ITEM	PART NO.	DESCRIPTION	SYMBOL
	1		THE TECHNICAL MATERIEL CORP. MAMARONECK, NEW YORK	
		STOCK SIZE		
		BRASS	DIAL LOCK	
		MATERIAL	WEIGHT PER PC.	
		TYPE & TEMPER		
			JAID	A.J.J.
			DRAWN	ELEC. DES. APP. MECH. DES. APP.
			CDD	
		HEAT TREAT. SPEC.	CHECKED	FINAL APPROVAL
		NICKLE PLATE		PO-103
		FINISH & SPEC. NO.		

ISSUE	ITEM	CHANGED FROM	DATE	CN. NO.	DRAFTS	CHECKER	ENG. APP.
TOLERANCES			SCALE				
ALL OTHERS	DEC. DIM. $\pm$ FRAC. DIM. $\pm$ ANGULAR DIM. $\pm$		DRILL, PUNCH, COMMERCIAL STOCK SIZES AND MANUFACTURERS TOLERANCES ARE NOT INCLUDED.				