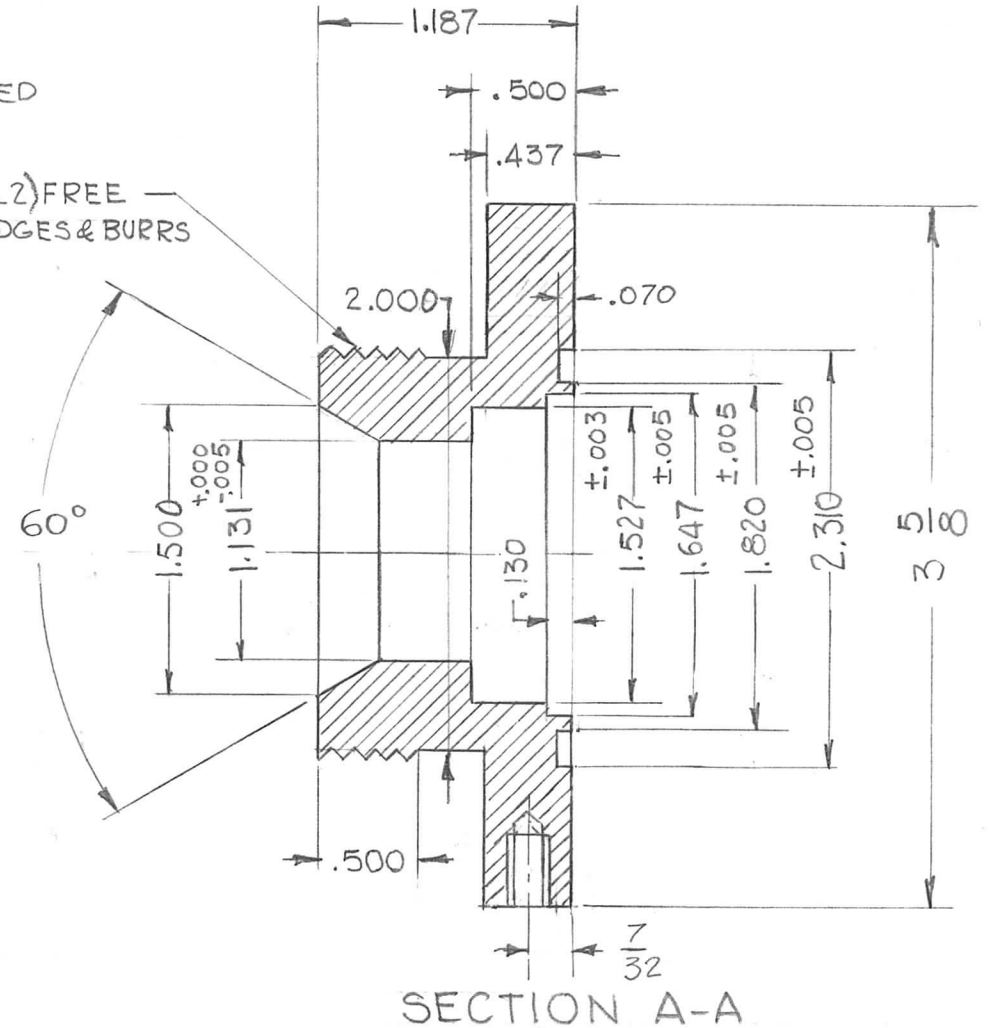
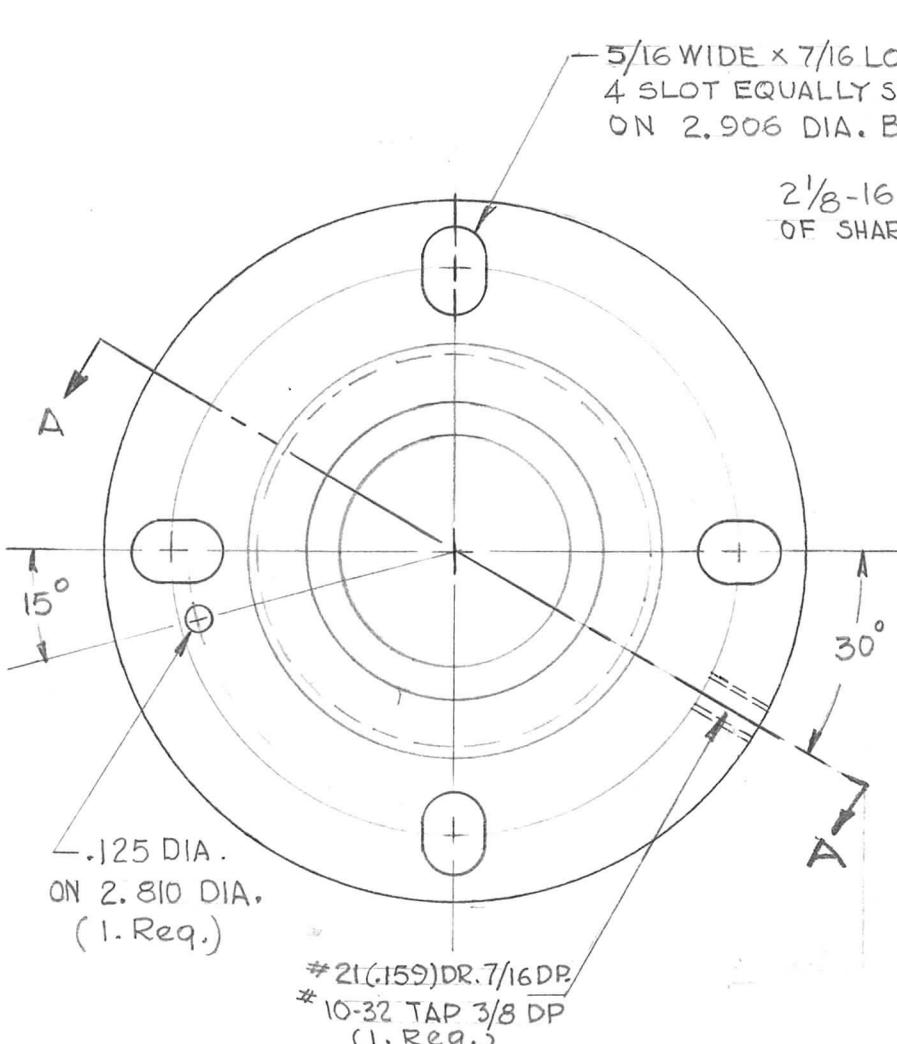


REQ. PER UNIT	USED ON			PM-990
	MODEL	ASS'Y. NO.	DATE	
1	TCA-85/EIA-51625		8-3-63	



REQ.	ITEM	PART NO.	A-MARTINEGO			DESCRIPTION	SYMBOL
			STOCK SIZE			THE TECHNICAL MATERIEL CORP. MAMARONECK, NEW YORK	
			BRASS			FLANGE, MOUNTING	
SYM	DESCRIPTION	DATE	CH. NO.	DRAFTS	CHECKER	ENG. APP.	MATERIAL
UNLESS OTHERWISE SPECIFIED DIMENSIONS ARE IN INCHES AND INCLUDE CHEMICALLY APPLIED OR PLATED FINISHES		SCALE		1:1			
DECIMALS	FRACTIONS	CODE	FREE MACHINING		G.D.L		FILE 9/19/63
.X ± .05	± 1/64		TYPE & TEMPER		HEAT TREAT. SPEC.		DRAWN
.XX ± .01	ANGLES		S105 BRIGHT CADMIUM PLATE				CHECKED
.XXX ± .005	± 0° 30'		FINISH & SPEC. NO.		ELEC. DES. APP.		MECH. DES. APP.
TOLERANCES							BP
							PM-990