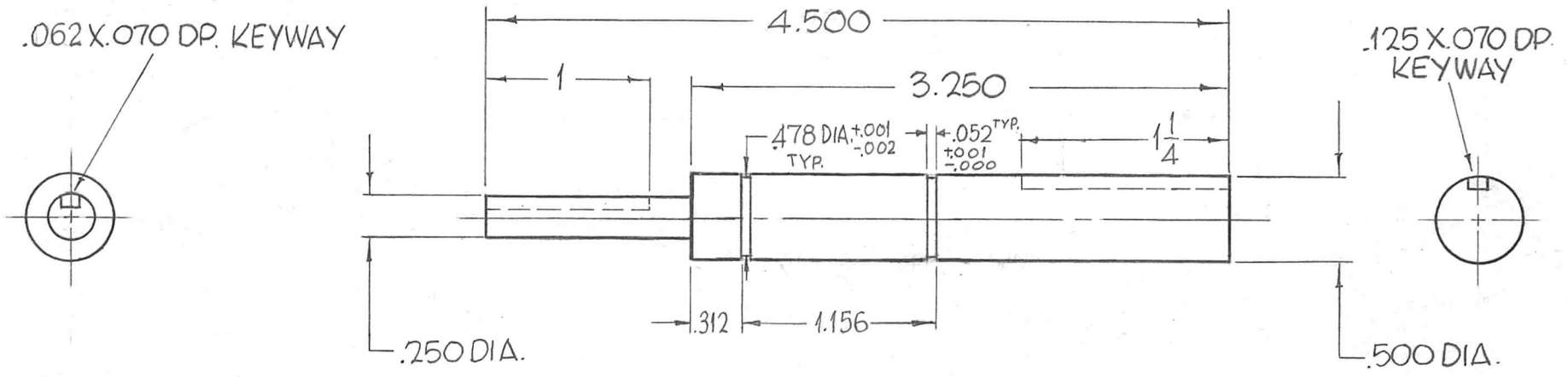


REQ. PER UNIT	USED ON		
	MODEL	ASS'Y. NO.	DATE
1	GPT-200K(A)-395	A-3702	8-21-63

PM-979 Ø



							REQ. ITEM	PART NO.	F. BUDETTI	DESCRIPTION	SYMBOL
							AS NOTED		THE TECHNICAL MATERIEL CORP.		
							STAINLESS STL		MAMARONECK, NEW YORK		
○	ORIGINAL RELEASE FOR PRODUCTION	4/3/64					MATERIAL		SHAFT,		
SYM	DESCRIPTION	DATE	CH. NO.	DRAFTS	CHECKER	ENG. APP.	303		COUNTER REDUCTION BOX II-1		
UNLESS OTHERWISE SPECIFIED DIMENSIONS ARE IN INCHES AND INCLUDE CHEMICALLY APPLIED OR PLATED FINISHES						SCALE	1" = 1"		John C Biele	aa gca	RJC 4-6-64
DECIMALS .X ± .05 .XX ± .01 .XXX ± .005	TOLERANCES	FRACTIONS ± 1/64 ANGLES ± 0° 30'	CODE				TYPE & TEMPER	HEAT TREAT. SPEC.	DRAWN	CHECKED	FINAL APPROVAL
			A				S-104-PASSIVATE		OB AB	AB	PM-979 Ø
							FINISH & SPEC. NO.	ELEC. DES. APP.		MECH. DES. APP.	