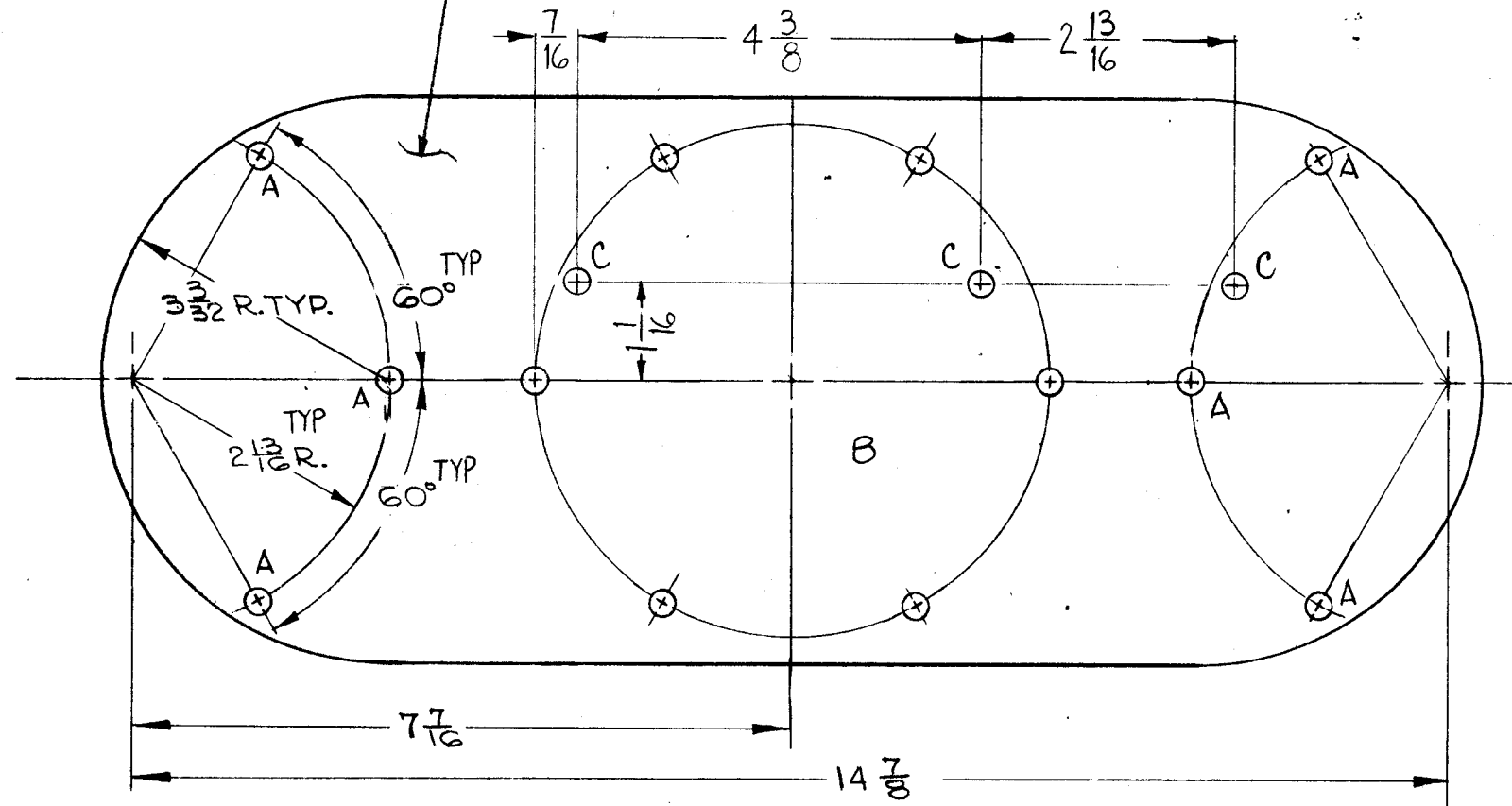


PM-972 0

THE CONTENTS OF THIS DRAWING ARE THE EXCLUSIVE PROPERTY OF THE TECHNICAL MATERIEL CORP. ITS UNAUTHORIZED USE OR REPRODUCTION IN WHOLE OR IN PART IS STRICTLY FORBIDDEN.

ROUND ALL EDGES

METAL STAMP TMC PART NO. 1/8 HIGH GOTHIC.



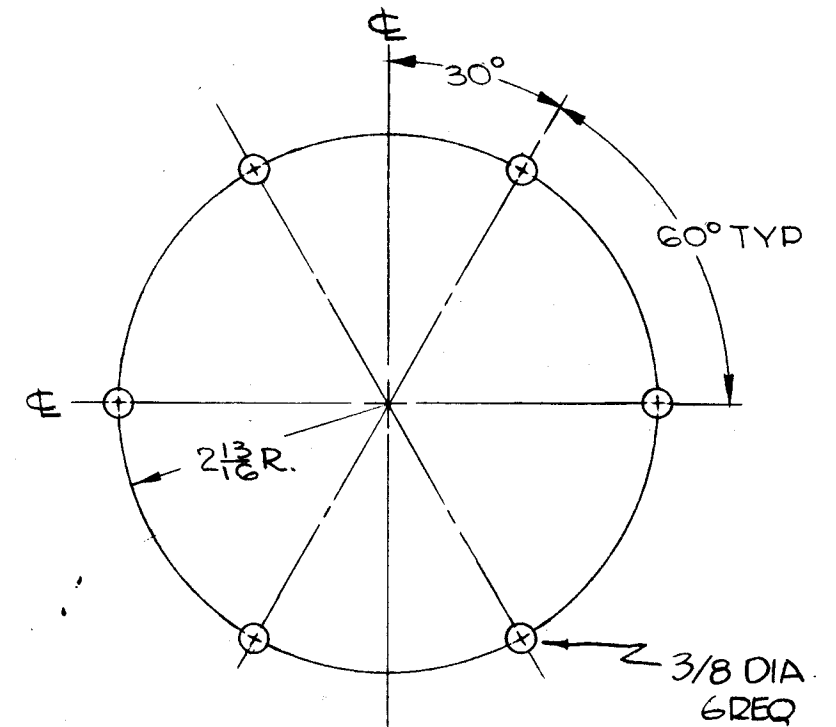
HOLE

A - 3/8 DIA

6 REQ

C - 9/32 DIA.

3 REQ.



'B' DETAIL - 1 REQ

~NOTE~
POLISH BEFORE PLATING

0	ORIGINAL RELEASE FOR PROD.	3/23/64				
SYM	DESCRIPTION	DATE	CH. NO.	DRAFTS	CHECKER	ENG. APP.
	UNLESS OTHERWISE SPECIFIED: A	SCALE: 1:2 (DO NOT SCALE)				
DIMENSIONS ARE IN INCHES		MAXIMUM ALLOWABLE TOLERANCES HAVE BEEN DETERMINED AND ANY DEVIATIONS WILL BE CAUSE FOR REJECTION.				
TOLERANCES ON FRACTIONS ± 1/64		DECIMALS ± .005		ANGLES ± 1/20		
		REMOVE ALL BURRS AND SHARP EDGES				

1	GPT-200K	AX-395	A-2823	8-29-63
REQ. PER UNIT	MODEL	SECTION	ASS'Y. NO.	DATE
	USED ON			

REQ.	ITEM	PART NO.	F. BUDETTI DESCRIPTION	SYMBOL
	1/8 THICK		THE TECHNICAL MATERIEL CORP.	
	STOCK SIZE		MAMARONECK, NEW YORK	
	ALUMINUM		PLATE, CAPACITOR	
	MATERIAL		INTERCONNECT	
	5052-H32		<i>Chas. R. ...</i>	
	TYPE & TEMPER	HEAT TREAT. SPEC.	DRAWN	CHECKED
	8245-SILVER PLATE .0003		<i>...</i>	<i>...</i>
	FINISH & SPEC. NO.		ELEC. DES. APP.	MECH. DES. APP.
			PM-972	0