

THE CONTENTS OF THIS DRAWING ARE THE EXCLUSIVE PROPERTY OF THE TECHNICAL MATERIEL CORP. ITS UNAUTHORIZED USE FOR REPRODUCTION IN WHOLE OR IN PART IS STRICTLY FORBIDDEN.

REQ. PER UNIT

2

MODEL

GPT-200K

USED ON

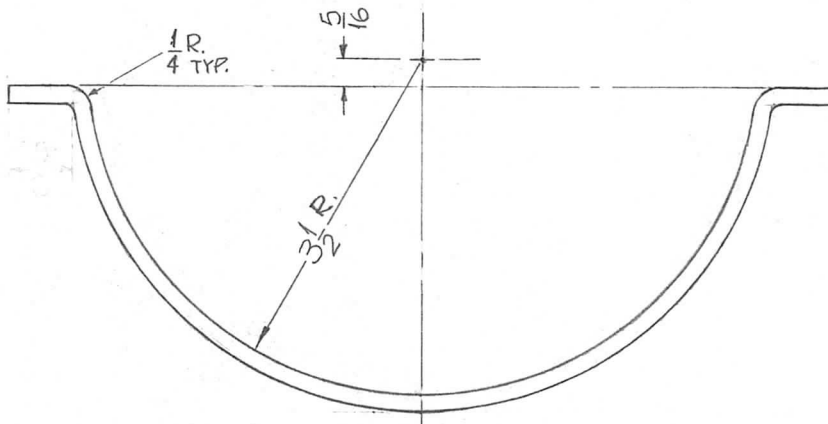
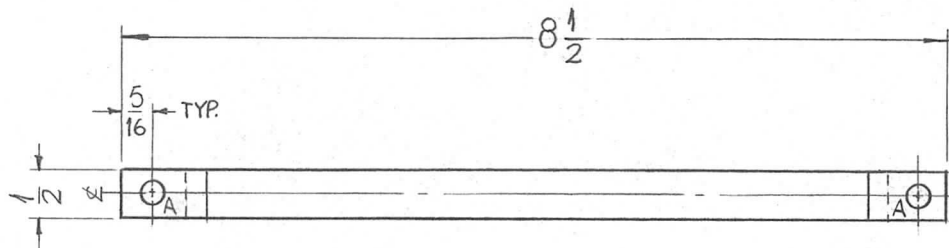
ASS'Y. NO.

AX-393

DATE

8-5-63

PM-970



HOLES:

A ~ 15/64 DIA. — 2 REQ.

NOTE:

USE 1/16 RADIUS ON ALL EDGES, AND CORNERS.

REQ.	ITEM	PART NO.	F. BUDETTI DESCRIPTION				SYMBOL
		3/16 THICK	THE TECHNICAL MATERIEL CORP.				
		STOCK SIZE	MAMARONECK, NEW YORK				
		COPPER	CLAMP, GRID CONTACT				
		MATERIAL					
		HOT-ROLLED	SRG	aa	RAC		
		TYPE & TEMPER	HEAT TREAT. SPEC.		DRAWN	CHECKED	FINAL APPROVAL
		S-245 SILVER PLATE			SRG	aa	PM-970
		FINISH & SPEC. NO.	ELEC. DES. APP.		MECH. DES. APP.		

UNLESS OTHERWISE SPECIFIED DIMENSIONS ARE IN INCHES AND INCLUDE CHEMICALLY APPLIED OR PLATED FINISHES		SCALE	1/2" = 1"			
DECIMALS .X ± .05 .XX ± .01 .XXX ± .005	TOLERANCES	FRACTIONS ± 1/64 ANGLES ± 0° 30'	CODE	A		