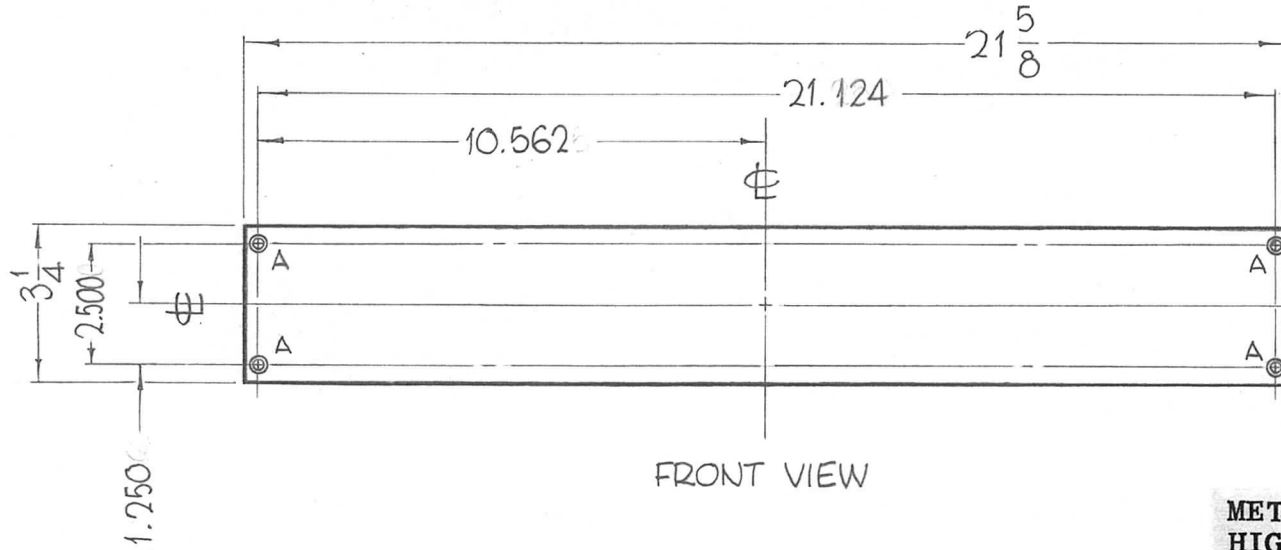


THE CONTENTS OF THIS DRAWING ARE THE EXCLUSIVE PROPERTY OF THE TECHNICAL MATERIEL CORP. ITS UNAUTHORIZED USE FOR REPRODUCTION IN WHOLE OR IN PART IS STRICTLY FORBIDDEN.

REQ. PER UNIT	USED ON		
	MODEL	ASS'Y. NO.	DATE
2	GPT-200K (AX-395)	A-3238	6-20-63

PM-940 ~~Ø~~



HOLES REQ. 4  
 A-DRILL & C'SINK 1/4-20 FHS.

METAL STAMP TMC PART NO. 1/8 HIGH GOTHIC ON REAR (PM-940-0)

							REQ. ITEM	PART NO.	F. BUDETTI	DESCRIPTION	SYMBOL	
								1/4 THICK		THE TECHNICAL MATERIEL CORP.		
								STOCK SIZE		MAMARONECK, NEW YORK		
Ø	ORIGINAL RELEASE FOR PRODUCTION	3-3-64						ALUMINUM		PLATE, SUPPORT, TOP		
SYM	DESCRIPTION	DATE	CH. NO.	DRAFTS	CHECKER	ENG. APP.		MATERIAL				
	UNLESS OTHERWISE SPECIFIED DIMENSIONS ARE IN INCHES AND INCLUDE CHEMICALLY APPLIED OR PLATED FINISHES	SCALE	1/4" = 1"				2024-T4		John C. Biele	aa 908	RDC 3-30-64	
DECIMALS .X ± .05 .XX ± .01 .XXX ± .005	TOLERANCES	FRACTIONS ± 1/64 ANGLES ± 0° 30'	CODE	A				S404-IRIDITE, 14-2 AL COAT		98 AH	132	PM-940
							FINISH & SPEC. NO.		ELEC. DES. APP.	MECH. DES. APP.	<del>Ø</del>	