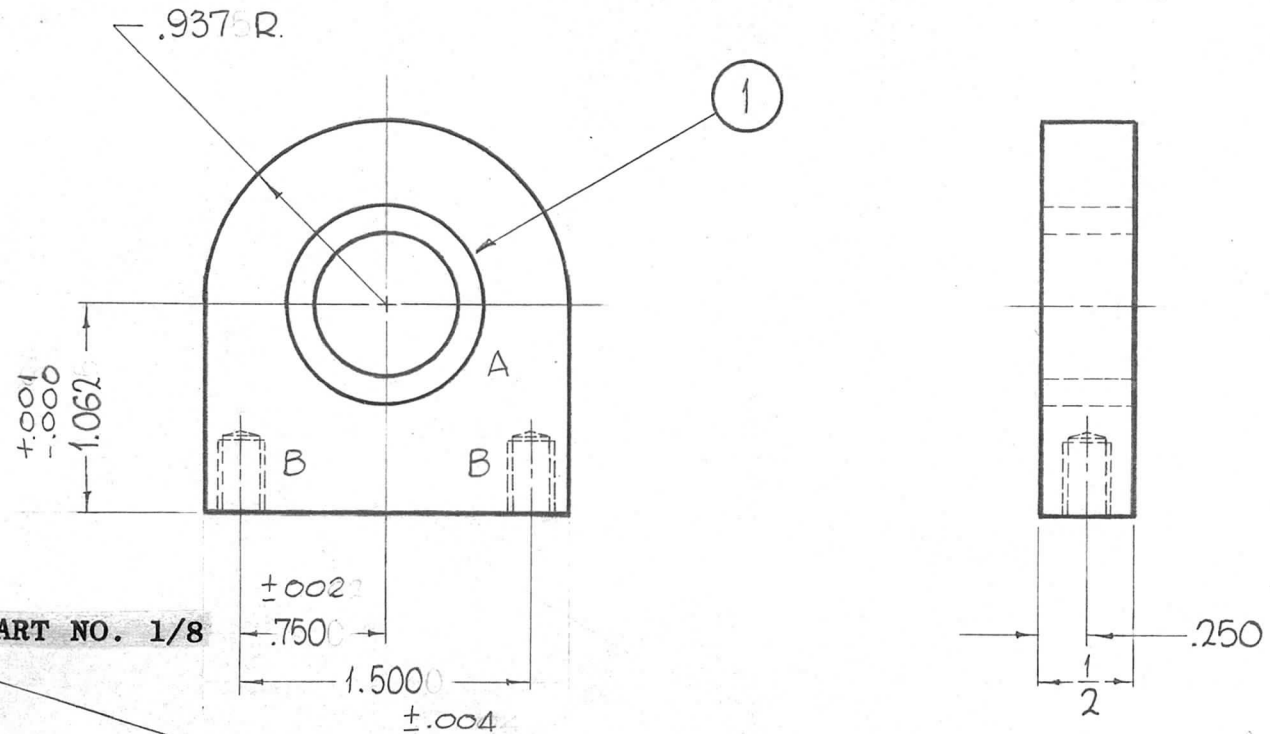


THE CONTENTS OF THIS DRAWING ARE THE EXCLUSIVE PROPERTY OF THE TECHNICAL MATERIEL CORP. ITS UNAUTHORIZED USE FOR REPRODUCTION IN WHOLE OR IN PART IS STRICTLY FORBIDDEN.

REQ. PER UNIT	USED ON		
	MODEL	ASS'Y. NO.	DATE
5	GPT-200K (AX-395)	A-3235	6-19-63
8	GPT-200K (AX-395)	A-3238	6-19-63
4	GPT-200K	A-3136	6-19-63

PM-936 ~~Ø~~

HOLES - A - 1.008 $\pm .001$ DIA. THRU 1 REQ
 B - DRILL & TAP 1/4-20 X 3/8 DP. 2 REQ.



METAL STAMP TMC PART NO. 1/8 HIGH GOTHIC

PM-936-0

1	1	BB-123-1	BEARING, CYLINDRICAL, OIL IMPREG.	
REQ.	ITEM	PART NO.	F. BUDETTI DESCRIPTION	SYMBOL
		1/2 THICK	THE TECHNICAL MATERIEL CORP. MAMARONECK, NEW YORK	
		STOCK SIZE		
		ALUMINUM		SUPPORT, SHAFT GUIDE
		MATERIAL		
		2024-T4	John C. Biele	aa 906 RDC 3-30-64
		S-404-IRIDITE, 14-2, AL COAT	DRAWN	CHECKED
		FINISH & SPEC. NO.	ELEC. DES. APP.	MECH. DES. APP.
				PM-936 Ø

○ ORIGINAL RELEASE FOR PRODUCTION	3-1-64					
SYM	DESCRIPTION	DATE	CH. NO.	DRAFTS	CHECKER	ENG. APP.
	UNLESS OTHERWISE SPECIFIED DIMENSIONS ARE IN INCHES AND INCLUDE CHEMICALLY APPLIED OR PLATED FINISHES	SCALE	#			
DECIMALS .X ± .05 .XX ± .01 .XXX ± .005	TOLERANCES	FRACTIONS ± 1/64 ANGLES ± 0° 30'	CODE	A		