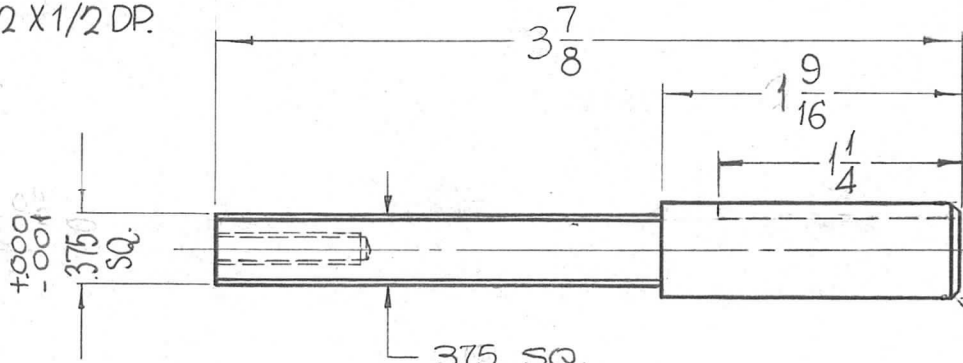
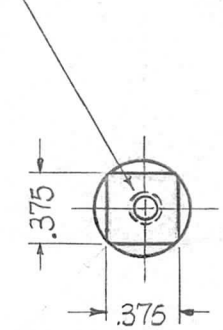


THE CONTENTS OF THIS DRAWING ARE THE EXCLUSIVE PROPERTY OF THE TECHNICAL MATERIEL CORP. ITS UNAUTHORIZED USE FOR REPRODUCTION IN WHOLE OR IN PART IS STRICTLY FORBIDDEN.

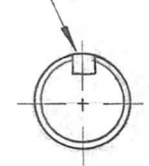
REQ. PER UNIT	USED ON		
	MODEL	ASS'Y. NO.	DATE
1	GPT-200K	AX-395	6-17-63

PM-931 ~~Ø~~

DRILL & TAP 6-32 X 1/2 DP.



.125 X .070 DP. KEYWAY



1/16 X 45° CHAMFER

X 45° CHAMFER

							REQ. ITEM	PART NO.	F. BUDETTI	DESCRIPTION	SYMBOL
							AS NOTED			THE TECHNICAL MATERIEL CORP.	
							STOCK SIZE			MAMARONECK, NEW YORK	
Ø	ORIGINAL RELEASE FOR PRODUCTION	3-6-64					STAINLESS STEEL			SHAFT,	
SYM	DESCRIPTION	DATE	CH. NO.	DRAFTS	CHECKER	ENG. APP.	MATERIAL			BANDSWITCH RELEASE, FRONT	
	UNLESS OTHERWISE SPECIFIED DIMENSIONS ARE IN INCHES AND INCLUDE CHEMICALLY APPLIED OR PLATED FINISHES	SCALE					303		John C Biele	QA RJC 4-7-64	
	DECIMALS .X ± .05 .XX ± .01 .XXX ± .005	TOLERANCES	FRACTIONS ± 1/64 ANGLES ± 0° 30'	CODE A			TYPE & TEMPER	HEAT TREAT. SPEC.	DRAWN	CHECKED	FINAL APPROVAL
							S104-PASSIVATE		DR		PM-931
							FINISH & SPEC. NO.		ELEC. DES. APP.	MECH. DES. APP.	